

RCO-1000

Compact fanless embedded system with Intel Atom E3845 or Celeron J1900, DVI-I, 2x COM



FEATURES

- Intel® Atom™ Processor E3845, 1.91GHz or Intel® Celeron® J1900, 2.0GHz
- 1x 204-pin DDR3L SODIMM. Max up to 8GB
- Dual independent display supported by 1x DVI-I
- 2x Intel® GbE supporting Wake-on-LAN and PXE
- 1x mSATA, 2x SIM socket
- 2x Full-size mini PCIe for communication or expansion modules
- 2x RS-232/422/485, 1x USB 3.0, 3x USB 2.0, TPM 2.0
- 9 to 48VDC wide range power input supporting AT/ATX mode
- -25°C to 70°C extended operating temperature

SPECIFICATIONS

System

Processor	Intel Atom E3827, Dual Core, 1MB Cache, 1.75 GHz Intel Atom E3845, Quad Core, 2MB Cache, 1.91 GHz Intel Celeron J1900, Quad Core, 2MB Cache, 2.0 GHz
System Chipset	SoC integrated
System Memory	1 x 204-pin DDR3L SO-DIMM sockets 1066/1333 MT/s, Non-ECC, unbuffered SDRAM Max. 8GB
Graphics	Intel HD Graphics
Ethernet	Intel I210-AT (Support Wake-on-LAN and PXE)
TPM	TPM 2.0 Support

Display

VGA	Yes (by optional split cable)
DVI	1x DVI-I
Multiple Display	Dual Display

Storage

mSATA	1x mSATA (shared by 1x Mini PCIe)
SIM Socket	2x External SIM socket

Expansion

Mini PCI Express	2x Full-size Mini PCIe
------------------	------------------------

I/O

Front I/O	1 x USB 3.0 3x USB 2.0 2 x GbE (RJ-45) 2 x SIM sockets with screwed cover 2 x Antenna cutouts with covers Line Out & Mic-In Power button Remote power switch AT/ATX selection switch Power and HDD LED WDT LED
-----------	--

Back I/O	1 x DVI-I DC connector (Phoenix 3-position connector jack) 2 x RS-232/422/485
----------	--

Expansion	2 x mini-PCIe (full-size)
-----------	---------------------------

Display Output	1 x DVI-I (VGA by optional split cable)
----------------	---

Operating System

Windows	Windows 10, Windows 8.1, WES8.1, Windows 7, WES7
Linux	Linux kernel 3.X

Power

Power Management	ACPI 5.0a compliant
Power Mode	AT/ATX selectable
Power Supply Voltage	9 ~ 48 VDC
Power Connector	3-pin Terminal Block
Power Protection	Over-Voltage Protection (OVP) Over-Current Protection (OCP) Reverse Polarity Protection (RPP)

Environment

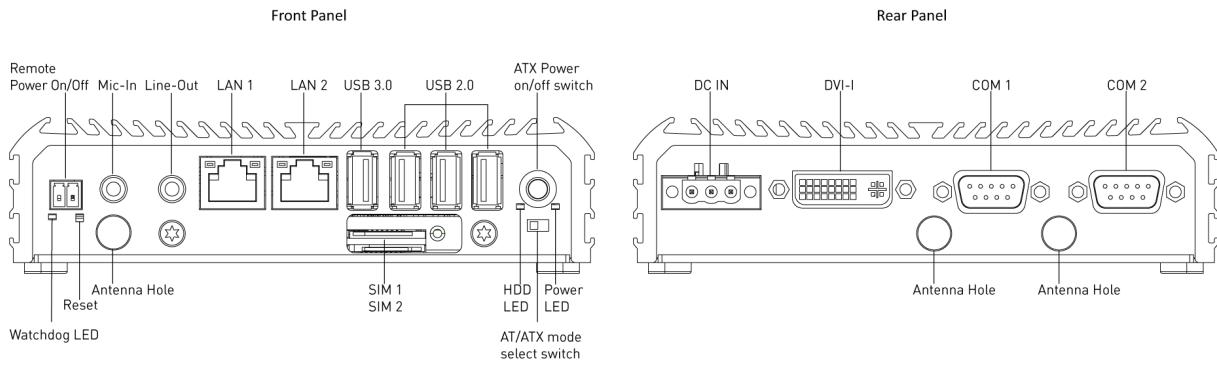
Operating Temperature	-25 °C ~ 70 °C (-13 °F ~ 158 °F)
Storage Temperature	-30 °C ~ 85 °C (-22 °F ~ 185 °F)
Relative Humidity	10% to 95% (non-condensing)
Vibration	5 Grms, 5 ~ 500 Hz, 0.5 hr/axis (SSD) 1 Grms, 5 ~ 500 Hz, 0.5 hr/axis (HDD)
Shock	50G, half-sine, 11 ms (SSD)

Physical

Construction	Extruded Aluminum with Heavy Duty Metal
Dimension	150 (W) x 105 (D) x 37 (H) mm
Weight	0.69 kg

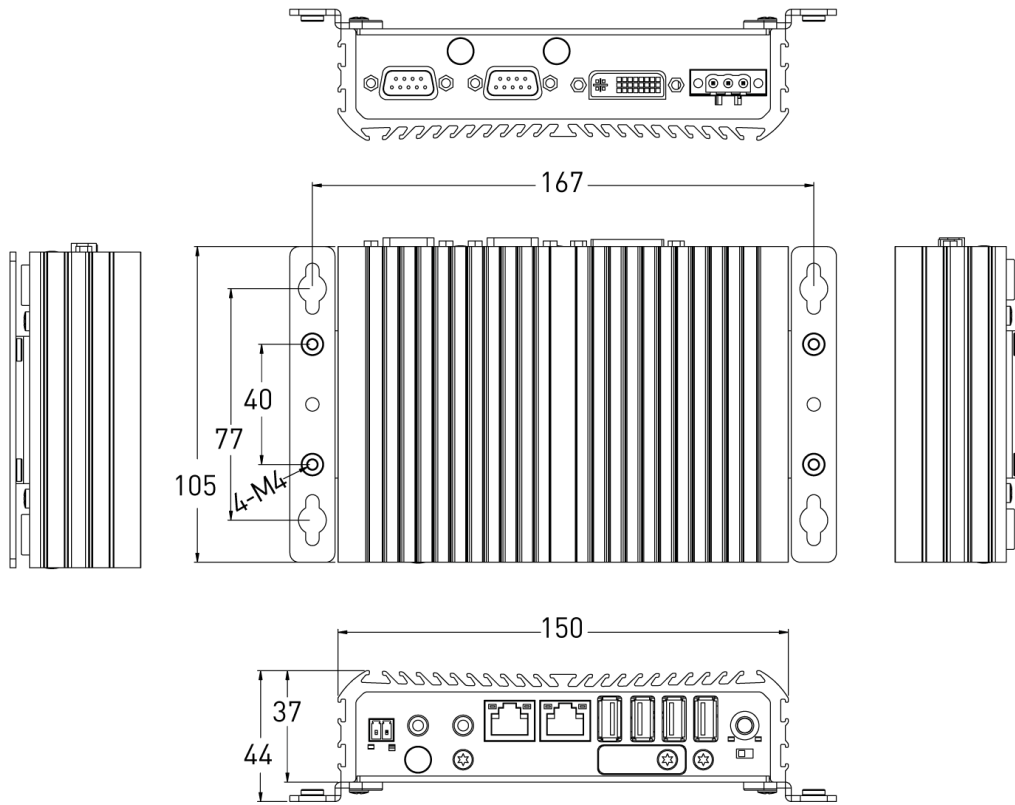
* All specifications and photos are subject to change without notice

EXTERNAL I/O MECHANICAL LAYOUT



DIMENSIONS

Unit: mm



AVAILABLE MODELS

MODEL NO.	DESCRIPTION
RCO-1000-E3845	Compact fanless embedded system with Intel® E3845 CPU, 1x DVI-I, 2x COM
RCO-1000-J1900	Compact fanless embedded system with Intel® J1900 CPU, 1x DVI-I, 2x COM

OPTIONAL ACCESSORIES

MODEL NO.	DESCRIPTION
SFICBL022	Power Cord, 3-pin US Type, 180cm
3-SIDE-0001	RCO-1000 Series Side Mount Kit
3-VESA-0003	RCO-1000 Series VESA Mount Kit
3-DINR-0003	DIN-Rail Mounting Kit

PACKING LIST

- 1x RCO-1000 Series Embedded System
- 1x Utility DVD driver
- 1x Wall mount kit
- 1x Accessory kit
- 1x DVI to VGA adapter