



In-Vehicle Computer

ACO-3000-BRD-U

In-Vehicle Computer with 5th Gen Intel® Core™ Processor



Features

- 9~48 VDC input with ignition delay and battery voltage monitoring
- Intel Core™ i5-5350U, i3-5010U, or Celeron® 3765U
- 1x SO-DIMM socket, DDR3L-1066/1333, up to 8GB
- DVI-I and DP
- 4x COM, 2x USB 3.0, 2x USB 2.0, 2x GbE
- 2x mini-PCIe (2x mSATA auto-detect)
- 1x Universal I/O slot
- Optional 4x GbE in RJ-45 or M12 connectors, with 802.3at PoE option
- 2x external SIM slots
- -40 °C ~ 70 °C operating temperature
- 5 Grms vibration, 50G shock (with SSD)
- E-Mark and EN-50121-3-2 certified
- Over voltage/current, reverse polarity protection

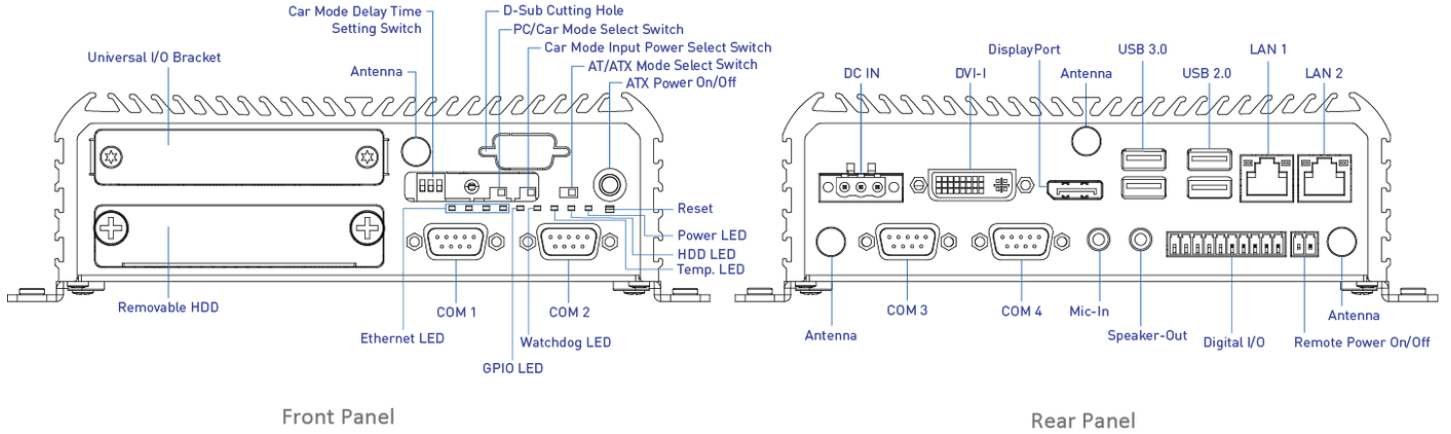
Specifications

System	
Processor	Intel® Core™ i5-5350U Processor, Dual Core, 3MB Cache, up to 2.9 GHz Intel® Core™ i3-5010U Processor, Dual Core, 3MB Cache, 2.1 GHz Intel® Celeron® Processor 3765U, Dual Core, 2MB Cache, 1.9 GHz
System Chipset	SoC integrated
LAN Chipset	GbE1: Intel® I210-AT (Support Wake-on-LAN and PXE) GbE2: Intel® I218-LM (Support Wake-on-LAN and PXE)
Audio Codec	Realtek ALC888S
System Memory	1x 204-Pin DDR3L 1333/1600MHz SO-DIMM Max. up to 8GB
BIOS	AMI 128Mbit SPI BIOS
Watchdog	Software Programmable Supports 1~255 sec. System Reset
Display	
Display Port	1x DP
DVI	1x DVI-I
Multiple Display	Triple Display
VGA	Yes (by optional split cable)
Storage	
mSATA	2x mSATA (shared by 2x Mini PCIe)
SIM Socket	2x External SIM socket
SSD/HDD	1x Internal 2.5" SATA HDD Bay 1x Hotswap 2.5" SATA HDD Bay Support RAID 0, 1, 5, 10
Expansion	
Mini PCIe	2x Full-size Mini PCIe
Network Modules	4-port GbE modules with Intel® I210-AT Chipset RJ-45 or M12 connector with PoE option (Occupy 1 Universal I/O slot)
I/O	
Audio	1x Mic-in, 1x Line-out
COM	4x RS-232/422/485
DIO	4 in / 4 out (Isolated)
LAN	2x GbE RJ45
Universal I/O Bracket	2x Universal I/O Bracket
USB	2x USB 3.0, 2x USB 2.0
Others	4x WiFi Antenna Holes 1x Power Switch (front), 1x AT/ATX Switch (front) PC/Vehicle Mode, Vehicle Voltage, Delay Off Time (front) 1x Remote Power On/Off (rear)
Operating System	
Windows	Windows 10, Windows 8.1, WES8.1, Windows 7, WES7

Linux	Linux kernel 3.X
Power	
Power Adapter	Optional External Power Adapter, 60W, 120W, or 220W
Power Mode	Vehicle/PC mode select
Power Ignition Sensing	Delay On/Off Battery Voltage Monitoring (12V/24V)
Power Supply Voltage	9 ~ 48 VDC
Power Connector	3-pin Terminal Block
Power Protection	Over-Voltage Protection (OVP) Over-Current Protection (OCP) Reverse Polarity Protection (RPP)
Environment	
Operating Temperature	-40°F ~ 158°F (-40°C ~ 70°C)
Storage Temperature	-40°F ~ 185°F (-40°C ~ 85°C)
Relative Humidity	10% to 95% (non-condensing)
Certification	CE, FCC Class A, E-Mark, EN50121-3-2
Vibration	5 Grms, 5 ~ 500 Hz, 0.5 hr/axis (SSD) 1 Grms, 5 ~ 500 Hz, 0.5 hr/axis (HDD)
Shock	50G, half-sine, 11 ms (SSD)
Physical	
Dimensions	7.3" x 7.6" x 2.2" (185 x 197 x 57.4 mm)
Weights	4.6 lb (2.1 kg)
Construction	Extruded aluminum with heavy duty metal
Mounting Options	Wall Mount / Din Rail Mounting (Optional)

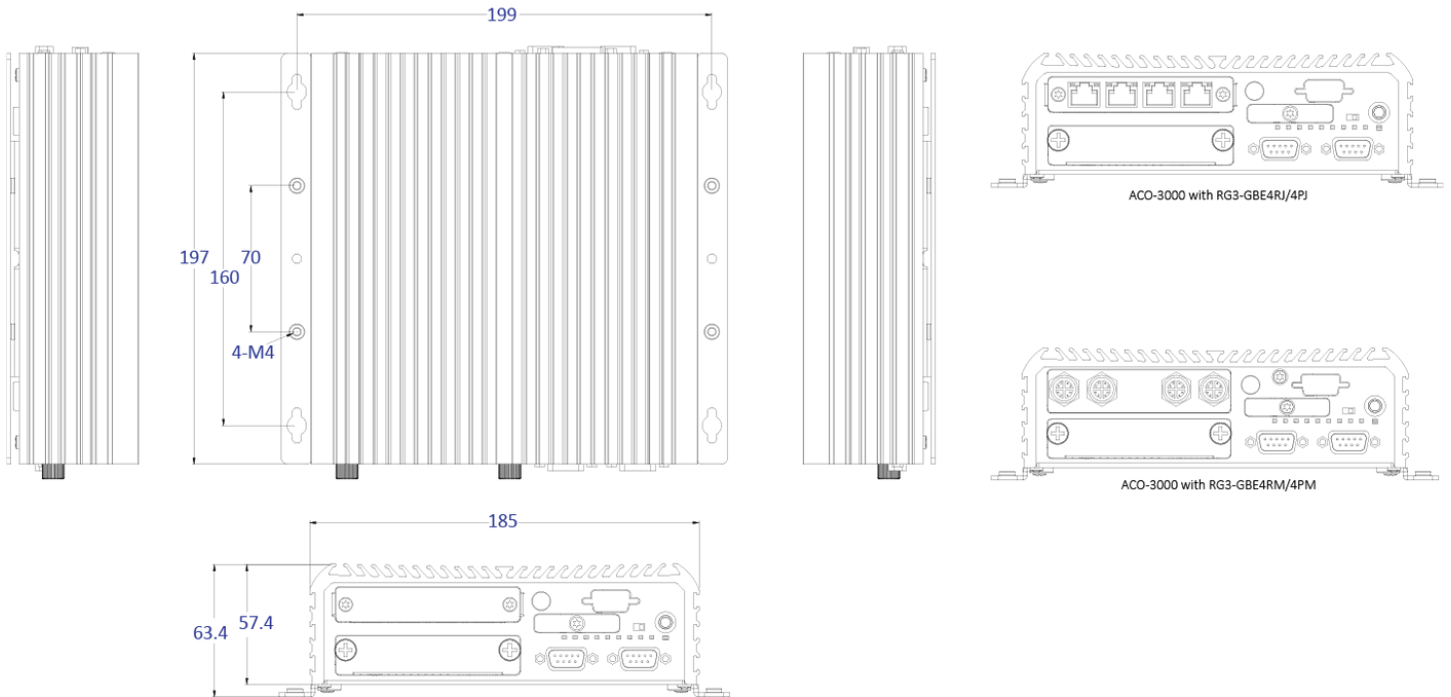
* All specifications and photos are subject to change without notice.

External I/O Mechanical Layout



Dimension

Unit: mm



Available Models

Model No.	Description
ACO-3000-BRD-3765U-P	In-Vehicle Computer with 5th Gen Intel® Celeron i3-3765U Processor
ACO-3000-BRD-5010U-P	In-Vehicle Computer with 5th Gen Intel® Core™ i5-5010U Processor
ACO-3000-BRD-5350U-P	In-Vehicle Computer with 5th Gen Intel® Core™ i5-5350U Processor

Optional Accessories

Model No.	Description
1-E09A22801	Adapter AC/DC 24V/11.67A 280W with 3pin Terminal Block Plug 5.0mm Pitch
1-E09A22102	Adapter AC/DC 24V 9.2A 220W with 3pin Terminal Block Plug 5.0mm Pitch
999930	Power Cord, 3-pin US Type, 180cm
1-TPCD00002	Power Cord, European Type, 180cm
1-TPCD00001	Power Cord, 3-pin UK Type, 180cm

Packing List

- 1x ACO-3000-BRD-U
- 1x Utility DVD Driver
- 1x Wall Mount Kit
- 1x Accessory Kit
- 1x DVI to VGA Adapter

Exports And Tariff Codes

ECCN	5A992.c
HTS	8471.50.0150
Schedule B	84.71