



ALL IN ONE TOUCHSCREEN COMPUTER

AIO-W221-ASL-3L

21.5" Full HD Capacitive All IN One Touchscreen Computer with Intel® Alder Lake N97 / Atom® x7835RE Processor, 3x 2.5GbE LAN



Features

- 21.5" (16:9) Full HD All-in-One Touchscreen Computer
- World Class Certifications for Safety and Reliability: CE/FCC/CB/UL/UKCA/IC
- Front IP65 Rating for protection against water and dust
- Scratch Resistant 7H Glass Hardness
- Versatile Display Outputs; HDMI and DP
- MTBF 50,000 Hours

Specifications

Display

| | |
|---------------------------------|------------------------------|
| IP Rating | Front IP65 |
| LCD Size | 21.5" (16:9) |
| Max. Resolution | 1920 x 1080 (Full HD) |
| Brightness (cd/m ²) | 500 nits |
| Contrast Ratio | 1000:1 |
| LCD Color | 16.7M |
| Pixel Pitch (mm) | 0.248(H) x 0.248(V) |
| Viewing Angle | 89/89/89/89 (Typ.) (CR>=10) |
| Backlight MTBF | 50,000 Hours (LED Backlight) |

Touch

| | |
|------------------|----------------------------|
| Touch Type | Projected Capacitive Touch |
| Surface Hardness | 7H / IK07 |

System

| | |
|----------------|---|
| Processor | <ul style="list-style-type: none"> • 12th Gen Intel® Alder Lake-N Processor N97, 6M Cache, up to 3.60 GHz, 4 core 12W • Intel® Atom® x7835RE Processor 6M Cache, up to 3.60 GHz, 8 core 12W |
| System Chipset | SoC integrated |
| System Memory | 1x 262-Pin DDR5 4800MHz SO-DIMM. Max. up to 16GB (Non-ECC) |
| LAN Chipset | GbE1~3: Intel i226V 2.5GbE LAN PXE Support |
| Audio Codec | Realtek ALC897 High Definition Audio CODEC |
| BIOS | AMI uEFI 256MB SPI flash |
| Watchdog | Software Programmable Supports 1~255 sec. System Reset |
| TPM | TPM2.0 |

Storage

| | |
|-----------|--|
| M.2 B Key | 128G M.2 B Key NVMe SSD (Default) |
| SATA | 1x SATA 3.0 6Gb/s port Support AHCI (Option) |

Expansion

| | |
|-----|---|
| M.2 | 1x M.2 E Key Support WiFi 6E/Bluetooth (Option) 1x M.2 B Key Support NVMe/4G/5G (Option) |
|-----|---|

I/O

| | |
|-------------|-------------------------------------|
| DisplayPort | 1x DP 1.4a up to 4096x2304 @60Hz |
| HDMI | 1x HDMI™ 1.4b up to 3840x2160 @30Hz |
| COM | 2x RS-232/422/485 |
| USB | 2x USB 3.2 Gen 2 (10 Gbps) |
| LAN | 3x 2.5GbE LAN |
| SIM | 1x Dual Nano SIM |
| Others | Support up to 6x Antenna (optional) |

Operating System

| | |
|---------|-------------------------|
| Windows | Windows 10 / Windows 11 |
| Linux | Linux Ubuntu 22.04 |

Power

| | |
|---------------|-----------------------|
| Power Adapter | 60W (12V 5A, Default) |
|---------------|-----------------------|

| | |
|----------------------|---------------------|
| Power Supply Voltage | DC 12~36V |
| Power Connector | DC Jack 5.5mm/2.5mm |

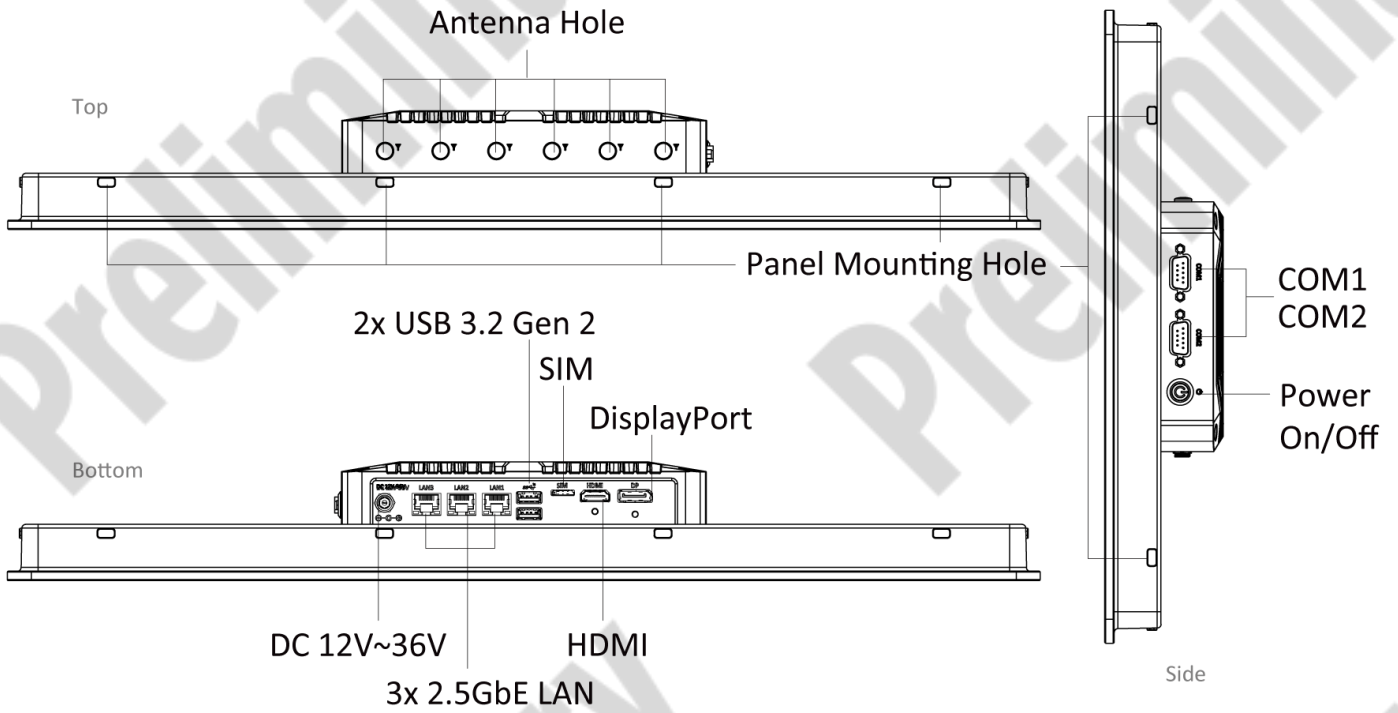
Environment

| | |
|-----------------------|---|
| Operating Temperature | -10°C to 50°C |
| Storage Temperature | -20°C to 60°C |
| Relative Humidity | 10% to 80% (non-condensing) |
| Certification | CE, FCC Class A, CB, UL Listed, UKCA, IC |
| Vibration | IEC60068-2-64:2008 With SSD: 3 Grms (5 - 500 Hz, 0.5 hr/axis) Designed to comply with MIL-STD-810G Method 514.7 Procedure I |
| Shock | IEC60068-2-27:2008 With SSD: 20G half-sin 11ms Designed to comply with MIL-STD-810G Method 516.7 Procedure I |

Physical

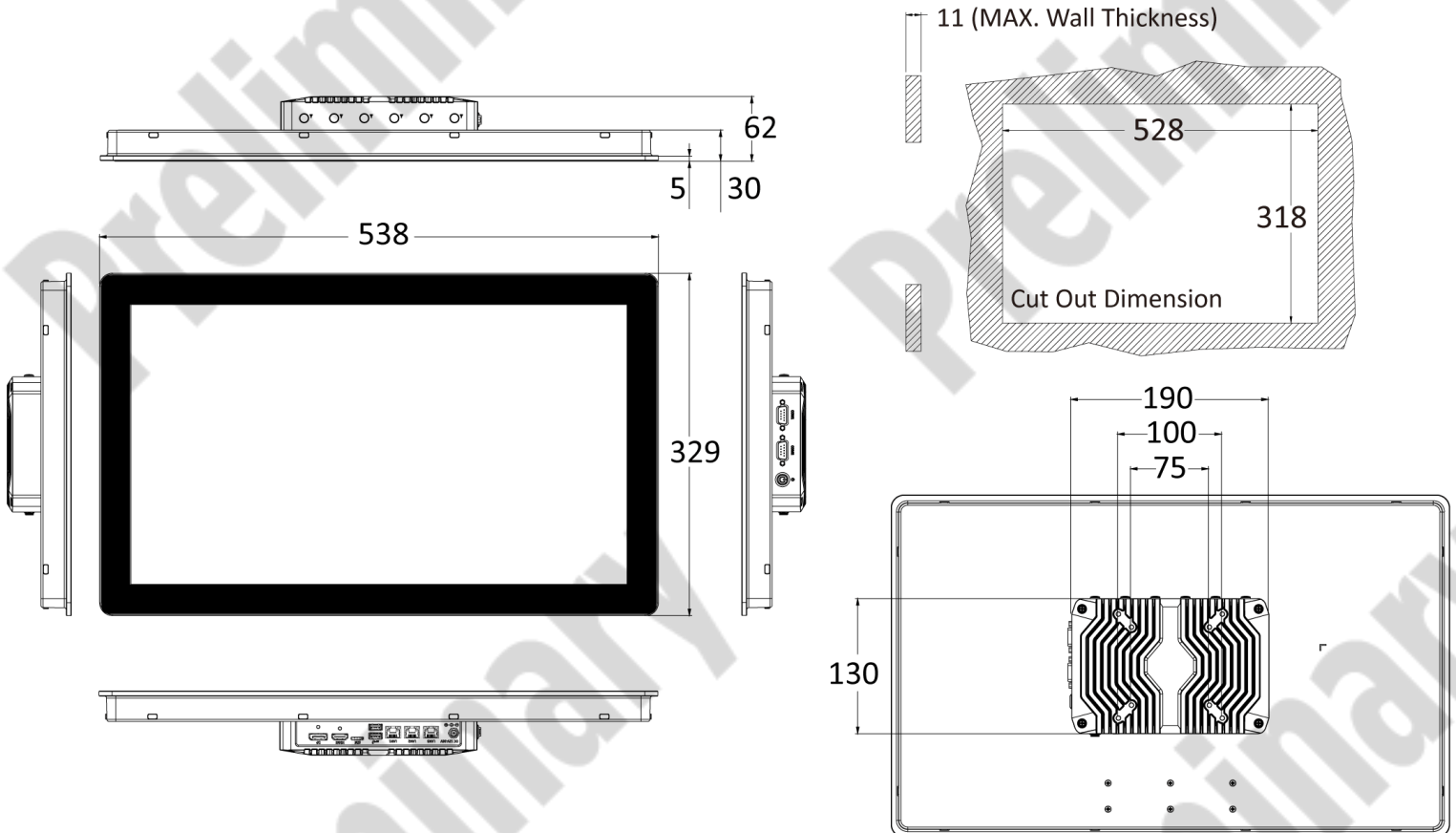
| | |
|------------|---|
| Dimensions | 538 (W) x 329 (H) x 62 (D) mm |
| Weights | 5.2 kg |
| Mounting | VESA Mount (75mm x 75mm/100mm x 100mm) Panel Mount |

External I/O Mechanical Layout



Dimension

Unit: mm



Available Models

| Model No. | Description |
|---------------------|---|
| AIO-W221-3L-N97 | 21.5" Full HD Capacitive All IN One Touchscreen Computer with Intel® Alder lake N97 Processor, 3x 2.5 GbE LAN |
| AIO-W221-3L-X7835RE | 21.5" Full HD Capacitive All IN One Touchscreen Computer with Intel® x7835RE Processor, 3x 2.5 GbE LAN |

Optional Accessories

| Model No. | Description |
|---------------|--|
| 1-E09A06012 | Adapter Output 12V 5A 60W / Input 100-240V |
| 3-WIFI0801S10 | WIFI 6E Modute KIT, Intel, 2T2R & BT 5.3 |
| 1-TCOM00041 | COM cable (CT-240125-01/CHEN PERNG) |
| 3-AI215040S10 | AIO-W221 Panel Mount Bracket Kit |
| 1-TPWR00118 | 3P Terminal Block(Female) To DC Plug 5.5x2.5 With Lock_100 mm_For AIO Series |
| 1-TLAN00028 | LAN Male to Female CABLE /CAT6 A LAN Cable_8P/8C_80mm |

Packing List

1x AIO-W221-ASL-3L Series Touchscreen Computer
 1x Adapter Output 12V 5A
 1x 128G M.2 B key SSD
 1x 8GB DDR5 4800 MT/s