



ALL IN ONE TOUCHSCREEN MONITOR

AIO-W221-MX

21.5" Full HD Capacitive All IN One Touchscreen Monitor



Features

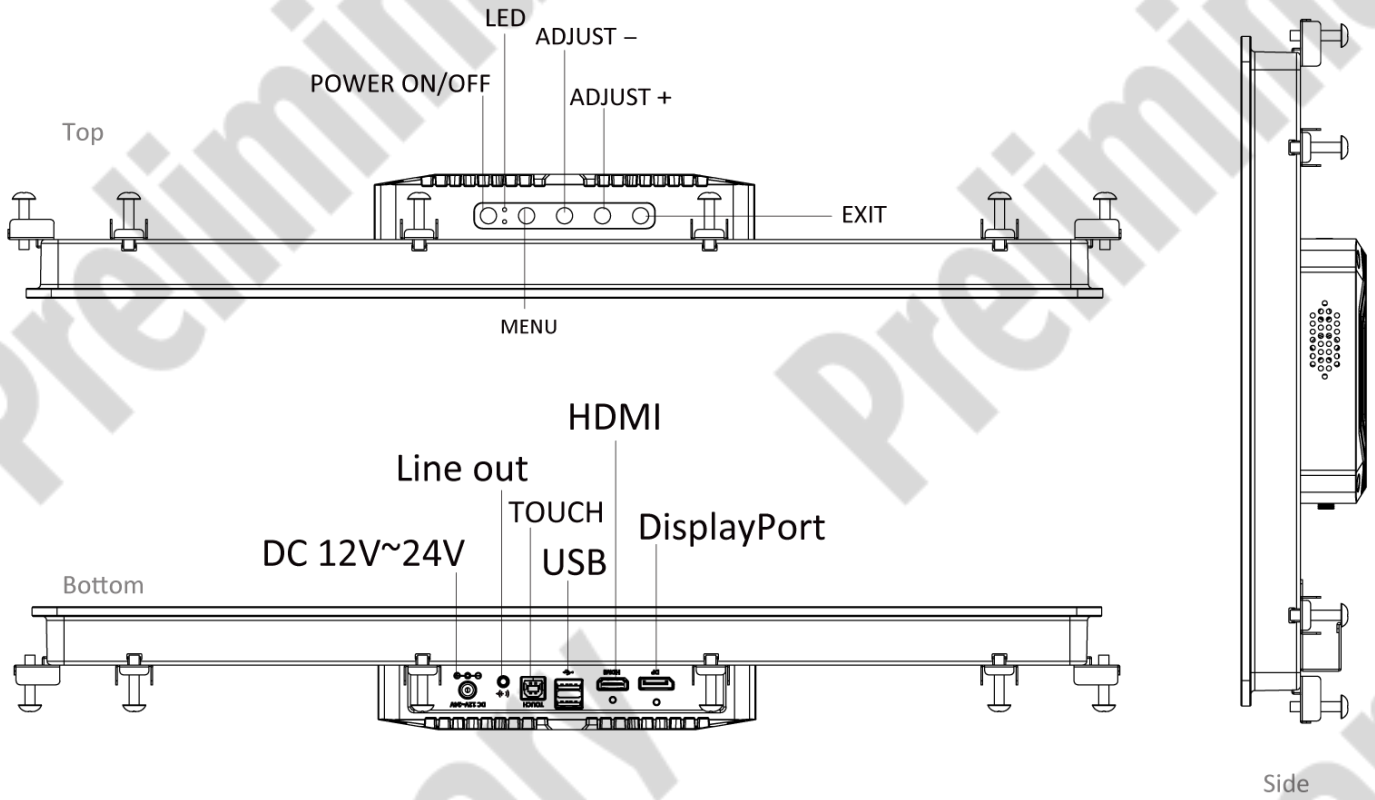
- 21.5" (16:9) Full HD Capacitive All-in-One Touchscreen Monitor
- Front IP65 for protection against water and dust
- Scratch Resistant 7H Glass Hardness IK07
- Versatile Display Outputs; HDMI and DP
- Anti-Noise CS 10V rms
- -10°C to 50°C extended operating temperature
- MTBF 50,000 Hours
- World Class Certifications for Safety and Reliability: CE/FCC/CB/UL/UKCA/IC



Specifications

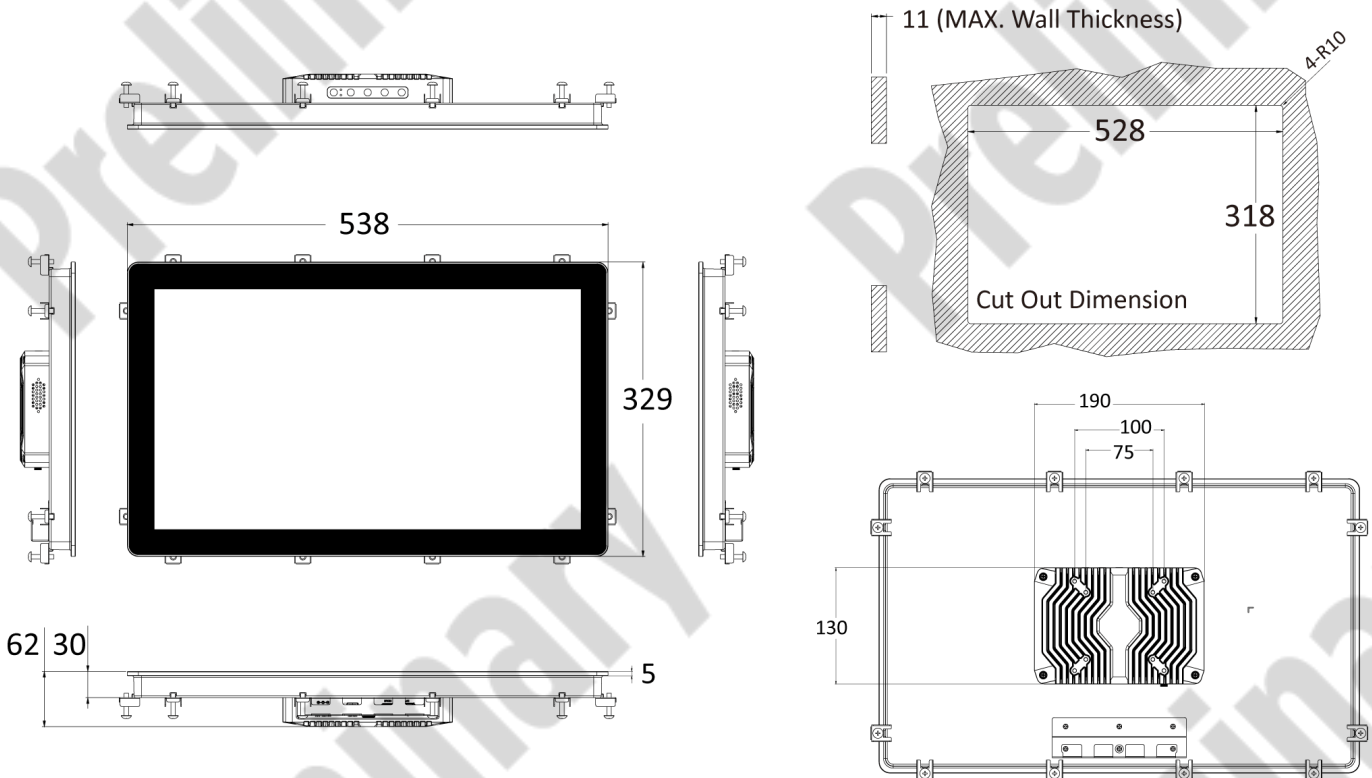
Display		Physical	
IP Rating	Front IP65	Dimensions	538 (W) X 329 (H) X 62 (D) mm
LCD Size	21.5" (16:9)	Weights	5.2 kg
Max. Resolution	1920 x 1080 (Full HD)	Mounting	VESA Mount (75mm x 75mm/100mm x 100mm) Panel Mount
Brightness (cd/m ²)	400 nits		
Contrast Ratio	1000:1		
LCD Color	16.7M		
Pixel Pitch (mm)	0.24795 (H) x 0.24795 (V)		
Viewing Angle	89 /89 /89 /89 (Typ.) (CR>=10)		
Backlight MTBF	50,000 Hours (LED Backlight)		
Touch			
Touch Type	Projected Capacitive Touch (anti-glare)		
Surface Hardness	7H / IK07		
Multi-touch	10 point (Support Glove Mode)		
Anti-noise	CS 10V rms		
Interface	USB		
I/O			
DisplayPort	1x Display Port 1.1		
HDMI	1x HDMI 1.4a		
USB	2x USB 2.0 Type A 1x USB Type B for Touch		
Speaker	Internal Speaker 2W+2W		
OSD	On/Off, Menu, Adjust - and +, Exit		
Audio	1x line-out		
Compliance Operating System			
Windows	Windows 10 / Windows 11		
Linux	Linux Ubuntu 22.04		
Power			
Power Adapter	60W with Locking (12V 5A, Optional)		
Power Supply Voltage	DC 12V~24V		
Power Connector	DC Jack 5.5mm/2.5mm		
Environment			
Operating Temperature	-10°C to 50°C		
Storage Temperature	-20°C to 60°C		
Relative Humidity	10% to 80% (non-condensing)		
Certification	CE, FCC Class A, CB, UL Listed, UKCA		
Vibration	IEC60068-2-64:2008 3 Grms (5 - 500 Hz, 0.5 hr/axis) Designed to comply with MIL-STD-810G Method 514.7 Procedure I		
Shock	IEC60068-2-27:2008 20G half-sin 11ms Designed to comply with MIL-STD-810G Method 516.7 Procedure I		

External I/O Mechanical Layout



Dimension

Unit: mm



Available Models

Model No.	Description
AIO-W221-MX	21.5" Full HD Capacitive All IN One Touchscreen Monitor, 1x HDMI, 1x Display Port

Optional Accessories

Model No.	Description
1-E09A06012	Adapter Output 12V 5A 60W / Input 100-240V
1-TDPP00006	3 ft. DP-DP cable
1-THDM00008	3 ft. HDMI-HDMI cable
1-TUSB00084	3 ft. USB 2.0 Type A - Type B touch cable
1-TPWR00118	3P Terminal Block(Female) To DC Plug 5.5x2.5 With Lock_100 mm_For AIO Series
1-ND800000100	3P male dinkle connector
1-BH020C013	Screw Flat Head M3x5L SUS304 for cable-bkt
1-BMAI2150201	A215-1601_cable-bkt

Packing List

- 1x AIO-W221-MX Series Touchscreen Monitor
- 1x AIO-W221 Panel Mount Bracket Kit
- 1x Cable Management Bracket (with screw)