



FANLESS MINI COMPUTER

## BCO-1000-ADLN\_2L

Fanless Mini Computer with 12th Gen Intel® IoTG N97 Processor, 1x DP, 1x HDMI, 2x COM, 2x LAN, 1x 2.5" Drive Bay

## Features

- Support 12th Gen Intel® IoTG Alder Lake-N Processor N97, QC, 12W
- DDR5 SODIMM. Max. up to 16GB (Default: 8GB)
- Dual Independent Display by 1x Display Port, 1x HDMI
- 2x 2.5GbE LAN
- 1x 2.5" SSD Drive Bay
- 1x M.2 B-Key (Default: 128GB SSD)
- 2x COM, 2x USB 3.2 Gen2, 2x USB 3.2 Gen1, 2x USB 2.0
- 9 to 36VDC Wide Range Power Input Supporting AT/ATX Mode
- Wide Operating Temperature 0°C to 50°C
- TPM 2.0 Supported
- CE, FCC Class A

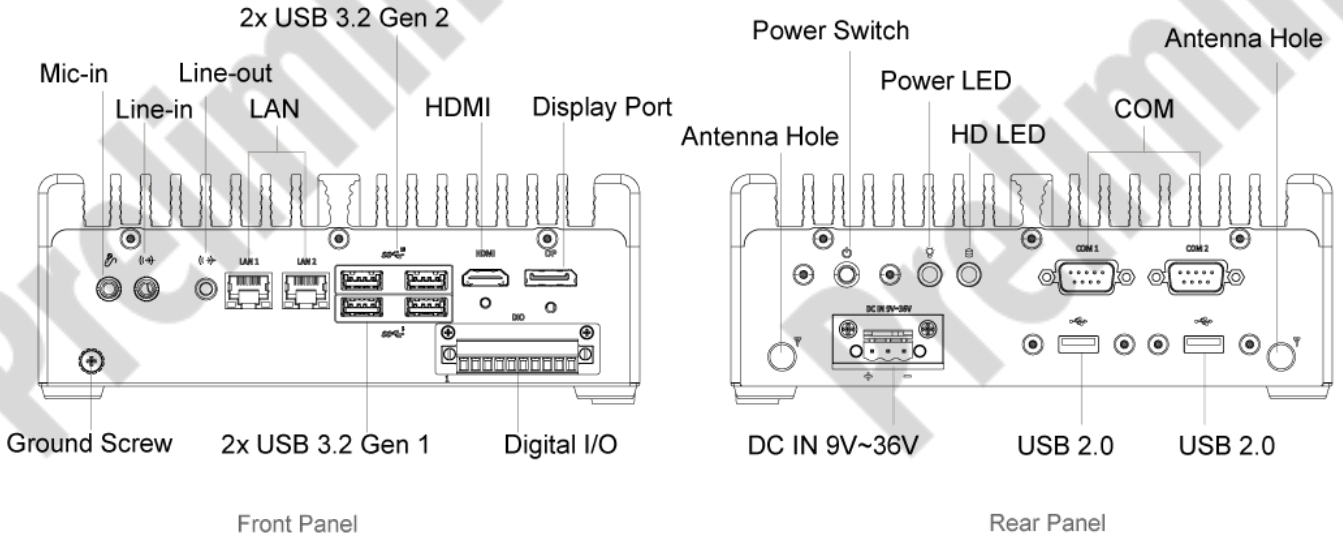


## Specifications

System	
Processor	Support 12th Gen Intel® IoTG Alder Lake-N Processor N97, QC, 12W
System Chipset	SoC integrated
LAN Chipset	2x Intel® I225-V 2.5GbE LAN
Audio Codec	Realtek ALC897
System Memory	DDR5 4800MT/s SODIMM. Max. up to 16 GB (Default: 8GB)
Graphics	Intel® UHD Graphics
BIOS	AMI UEFI BIOS
Watchdog	Software Programmable Supports 1~255 sec. System Reset
TPM	TPM 2.0
Display	
Display Port	1x DisplayPort 1.4a Max Resolution 4096 x 2304 @60Hz
HDMI	1x HDMI 1.4b Max Resolution 3840 x 2160 @30Hz
Multiple Display	2x Independent Displays
Storage	
M.2 B-Key	1x M.2 B-Key slot (2242/2280/3042) • Supports 1x PCIe x1 SATA signal, (Default 128GB SSD) • Supports B+M Key SSD
SATA	1x 2.5" Drive Bay (7mm or 9mm)
Expansion	
M.2 E-Key	1x M.2 E-Key (2230) • Support PCIe x1 & USB 2.0; Support CNVi • Devices Supported: Intel® AX210 Wi-Fi 6E & BT-5.1 (vPro Supported)
I/O	
Audio	Line-in/Line-out/Mic-in
COM	2x DB9 COM1: RS232/422/485 COM2: RS232
GPIO	1x 8 GPIO
LAN	2x RJ45 (2.5GbE)
USB	2x USB 3.2 Gen2 2x USB 3.2 Gen1 2x USB 2.0 Type-A
Others	• 2x Antenna Holes • 1x Power button • 1x HD LED • 1x Power LED
Operating System	
Windows	Windows 10/11
Linux	Linux Kernel
Power	
Power Adapter	Optional AC/DC 12V/5A, 60W
Power Mode	AT, ATX (Default ATX)
Power Supply Voltage	9~36VDC
Power Connector	3-pin Terminal Block

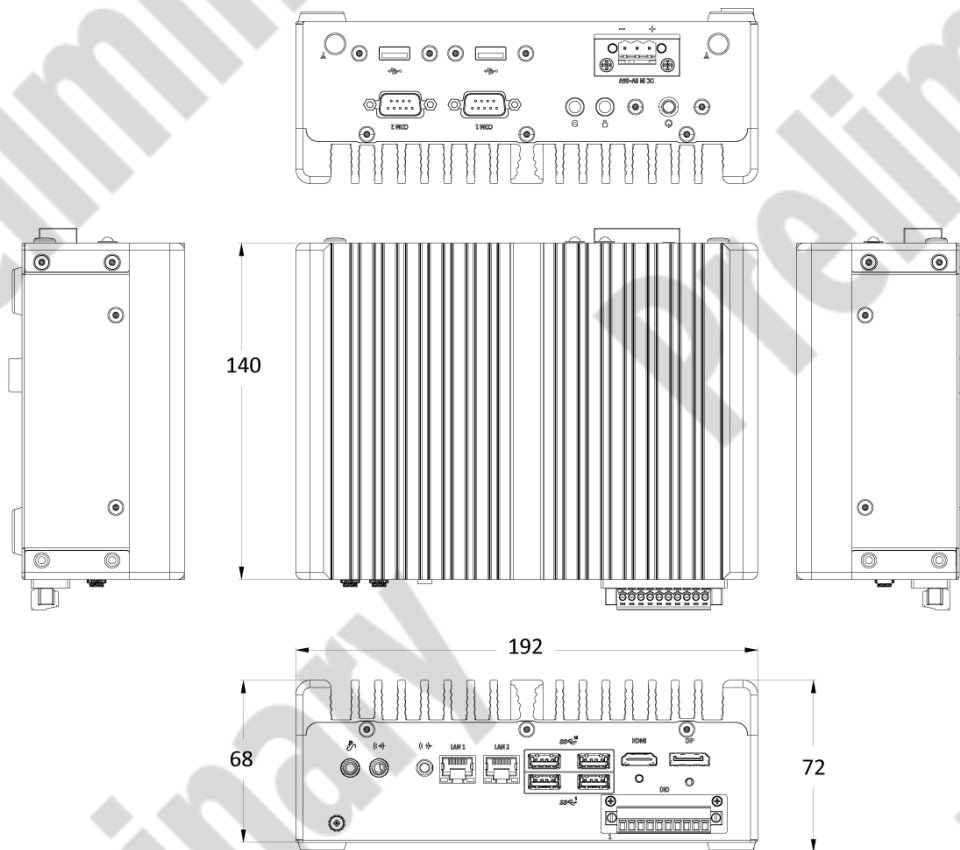
Environment	
Operating Temperature	0°C to 50°C (12W CPU) Tested according to: IEC60068-2-1:2007 (Cold test procedure) IEC60068-2-2:2007 (Dry heat test procedure) IEC60068-2-3:2007 (Damp heat, steady state, test procedure) IEC60068-2-14:2009 (Wide temperature range thermal shock)
Storage Temperature	-30°C to 85°C
Relative Humidity	10% to 95% (non-condensing)
Certification	EMC: • CE • FCC Class A (47 CFR part 15.109 and part 15.107) • ICES-003 • UKCA Green Product: • RoHS 3.0 (Directive 2015/863/EU) • REACH
Vibration	IEC60068-2-64:2008 With SSD: 5 Grms (5 - 500 Hz, 0.5 hr/axis) Designed to comply with MIL-STD-810G Method 514.7 Procedure I
Shock	IEC60068-2-27:2008 With SSD: 50G half-sin 11ms Designed to comply with MIL-STD-810G Method 514.7 Procedure I Package Drop Test: ISTA 2A
Physical	
Dimensions (WxDxH)	192 x 140 x 68mm
Construction	Extruded Aluminum with Heavy Duty Metal
Mounting Options	Wall Mounting DIN-Rail Mounting (Optional)

External I/O Mechanical Layout



Dimension

Unit: mm



### Available Models

Model No.	Description
BCO-1000-ADLN-P	Fanless Mini Computer with 12th Gen Intel® IoTG N97 Processor, 1x DP, 1x HDMI, 2x COM, 2x LAN, 1x 2.5" Drive Bay

### Optional Accessories

Model No.	Description
1-E09A06008	Adapter AC/DC 12V 5A 60W with 3pin Terminal Block Plug 5.0mm Pitch
SFICBL022	Power Cord, 3-pin US Type, 180cm
1-TPCD00002	Power Cord, European Type, 180cm
1-TPCD00001	Power Cord, 3-pin UK Type, 180cm
3-DINR-0004	Din Rail-2 Mounting Kit

### Packing List

1x BCO-1000-ADLN Fanless Mini Computer  
1x Wall Mount Kit  
1x Accessory Kit

### Exports And Tariff Codes

ECCN	5A992.c
HTS	8471.50.0150
ScheduleB	84.71