



SMALL FORM FACTOR COMPUTER

## BCO-3000-RPL

Small Form Factor Computer with 12th/13th Gen Intel® IoTG Processor, 2x DP, 1x HDMI, 2x COM, 3x LAN

## Features

- Support 12th/13th Gen Intel® IoTG Processor Core i9/i7/i5/i3, Pentium, Celeron (35W only)
- DDR4 SODIMM. Max. up to 64GB (Default: 8GB)
- 2x Display Port, 1x HDMI, Triple Independent Display
- 3x 2.5GbE LAN
- 1x M.2 M-Key (Default: 128GB SSD), 1x M.2 E-key, 1x M.2 B-key
- 4x COM, 6x USB 3.2 Gen 2, 2x USB 3.2 Gen 1, 2x USB 2.0
- 19 to 36VDC Wide Range Power Input Supporting AT/ATX Mode
- Wide Operating Temperature 0°C to 50°C (35W CPU)
- TPM 2.0 Supported
- CE, FCC Class A



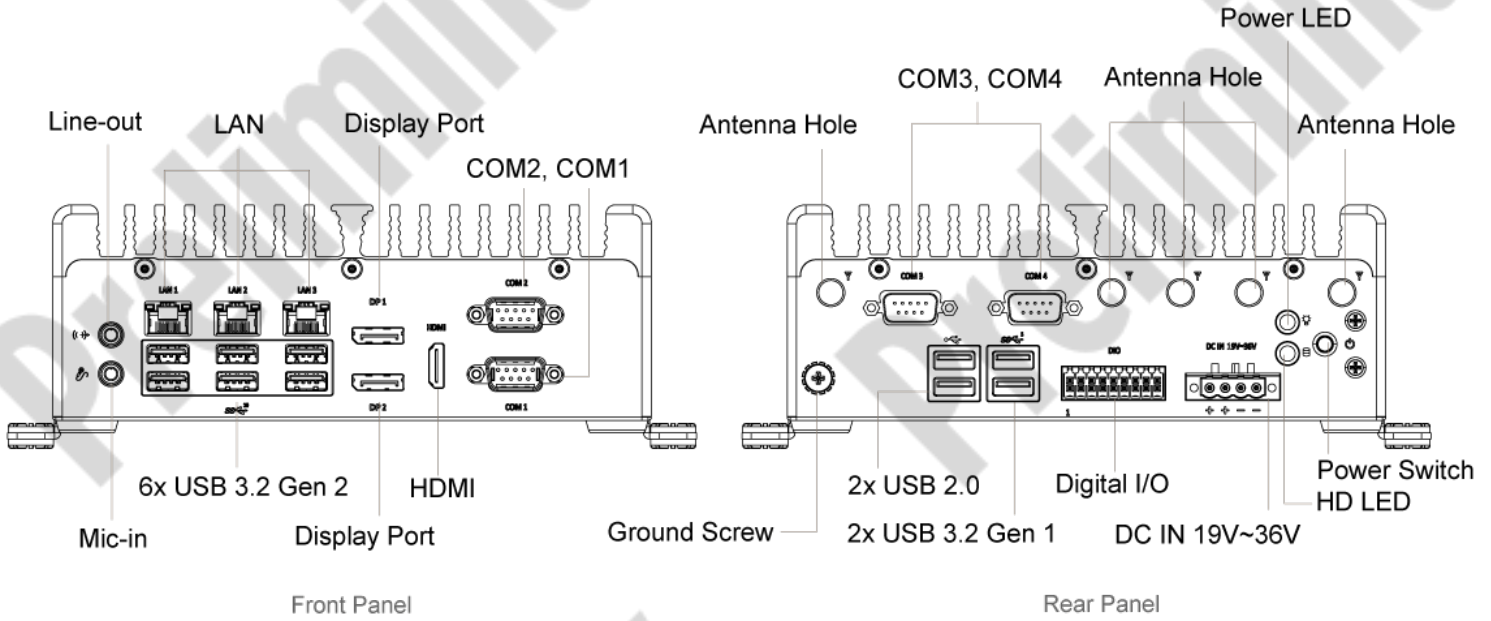
## Specifications

System	
Processor	Intel® IOTG: • 12th/13th Gen Intel® Core™ Processor i9/i7/i5/i3, Pentium, Celeron (35W only)
System Chipset	Intel® Q670E Express Chipset
LAN Chipset	Intel® I225LM PCIe 2.5GbE LAN Intel® I225V PCIe 2.5GbE LAN Intel® I225LV PCIe 2.5GbE LAN
Audio Codec	Realtek ALC897
System Memory	DDR4 3200MT/s SODIMM. Max. up to 64 GB (Default: 8GB)
Graphics	Intel® UHD Graphics
BIOS	AMI UEFI BIOS
Watchdog	Software Programmable Supports 1~255 sec. System Reset
AI Accelerator	Supports 1x Hailo-8™ module through M.2 B-Key
TPM	TPM 2.0
Display	
Display Port	2x Dual Mode DisplayPort 1.4a Max Resolution 4096 x 2304 @60Hz
HDMI	1x HDMI 1.4b Max Resolution 4096 x 2304 @24Hz
Multiple Display	3x Independent Displays
Storage	
M.2 M-Key	1x M.2 M-key Type (2242/2280): • Support 1x PCIe x4 Gen 3 NVMe SSD From PCH (Default 128GB SSD) • Support B+M Key, AI/Storage Module (Pending)
Expansion	
M.2 B-Key	1x M.2 B-key (3042) • Support 1x Nano SIM Holder • Support 1x PCIe x1, 1x USB 3.2 Gen 2, 1x USB 2.0, 5G/4G/LTE Module
M.2 E-Key	1x M.2 E-key (2230) • Support 1x PCIe x1, 1x USB 2.0; Support CNVi • Devices Supported: Intel® AX210 Wi-Fi 6E & BT-5.1 (vPro Supported)
Network Modules	Optional Through M.2 B-Key: • 5G/4G/LTE Module
I/O	
Audio	Line-out/Mic-in
COM	4x DB9 COM1: RS232/422/485 COM2: RS232/422/485 COM3: RS485 COM4: RS485
DIO	8 in / 8 out (Isolated)
LAN	3x RJ45 (2.5GbE)
USB	6x USB 3.2 Gen2 2x USB 3.2 Gen1 2x USB 2.0 Type-A
Others	• 5x Antenna Holes • 1x Power button • 1x HD LED • 1x Power LED
Operating System	
Windows	Windows 10/11

Linux	Linux Kernel
Power	
Power Adapter	Optional AC/DC 24V/5A, 120W
Power Mode	AT, ATX (Default ATX)
Power Supply Voltage	19~36VDC
Power Connector	4-pin Terminal Block
Environment	
Operating Temperature	0°C to 50°C (35W CPU) Tested according to: IEC60068-2-1:2007 (Cold test procedure) IEC60068-2-2:2007 (Dry heat test procedure) IEC60068-2-3:2007 (Damp heat, steady state, test procedure) IEC60068-2-14:2009 (Wide temperature range thermal shock)
Storage Temperature	-30°C to 85°C
Relative Humidity	10% to 95% (non-condensing)
Certification	EMC: • CE • FCC Class A (47 CFR part 15.109 and part 15.107) • ICES-003 • UKCA Green Product: • RoHS 3.0 (Directive 2015/863/EU) • REACH
Vibration	IEC60068-2-64:2008 With SSD: 5 Grms (5 - 500 Hz, 0.5 hr/axis) Designed to comply with MIL-STD-810G Method 514.7 Procedure I
Shock	IEC60068-2-27:2008 With SSD: 50G half-sin 11ms Designed to comply with MIL-STD-810G Method 514.7 Procedure I Package Drop Test: ISTA 2A
Physical	
Dimensions (WxDxH)	192 x 240 x 69mm
Construction	Extruded Aluminum with Heavy Duty Metal
Mounting Options	Wall Mounting DIN-Rail Mounting (Optional)

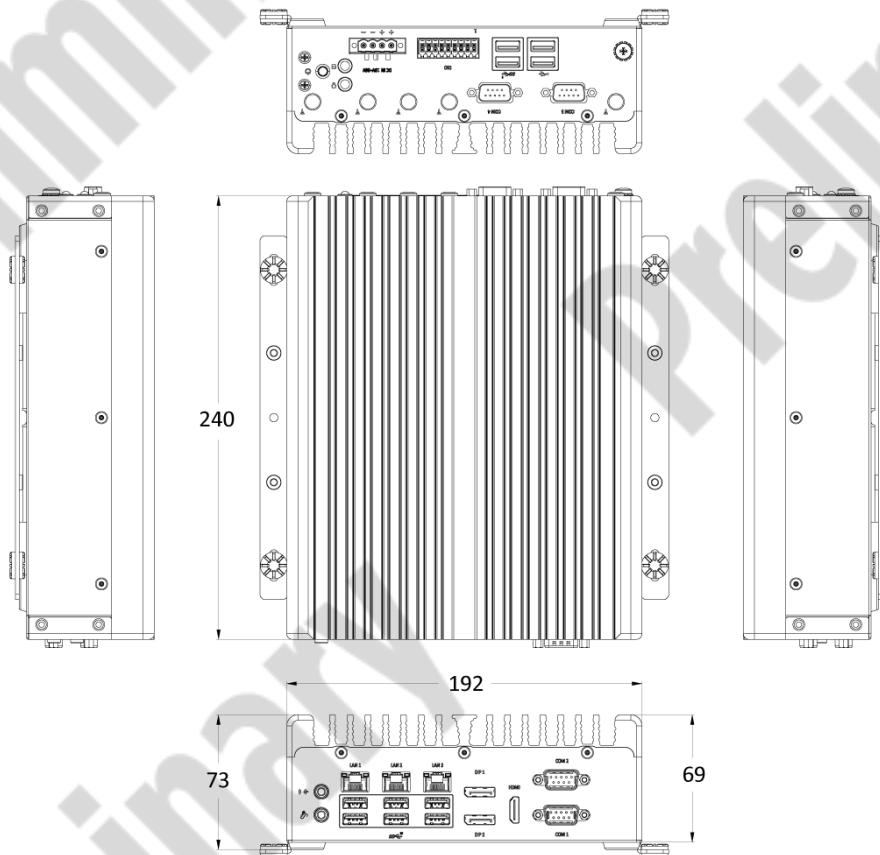
\* All specifications and photos are subject to change without notice.

External I/O Mechanical Layout



Dimension

Unit: mm



### Available Models

Model No.	Description
BCO-3000-RPL-P	Small Form Factor Computer with 12th/13th Gen Intel® IoTG Processor, 2x DP, 1x HDMI, 2x COM, 3x LAN

### Optional Accessories

Model No.	Description
1-E09A12002	Adapter AC/DC 12V 5A 120W with 3pin Terminal Block Plug 5.0mm Pitch
SFICBL022	Power Cord, 3-pin US Type, 180cm
1-TPCD00002	Power Cord, European Type, 180cm
1-TPCD00001	Power Cord, 3-pin UK Type, 180cm
3-DINR-0004	Din Rail-2 Mounting Kit

### Packing List

1x BCO-3000-RPL SMALL FORM FACTOR COMPUTER  
 1x Wall Mount Kit  
 1x Accessory Kit

### Exports And Tariff Codes

ECCN	5A992.c
HTS	8471.50.0150
ScheduleB	84.71