



FANLESS MINI COMPUTER

BCO-1000-J1900-30

Fanless Mini Computer with Intel® Celeron® J1900 Processor, 1x DVI-I, 1x DP, 6xCOM, 1x 2.5" SATA HDD Bay

Features

- Intel® Celeron® processor J1900, up to 2.0GHz
- 1x 204-pin DDR3L SODIMM. max up to 8GB
- Dual independent display supported by 1x DVI-I and 1x DisplayPort
- 2x Intel® GbE supporting Wake-on-LAN and PXE
- 1x 2.5" SATA HDD bay, 1x mSATA
- 2x full-size mini PCIe for communication or expansion modules, 1x SIM socket
- 6x RS-232/422/485, 1x USB 3.0, 3x USB 2.0
- 4x DI + 4x DO with isolation
- 9 to 30VDC wide range power input supporting AT/ATX mode
- -20°C to 50°C extended operating temperature

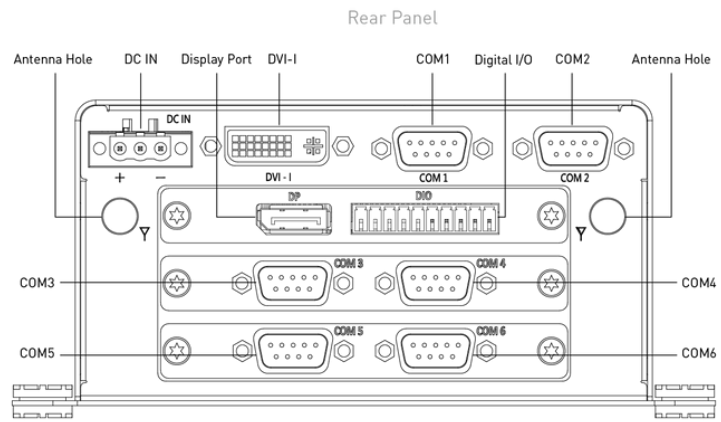
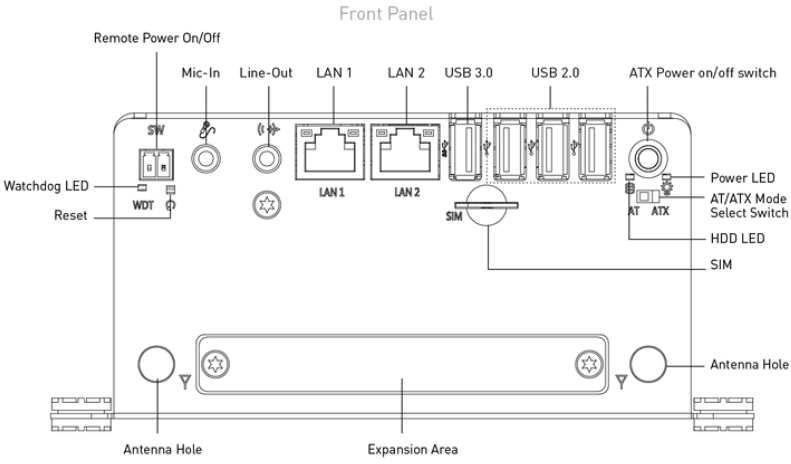


Specifications

System	
Processor	Intel® Celeron® Processor J1900, Quad Core, 2MB Cache, 2.0 GHz
System Chipset	SoC integrated
LAN Chipset	GbE1: Intel® I210-AT (Support Wake-on-LAN and PXE)
Audio Codec	Realtek ALC888S
System Memory	1x 204-Pin DDR3L 1066/1333MHz SODIMM. Max up to 8GB
BIOS	AMI 64Mbit SPI BIOS
Watchdog	Software Programmable Supports 1~255 Sec. System Reset
Display	
Display Port	1x DP
DVI	1x DVI-I
Multiple Display	Dual Display
VGA	Yes (by optional split cable)
Storage	
mSATA	1x mSATA (shared by 1x Mini PCIe)
SIM Socket	1x External SIM socket
SSD/HDD	1x Internal 2.5" SATA HDD Bay
Expansion	
Mini PCIe	1x Full-size Mini PCIe Socket with USIM Socket (PCIe + USB + SATA) 1x Full-size Mini PCIe Socket (PCIe + USB)
I/O	
Audio	1x Mic-in, 1x Line-out
COM	2x RS-232/422/485 4x RS-232/422/485 (module)
DIO	4 in / 4 out (Isolated)
LAN	2x RJ45
USB	1x USB 3.0, 3x USB 2.0
Others	4x WiFi Antenna Holes 1x Power Switch, 1x AT/ATX Switch
Operating System	
Windows	Windows 10, Windows 7, WES7
Linux	Linux kernel 3.X
Power	
Power Adapter	Optional AC/DC 12V/5A, 60W
Power Mode	AT, ATX
Power Supply Voltage	9~30 VDC
Power Connector	3-pin Terminal Block
Power Protection	Over Voltage Protection (OVP)

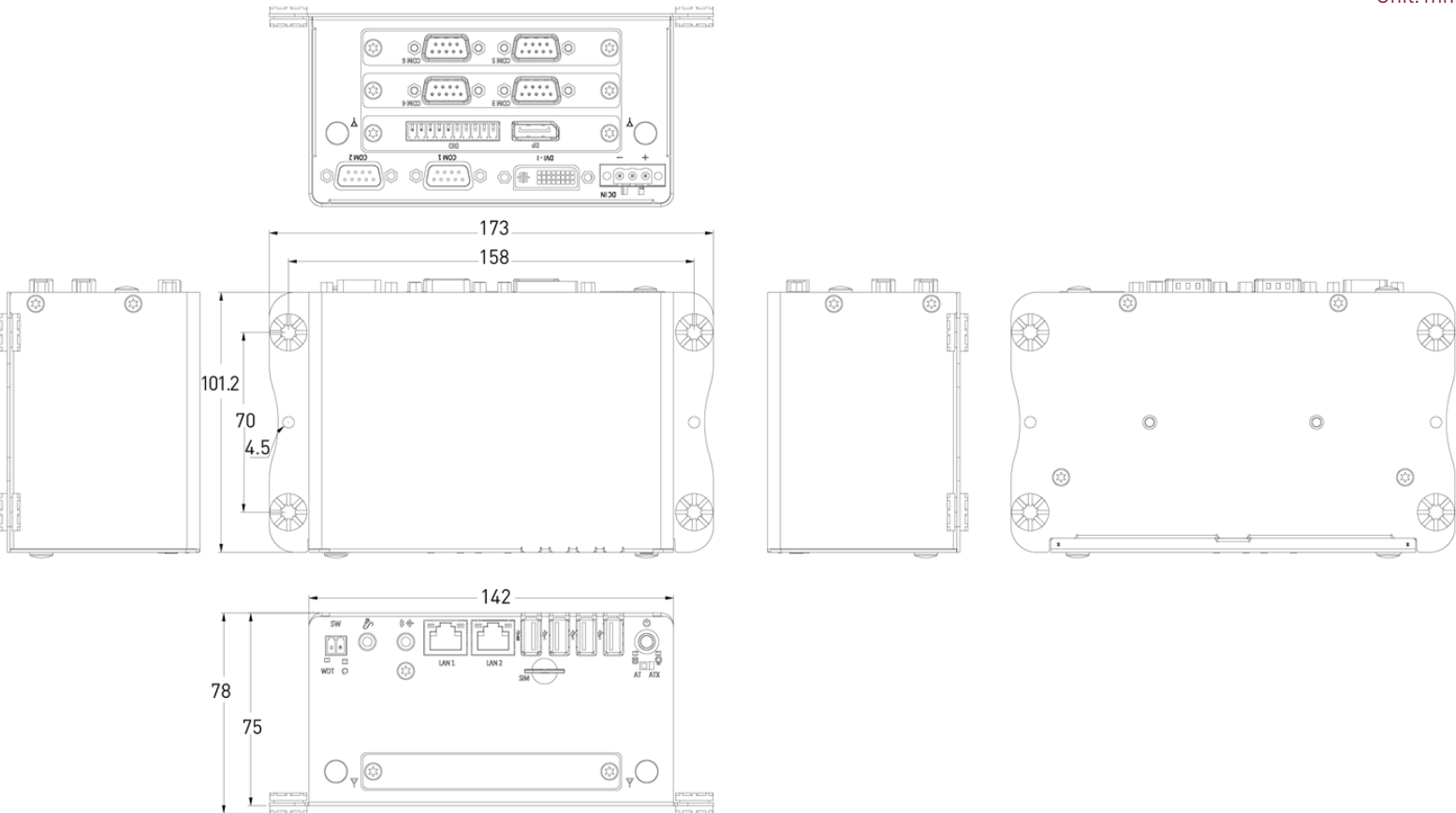
Environment	
Operating Temperature	-20 °C to 50 °C
Storage Temperature	-30 °C to 70 °C
Relative Humidity	10% to 95% (non-condensing)
Vibration	with SSD: 5 Grms, 5 - 500 Hz, 0.5 hr/axis with HDD: 1 Grms, 5 - 500 Hz, 0.5 hr/axis
Shock	with SSD: 50G, half sine, 11ms
Physical	
Dimensions	142 (W) x 101 (D) x 75 (H) mm
Weights	0.72kg
Construction	Fanless Design
Mounting Options	Wall Mounting

External I/O Mechanical Layout



Dimension

Unit: mm



Available Models

Model No.	Description
BCO-1000-J1900-30-P	Fanless Mini Computer with Intel® Celeron® J1900 Processor, 1x DVI-I, 1x DP, 6x COM, 1x 2.5" SATA HDD Bay

Optional Accessories

Model No.	Description
1-E09A06008	Adapter AC/DC 12V 5A 60W with 3pin Terminal Block Plug 5.0mm Pitch
999930	Power Cord, 3-pin US Type, 180cm
1-TPCD00002	Power Cord, European Type
1-TPCD00001	Power Cord, 3-pin UK Type, 180cm

Packing List

- 1x BCO-1000-J1900-30
- 1x Utility DVD Driver
- 1x Accessory Kit
- 1x DVI to VGA Adapter

Exports And Tariff Codes

ECCN	5A992.c
HTS	8471.50.0150
ScheduleB	84.71