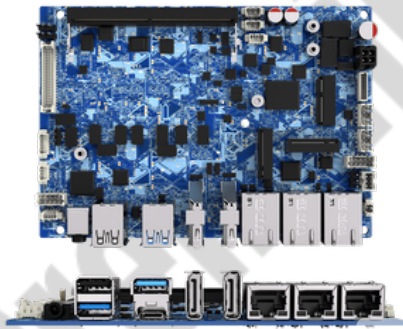




## CT-DPL01

3.5" SBC Industrial Motherboard With Intel® Core™ Ultra Series 3 Processors, Panther Lake



## Features

- Supports Intel® Core™ Ultra 5 336HRE / 336H and Ultra 7 366HRE processor options with 25W TDP
- 1x SO-DIMM / DDR5 7200 MT/s up to 48GB
- 3x Intel® i226IT 2.5GbE LAN ports
- 2x DP 1.4, 1x USB-C with DP Alt Mode, LVDS/eDP, and 8x USB ports
- 1x M.2 B-Key (3042/3052) for 4G/5G, 1x M.2 E-Key (2230) for WiFi/Bluetooth support
- 2x SIM Nano Socket
- 1x USB 3.2 Type-C, 2x USB 3.0 Type-A, 1x USB 2.0 Type-A
- 4x COM and 1x 8-bit GPIO
- dTPM 2.0 Supported
- Wide Voltage DC IN 12~24V

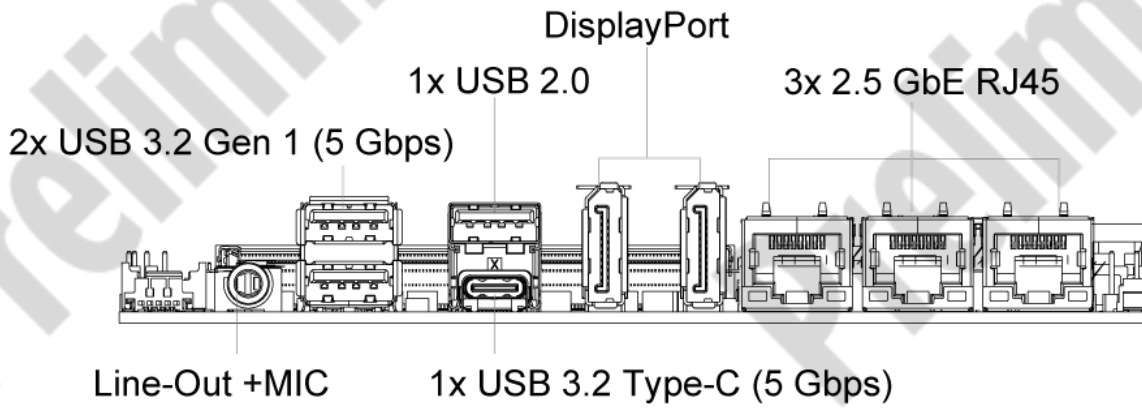


## Specifications

| System                |   |
|-----------------------|---|
| Processor             | <ul style="list-style-type: none"> <li>• Intel® Core™ Ultra 5 336HRE / 336H, 4P+4E+4LPE, 18M cache, 4Xe, 25W TDP</li> <li>• Intel® Core™ Ultra 7 366HRE, 4P+8E+4LPE, 18M cache, 4Xe, 25W TDP</li> </ul>                 |
| System Chipset        | SoC   |
| LAN Chipset           | GbE1: Intel® i226IT 2.5GbE LAN, supports PXE/RPL Boot and Wake-on-LAN<br>GbE2: Intel® i226IT 2.5GbE LAN, supports PXE/RPL Boot and Wake-on-LAN<br>GbE3: Intel® i226IT 2.5GbE LAN, supports PXE/RPL Boot and Wake-on-LAN |
| Audio Codec           | Realtek® ALC897 CODEC   |
| System Memory         | • 1x SO-DIMM, DDR5 7200 MT/s, up to 48GB  |
| Watchdog              | 1~255 sec./min. programmable via Super I/O  |
| TPM                   | dTPM2.0   |
| Display               |   |
| Display Port          | 2x DP1.4, max resolution 3840*2160@60Hz   |
| eDP                   | 1x eDP 1.4b, max 3840*2160@60Hz   |
| LVDS                  | 1x LVDS, max 1920*1200@60Hz   |
| Multiple Display      | Dual Display  |
| Storage               |   |
| M.2                   | 1x M.2 M-Key 2280, PCIe x4 Gen4 / SATA3   |
| Expansion             |   |
| M.2                   | 1x M.2 E-Key 2230, PCIe+ USB2.0, Support WiFi+ Bluetooth<br>1x M.2 B-Key 3042/3052, PCIe+USB3.0+ USB2.0, Support 5G/4G  |
| I/O                   |   |
| Audio                 | Line-out, Mic-in, Line-in, and L/R amplifier via wafer connectors   |
| Display Port          | 2x DisplayPort  |
| LAN                   | 3x 2.5GbE RJ45  |
| SIM                   | 2x SIM Nano Socket  |
| USB                   | 1x USB 3.2 Type-C with PD, 2x USB 3.2, 5x USB 2.0   |
| Internal I/O          |   |
| COM                   | • Internal I/O: 4x COM ports via wafer connectors (COM1-COM4)   |
| GPIO                  | 1x 8-bit GPIO via wafer connector   |
| USB                   | 4x USB 2.0 via wafer connectors   |
| Operating System      |   |
| Windows               | Microsoft® Windows 11   |
| Linux                 | Ubuntu 24.04 LTS Linux 6.x  |
| Power                 |   |
| Power Adapter         | Optional AC/DC 20V/7.5A, 150W   |
| Power Mode            | AT, ATX   |
| Power Supply Voltage  | DC IN 12~24V  |
| Power Protection      | OVP (Over Voltage Protection)<br>OCP (Over Current Protection)<br>Reverse Protection<br>Surge Protection  |
| Environment           |   |
| Form Factor           | 3.5" Embedded SBC   |
| Operating Temperature | 0°C to 60°C   |
| Storage Temperature   | -40°C to 85°C   |
| Relative Humidity     | 10% to 95% (non-condensing)   |
| Certification         | CE, FCC Class A, ICES-003, UKCA   |

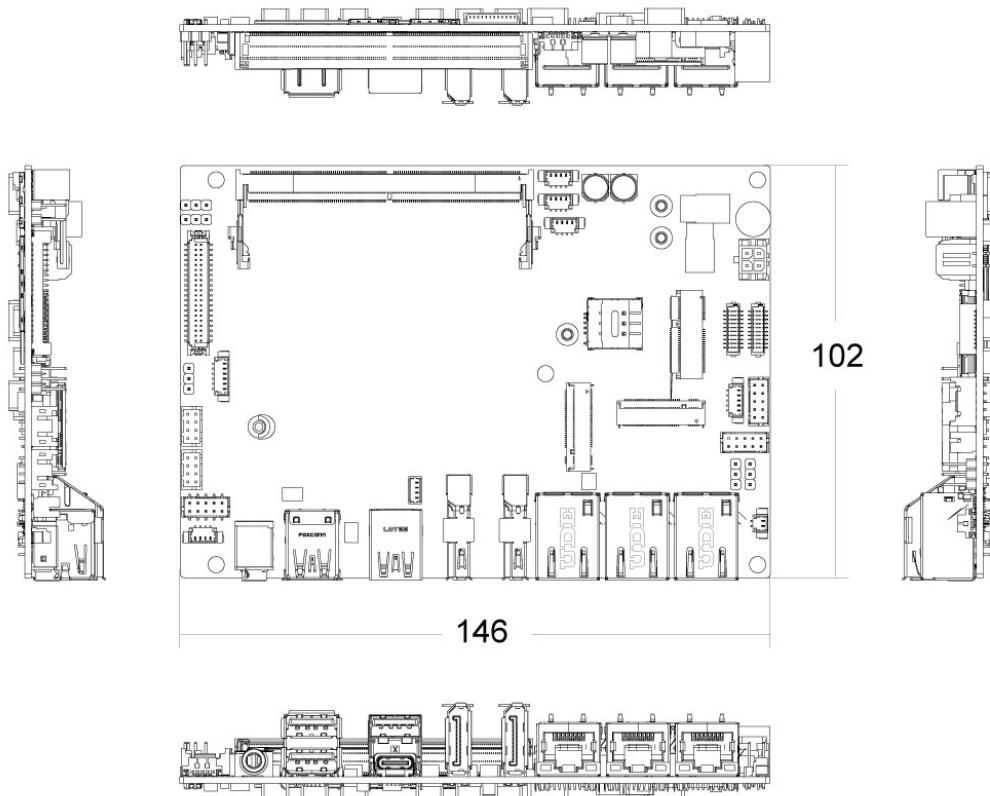
| Physical   |             |
|------------|-------------|
| Dimensions | 146 x 102mm |

External I/O Mechanical Layout



Dimension

Unit: mm



**Compliances and Standards**

|                       |   |
|-----------------------|---|
| Operating Temperature | 0°C to 60°C<br>IEC60068-2-1:2007 (Cold test procedure)<br>IEC60068-2-2:2007 (Dry heat test procedure)<br>IEC60068-2-3:2007 (Damp heat, steady state, test procedure)<br>IEC60068-2-14:2009 (Wide temperature range thermal shock) |
|-----------------------|---|

|     |   |
|-----|---|
| EMC | <ul style="list-style-type: none"> <li>• FCC Class A (47 CFR part 15.109 and part 15.107)</li> <li>• CE</li> <li>• ICES-003</li> <li>• UKCA</li> <li>• Industrial EMC Compliance</li> <li>- EN 61000-4-2: 2009</li> <li>- EN IEC 61000-4-3: 2020</li> <li>- EN 61000-4-4: 2012</li> <li>- EN 61000-4-5: 2014 +A1: 2017</li> <li>- EN 61000-4-6: 2014</li> </ul> |
|-----|---|

**Exports And Tariff Codes**

|           |              |
|-----------|--------------|
| ECCN      | 5A992.c      |
| HTS       | 8504.90.2000 |
| ScheduleB | 8473.30.0002 |

Preliminary

Preliminary

**Premio Inc.**

918 Radecki Ct., City of Industry  
 CA 91748, United States  
 Toll Free: 800.977.3646

**Premio Taiwan Inc.**

18F, No.176, Jianyi Road, Zhonghe District,  
 New Taipei City 235603, Taiwan  
 Toll Free: 886.2.7731.7888

Email: [sales@premioinc.com](mailto:sales@premioinc.com)  
 Website: <https://premioinc.com>