



EB10-4ETH-J

EDGEBoost I/O Module with 4x LAN Ports



Features

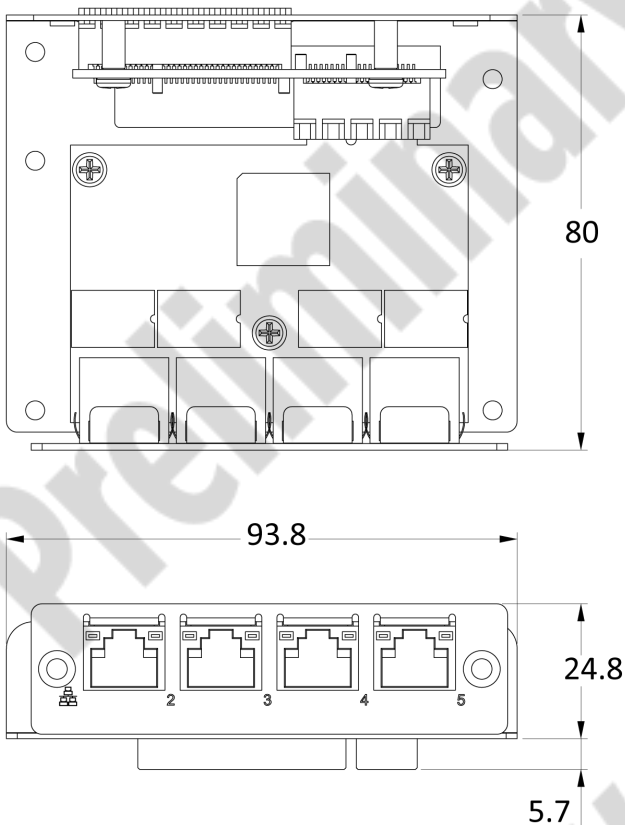
EDGEBoost I/O module supporting 4x GbE LAN ports for wired connectivity. Optional Power over Ethernet support is available through an additional add-on module

- 4x RJ45 1GbE LAN Ports
- Intel® Ethernet Controller I350
- PCIe x1 Gold Finger (PCIe 3.0 x4 performance)
- Occupies 1x EDGEBoost Bracket

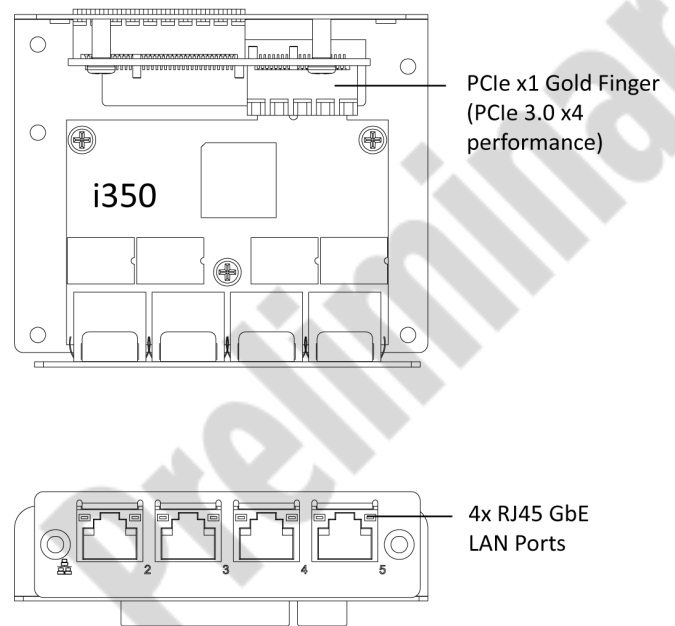
Specifications

Chipset	Intel® Ethernet Controller I350
Interface	PCIe x1 gold finger (PCIe 3.0 x4 performance)
Additional I/O	4x RJ45 GbE LAN Ports
I/O Bracket	Occupies 1x EDGEBoost Bracket
Standards and Certifications	UL, CE, FCC Class B

Dimension (Unit: mm)



External I/O Mechanical Layout



* All specifications and photos are subject to change without notice.



JCO-6000 Series High-Performance AI Edge Computers

Rugged fanless AI edge computers leveraging NVIDIA Jetson AGX Orin module (Up to 275 TOPS)

- Modular EDGEBoost I/O Support (M12/RJ45, USB, 10GbE, PoE)
- 8x USB3 Vision Locking Ports
- 8x Mini-Fakra connectors for GMSL Cameras
- Out-of-Band Port for remote management

[See Product](#)

Preliminary

Preliminary