



CONNECT PROPRIETARY MODULE

EB10-4ETH-POE-M12-J

EDGEBoost I/O Module with 4x PoE M12 Ports



Features

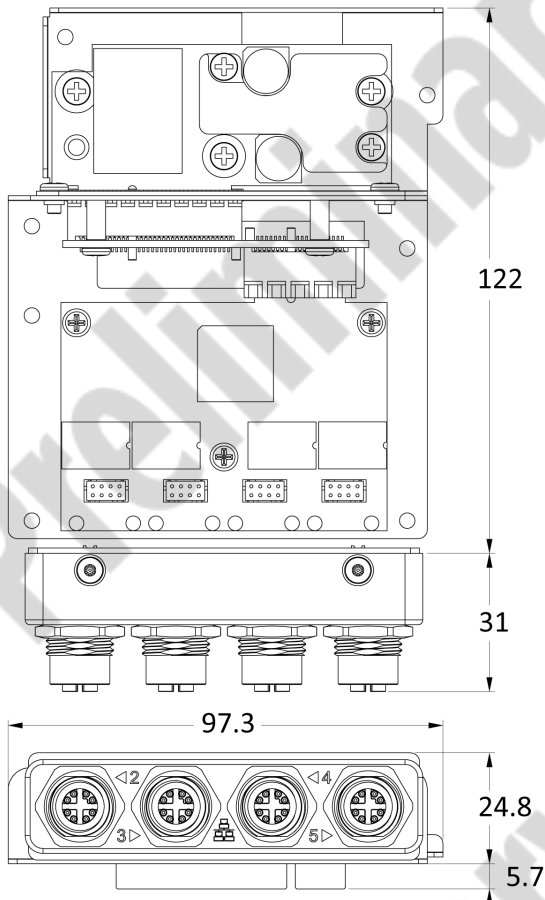
EDGEBoost I/O module supporting 4x locking GbE M12 LAN ports for industrial environments that require ingress protection from dust, debris, shock and vibration. Optional Power over Ethernet support is also available through an additional add-on module

- 4x 1GbE PoE M12 Ports
- Support Power over Ethernet through optional PoE module (up to 25.5 watt per port)
- Intel® Ethernet Controller I350
- PCIe x1 Gold Finger (PCIe 3.0 x4 performance)
- Complies with IEEE 802.3at
- Occupies 1x EDGEBoost Bracket

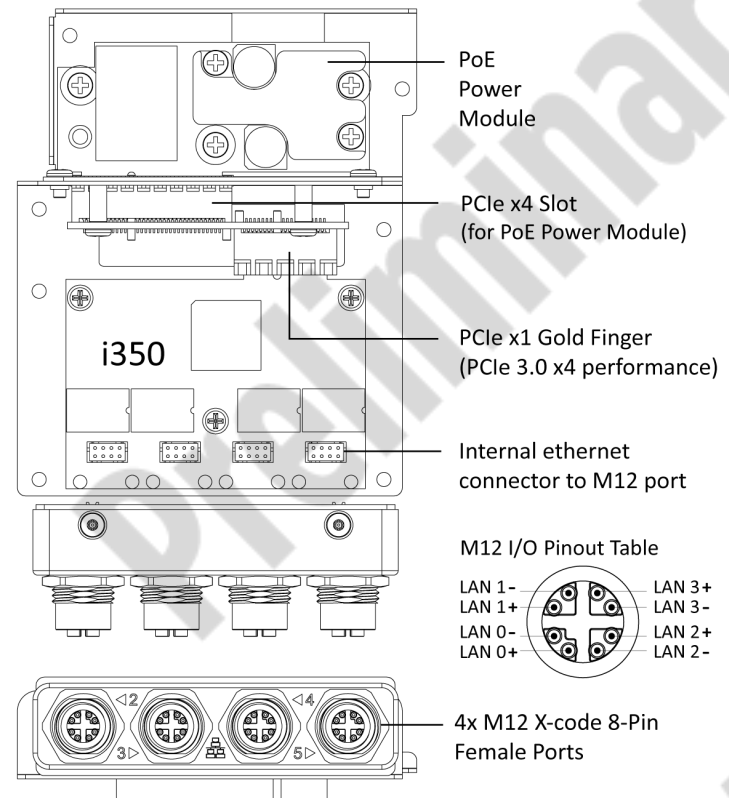
Specifications

Chipset	Intel® Ethernet Controller I350
Interface	PCIe x1 gold finger (PCIe 3.0 x4 performance)
Additional I/O	4x M12 X-code 8-Pin, Female Ports
I/O Bracket	Occupies 1x EDGEBoost Bracket
Power Output	Up to 25.5 Watt per port
Special Features	Power-Over-Ethernet
Standards and Certifications	Complies with IEEE 802.3at UL, CE, FCC Class B

Dimension (Unit: mm)



External I/O Mechanical Layout



* All specifications and photos are subject to change without notice.



JCO-6000 Series High-Performance AI Edge Computers

Rugged fanless AI edge computers leveraging NVIDIA Jetson AGX Orin module (Up to 275 TOPS)

- Modular EDGEBoost I/O Support (M12/RJ45, USB, 10GbE, PoE)
- 8x USB3 Vision Locking Ports
- 8x Mini-Fakra connectors for GMSL Cameras
- Out-of-Band Port for remote management

[See Product](#)

Preliminary