



EBIO-4U3L-J

EDGEBoost I/O Module with 4x USB 3.0 Type-A Ports with locking type



Features

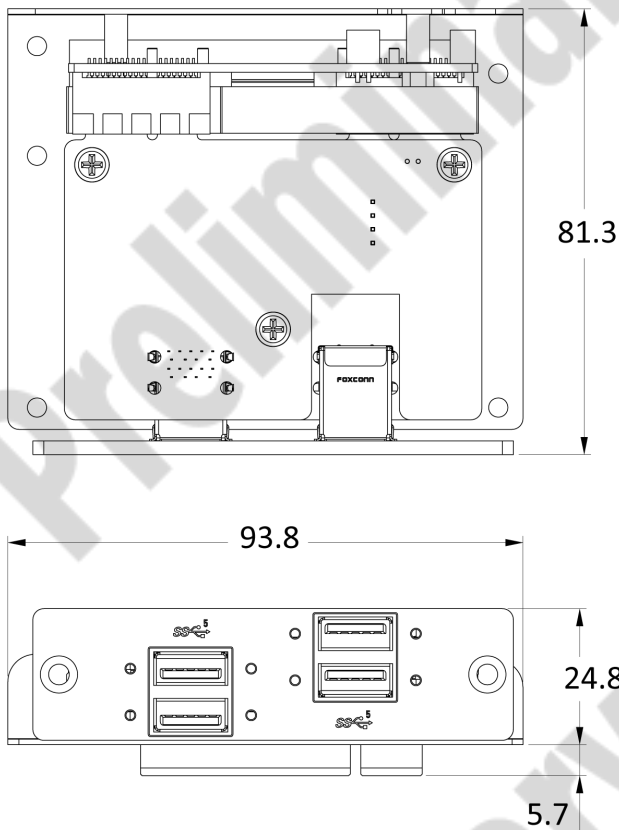
EDGEBoost I/O module supporting 4x USB 3.0 ports for even more peripheral connectivity.

- 4x USB 3.0, Type-A Ports with locking type
- Independent 1.5A over-current protection (OCP) for each port
- Compliant with xHCI 1.0, USB 3.2 Gen1 Rev 1.0
- Occupies 1x EDGEBoost Bracket

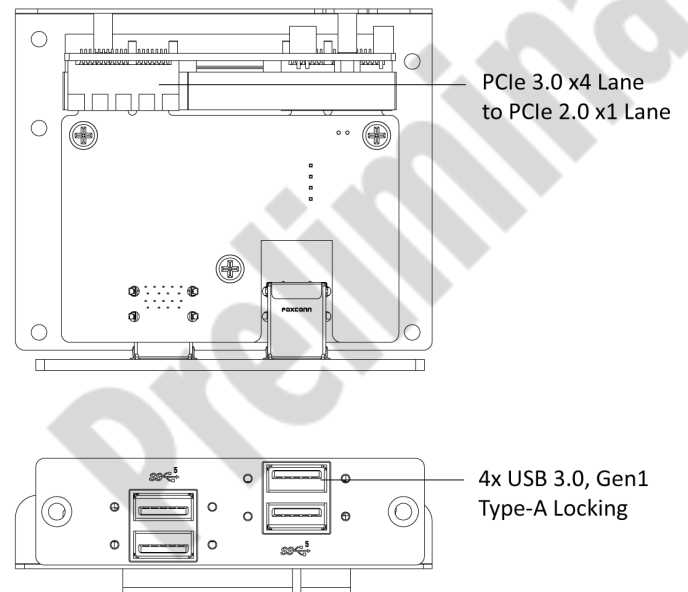
Specifications

Chipset	IC USB3.0 (uPD720201K8/RENESAS)
Interface	PCIe 3.0 x4 Lane to PCIe 2.0 x1 Lane
Additional I/O	4x USB 3.0, Gen1 Type-A Locking, 5Gbps Per Port
I/O Bracket	Occupies 1x EDGEBoost Bracket
Power Output	Power output 900mA per port Independent 1.5A over-current protection (OCP) for each port
Standards and Certifications	Compliant with xHCI 1.0, USB 3.2 Gen1 Rev 1.0 UL, CE, FCC Class B

Dimension (Unit: mm)



External I/O Mechanical Layout



* All specifications and photos are subject to change without notice.



JCO-6000 Series High-Performance AI Edge Computers

Rugged fanless AI edge computers leveraging NVIDIA Jetson AGX Orin module (Up to 275 TOPS)

- Modular EDGEBoost I/O Support (M12/RJ45, USB, 10GbE, PoE)
- 8x USB3 Vision Locking Ports
- 8x Mini-Fakra connectors for GMSL Cameras
- Out-of-Band Port for remote management

[See Product](#)

Preliminary