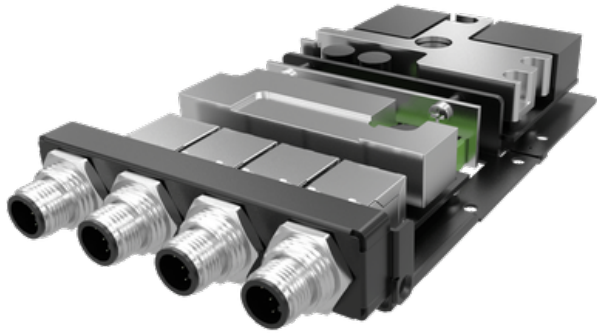




PROPRIETARY MODULE

EBIO-4ETH-POE-M12

EDGEBoost I/O Module with 4x PoE M12 Ports



Features

EDGEBoost I/O module supporting 4x locking GbE M12 LAN ports for industrial environments that require ingress protection from dust, debris, shock and vibration. Optional Power over Ethernet support is also available through an additional add-on module

- 4x 1GbE PoE M12 Ports
- Support Power over Ethernet through optional PoE module (up to 25.5 watt per port)
- Intel® Ethernet Controller I350
- PCIe x1 Gold Fingers Interface (PCIe 3.0 x4 Performance)
- Complies with IEEE 802.3at
- Occupies x1 EDGEBoost Bracket

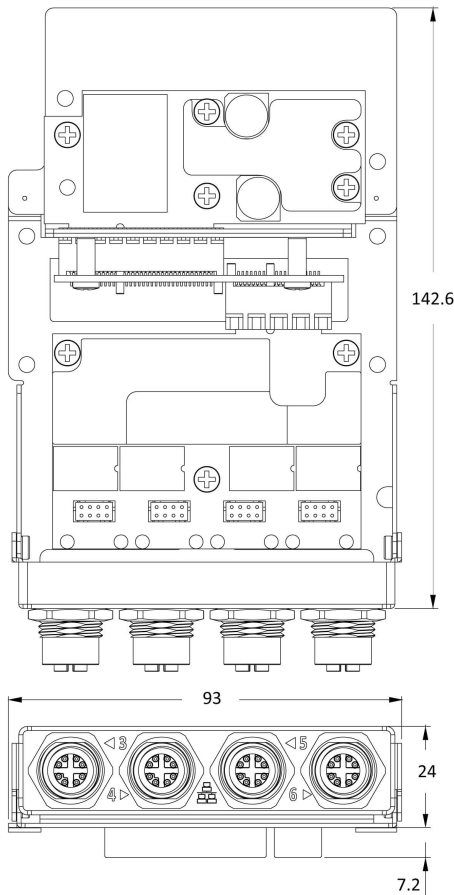
Specifications

LAN Chipset	Intel® Ethernet Controller I350
Interface	PCIe x1 gold finger (PCIe 3.0 x4 performance)
Additional I/O	4x M12 X-code 8-Pin, Female Ports
I/O Bracket	Occupies x1 EDGEBoost Bracket
Power Output	Up to 25.5 Watt per port
Special Features	Power-Over-Ethernet
Standards and Certifications	Complies with IEEE 802.3at UL, CE, FCC Class B

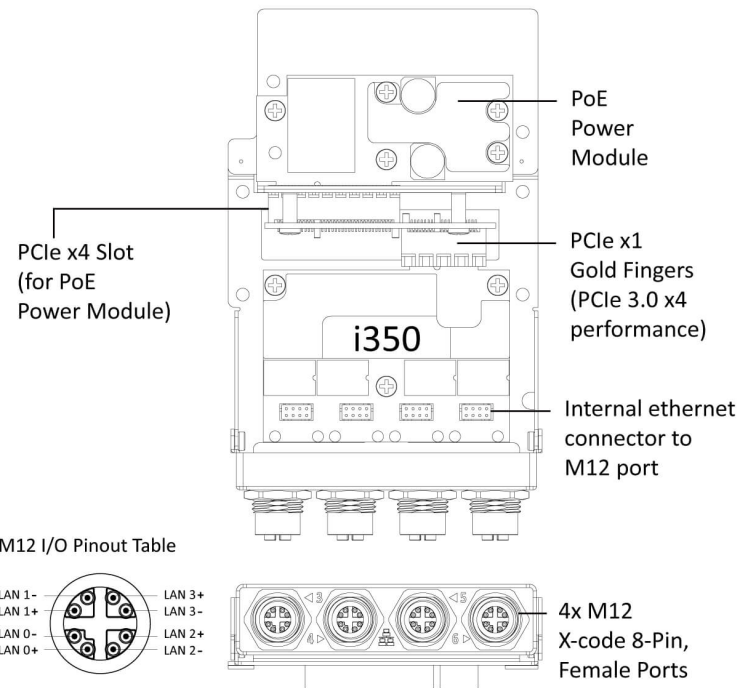
Available Models

- PEMODM12P04001G-B
EBIO, PoE, 4xM12, 1G, RCOACO-6000/6000-CFL/CML/ADL (PORT 3-6)
- PEMODM12P04001G-C
EBIO, PoE, 4xM12, 1G, RCOACO-6000/6000-CFL/CML/ADL (PORT 7-10)

Dimension (Unit: mm)

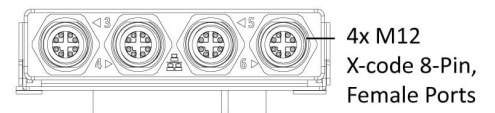


External I/O Mechanical Layout



M12 I/O Pinout Table

LAN 1-	LAN 3+
LAN 1+	LAN 3-
LAN 0-	LAN 2+
LAN 0+	LAN 2-



* All specifications and photos are subject to change without notice.



RCO-6000-RPL Industrial Computer W/ LGA 1700 For Intel 12/13th Gen CPU & R680E PCH

RCO-6000-RPL Series - Unleash the potential of the 13th Gen Intel® Processor, complemented by scalable AI accelerators for superior edge intelligence. This workstation-grade, fanless computer harnesses cutting-edge technologies, including DDR5, PCIe Gen 4, GPU accelerators, and NVMe storage for rapid performance.

- 13th Gen Intel® Core® Processor (35W TDP)
- Up to 64GB DDR5 (ECC & Non-ECC)
- 2x EDGEBoost I/O Brackets
- 1x M.2 E-Key
- 2x SATA SSD Bays (1x Hot-swappable)
- PCIe Gen 4.0 EDGEBoost Node Compatible (NVMe Storage, GPU Support, & PCI/PCIe Expansion)
- UL Listed, CE, FCC Class A Certified

[See Product](#)



RCO-6000-CML AI Edge Inference Computer with 10th Gen Intel® Core™ Processor

The RCO-6000-CML series is a flagship high-performance industrial computer purpose-built to process data-heavy workloads in real-time. When paired with an EDGEBoost Node, blazing-fast NVMe storage and Edge AI accelerators are unlocked for streamlined AI inferencing and machine learning.

- 10th Gen Intel® Core/Xeon Processor
- Max. 64GB DDR RAM (ECC & Non-ECC)
- 4x SATA SSD Bay (2x External Hot-Swappable, 2x Internal)
- On-board M.2 E-Key
- Compatible with EDGEBoost Nodes (Dedicated GPU and/or U.2 NVMe Storage)
- 2x EDGEBoost Bracket

[See Product](#)



ACO-6000-CML In-Vehicle Computer with 10th Gen Intel® Core™ Processor

The ACO-6000-CML series is a flagship high-performance in-vehicle computer that meets railway and automotive certifications (EN50155 & E-Mark). This industrial computer delivers exceptional connectivity by supporting up to 16 IoT devices for enhanced intelligent transportation.

- 10th Gen Intel® Core/Xeon Processor
- Max. 64GB DDR RAM (ECC & Non-ECC)
- 4x SATA SSD Bay (2x External Hot-Swappable, 2x Internal)
- Up to 16x IoT Ports
- EN50155 & E-Mark Certifications
- 2x EDGEBoost Bracket

[See Product](#)



RCO-6000-CFL AI Edge Inference Computer with 9th Gen Intel® Core™ Processor

The RCO-6000-CFL series utilizes a split-architecture to consolidate resource-intensive AI workloads in real-time while providing power and connectivity to IoT devices.

- 9th Gen Intel® Core™ Processor
- Max. 64GB DDR4 RAM
- High-Speed I/O On-board
- 4x SATA SSD Bay (2x External Hot-Swappable, 2x Internal)
- On-board M.2 M-Key
- Compatible with EDGEBoost Nodes (Dedicated GPU and/or U.2 NVMe Storage)
- 2x EDGEBoost Bracket

[See Product](#)



RCO-3000-CML Small Form Factor Computer with 10th Gen Intel® Core™ Processor

The RCO-3000-CML series delivers high-performance in spatially restricted deployments with its socket-type design within a compact chassis. Although small, this SFF industrial computer provides plentiful IIoT-centric I/O.

- 10th Gen Intel® Core™ Processor
- Max. 64GB DDR4 RAM
- 2x SATA SSD Bay (1x External Hot-Swappable, 1x Internal)
- On-board M.2 E-Key & M.2 B-Key
- 1x EDGEBoost Bracket

[See Product](#)



ACO-6000-KBL In-Vehicle Computer with 7th Gen Intel® Core™ Processor

The ACO-6000-KBL series provides plentiful I/O connectivity (up to 16) and is certified for seamless integration into embedded automotive applications.

- 7th Gen Intel® Core™ Processor
- Max. 32GB DDR4 RAM
- 4x SATA SSD Bay (2x External Hot-Swappable, 2x Internal)
- Up to 16x IoT Ports
- 2x EDGEBoost Bracket

[See Product](#)