



PROPRIETARY MODULE

# EBIO-4LAN-M12

EDGEBoost I/O Module with 4x LAN M12 Ports



## Features

EDGEBoost I/O module supporting 4x locking GbE M12 LAN ports for industrial environments that require ingress protection from dust, debris, shock and vibration. Optional Power over Ethernet support is also available through an additional add-on module

- 4x 1GbE LAN M12 Ports
- Intel® Ethernet Controller I210
- PCIe x1 Gold Fingers Interface (PCIe 3.0 x1 Performance)
- Occupies x1 EDGEBoost Bracket

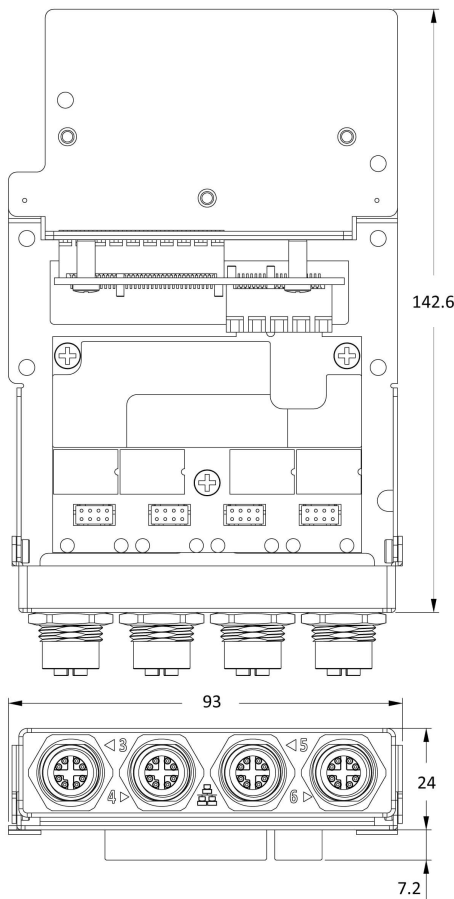
## Specifications

LAN Chipset	Intel® Ethernet Controller I210
Interface	PCIe x1 gold finger (PCIe 3.0 x4 performance)
Additional I/O	4x M12 X-code 8-Pin, Female Ports
I/O Bracket	Occupies x1 EDGEBoost Bracket
Standards and Certifications	UL, CE, FCC Class B

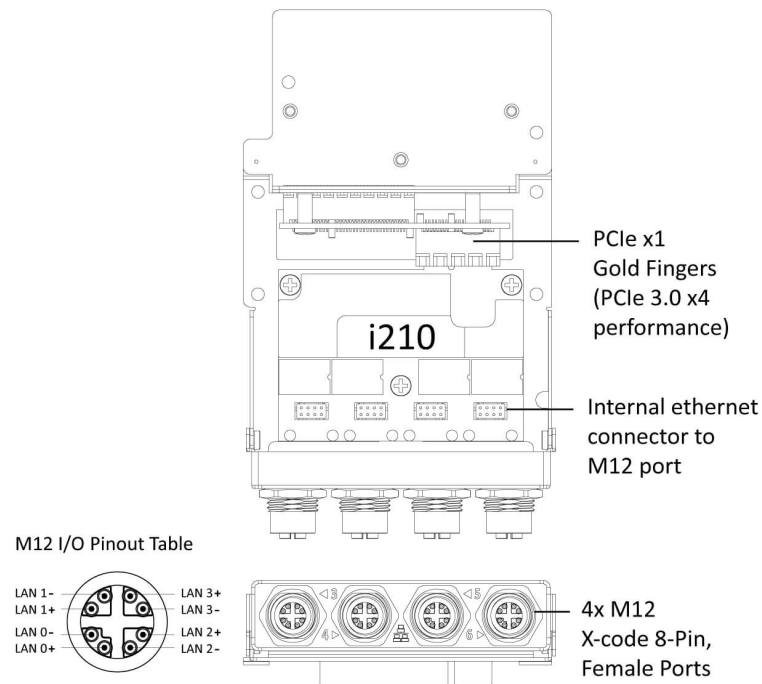
## Available Models

- PSENETRA3000-4L-M12  
EBIO, 4 x GbE LAN, M12 (RCO-3000-KBL-U)
- PSENETR6000-4L-M12  
EBIO, 4 x GbE LAN, M12 (RCO-6000-KBL)

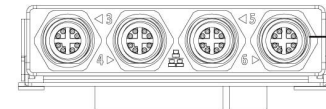
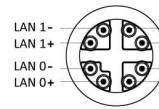
## Dimension (Unit: mm)



## External I/O Mechanical Layout



M12 I/O Pinout Table



\* All specifications and photos are subject to change without notice.



### RCO-6000-KBL Industrial Computer with 7th Gen Intel® Core™ Processor

The RCO-6000-KBL series is designed for real-time AI data processing at the edge. Suitable for Industry 4.0 industrial automation, surveillance, and other key industries that require AI workload consolidation.

- 7th Gen Intel® Core™ Processor
- Max. 32GB DDR RAM
- 4x SATA SSD Bay (2x External Hot-Swappable, 2x Internal)
- 2x EDGEBoost Bracket

[See Product](#)



### RCO-3000-KBL-U Small Form Factor Computer with 7th Gen Intel® Core™ U Series Processor

The RCO-3000-KBL-U series provides dependable performance for challenging edge computing environments through its compact and ruggedized design.

- 7th Gen Intel® Core™ U-Series Processor
- Max. 16GB DDR4 RAM
- 2x SATA SSD Bay (1x External Hot-Swappable, 1x Internal)
- Dual External SIM Slots
- 1x EDGEBoost Bracket

[See Product](#)