



PROPRIETARY MODULE

EB10-4LAN

EDGEBoost I/O Module with 4x LAN Ports



Features

EDGEBoost I/O module supporting 4x GbE LAN ports for wired connectivity. Optional Power over Ethernet support is available through an additional add-on module

- 4x RJ45 1GbE LAN Ports
- Intel® Ethernet Controller I210
- PCIe x1 Gold Fingers Interface (PCIe 3.0 x1 Performance)
- Occupies x1 EDGEBoost Bracket

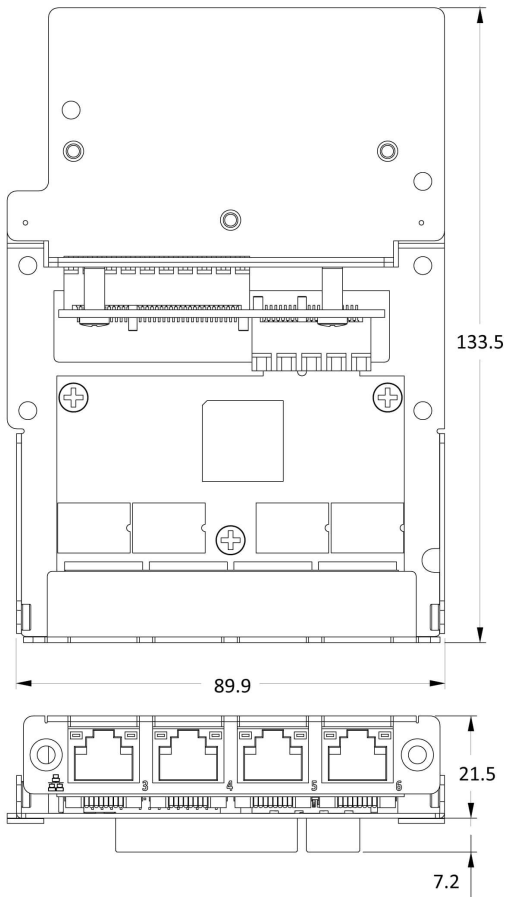
Specifications

LAN Chipset	Intel® Ethernet Controller I210
Interface	PCIe x1 gold finger (PCIe 3.0 x4 performance)
Additional I/O	4x RJ45 GbE LAN Ports
I/O Bracket	Occupies x1 EDGEBoost Bracket
Standards and Certifications	UL, CE, FCC Class B

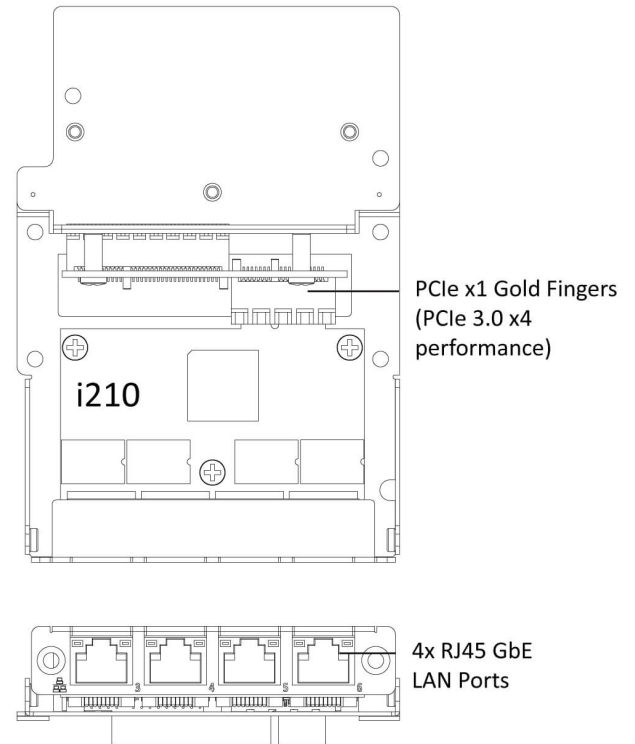
Available Models

- PSENETRA3000-4L
EB10, 4 x GbE LAN RJ45, (RCO-3000-KBL-U)
- PSENETR6000-4L
EB10, 4 x GbE LAN RJ45, (RCO-6000-KBL)

Dimension (Unit: mm)



External I/O Mechanical Layout



* All specifications and photos are subject to change without notice.



RCO-6000-KBL Industrial Computer with 7th Gen Intel® Core™ Processor

The RCO-6000-KBL series is designed for real-time AI data processing at the edge. Suitable for Industry 4.0 industrial automation, surveillance, and other key industries that require AI workload consolidation.

- 7th Gen Intel® Core™ Processor
- Max. 32GB DDR RAM
- 4x SATA SSD Bay (2x External Hot-Swappable, 2x Internal)
- 2x EDGEBoost Bracket

[See Product](#)



RCO-3000-KBL-U Small Form Factor Computer with 7th Gen Intel® Core™ U Series Processor

The RCO-3000-KBL-U series provides dependable performance for challenging edge computing environments through its compact and ruggedized design.

- 7th Gen Intel® Core™ U-Series Processor
- Max. 16GB DDR4 RAM
- 2x SATA SSD Bay (1x External Hot-Swappable, 1x Internal)
- Dual External SIM Slots
- 1x EDGEBoost Bracket

[See Product](#)