



OPEN FRAME TOUCH MONITOR

FIO-FH2700C

27" IP65 FHD 16:9 Open Frame Industrial Touchscreen Monitor



Features

- 27" Full HD 1920 x 1080 LCD panel with LED power saving backlight technology
- 10 point PCAP for seamless multi-touch functions
- World Class Certifications for Safety and Reliability: UL Listed, FCC, and CE
- Front IP65 Rating for protection against water and dust
- Scratch Resistant 7H Glass Hardness
- Versatile Display Outputs; VGA, HDMI, and DP
- Wide viewing angles for superior clarity and readability
- OSD function for customization in brightness, color temp, contrast ratio, and more for stunning visuals
- Flexibled Mounting: VESA, Panel and Rear Mounting
- MTBF Up to 50,000 Hours and 3 year standard warranty
- Alternative to ELO Open Frame Touchscreens

Specifications

Display	
IP Rating	Front IP65
LCD Size	27" (16:9)
Max. Resolution	1920x1080@60Hz
Brightness (cd/m ²)	300nits
Contrast Ratio	3000:1
LCD Color	16.7M
Viewing Angle	178/178
Backlight MTBF	50,000 Hours
Display Active Area	597.6x336.15mm
Response Time	12ms
Touch	
Touch Type	Projected Capacitive (PCAP) Touch, Multi-Touch up to 10 points
Surface Hardness	7H
Transmission	83%
I/O	
OSD	1x Mini Din (External OSD)
USB	1x USB (Type B)
DP	1x DP
HDMI	1x HDMI
VGA	1x VGA
Power	
Power Adapter	100-240V AC, 50-60Hz
Power Supply Voltage	12 VDC
Power Connector	DC Jet 2.1mm
Power Consumption	Max: 28W
Environment	
Operating Temperature	0°C to 40°C
Storage Temperature	-20°C to 60°C
Relative Humidity	Operating: 20% to 80% Storage: 10% to 90% Non-Condensing
Compliance	
Certification	FCC, CE, UL 62368-1 3rd Ed
Warranty	3 Years
Physical	
Dimensions	644.2 (W) x 388.4 (H) x 40.8(D) mm
Weights	Net: 7.35kg
Construction	Black Case/Bezel Color
Mounting Options	VESA: 100x100 mm, 100x200 mm Rear Mounting, Side Mounting

Available Models

- FIO-FH2700C
- FIO-FH2700C 27" IP65 FHD 16:9 Open Frame Industrial Touchscreen Monitor

ELO Compatible Models:

- 2794L Series
- PN E707022
- PN E493591

Packing List

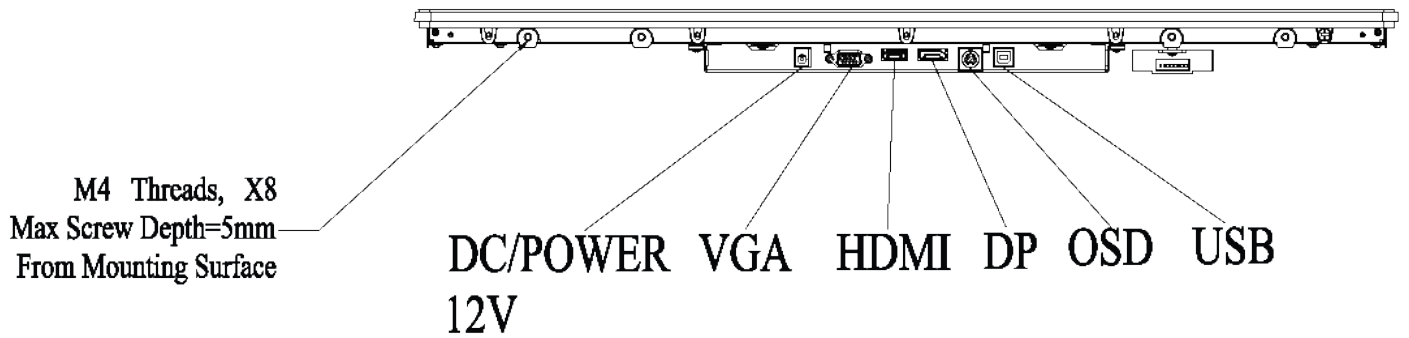
- 1x FIO Series Open-Frame Industrial Touch Monitor
- 1x Power Cord
- 1x Power Adapter
- 1x DP Cable
- 1x HDMI Cable
- 1x VGA Cable
- 1x USB cable for touch
- 1x OSD Remote
- 1x Rear Mounting Brackets

Exports And Tariff Codes

ECCN	EAR99
HTS	8528.59.1500
ScheduleB	85.28

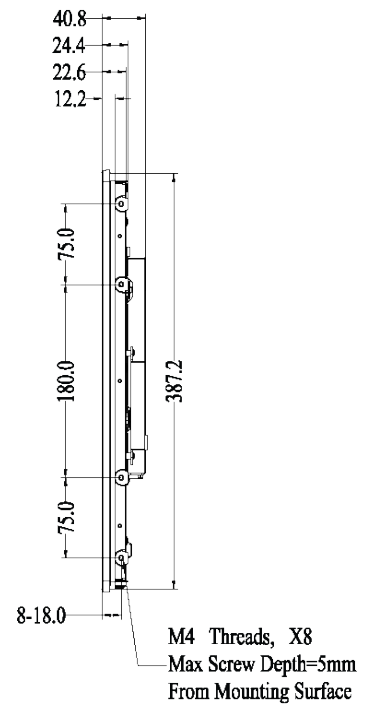
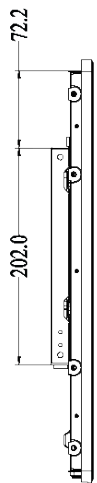
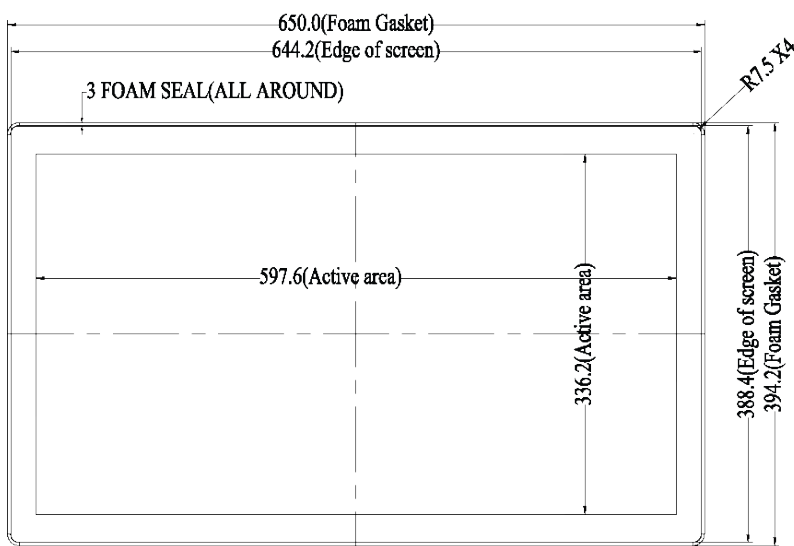
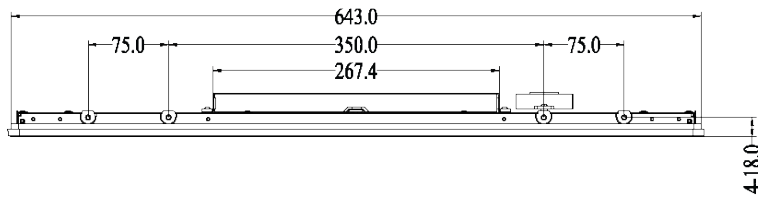
* All specifications and photos are subject to change without notice.

External I/O Mechanical Layout

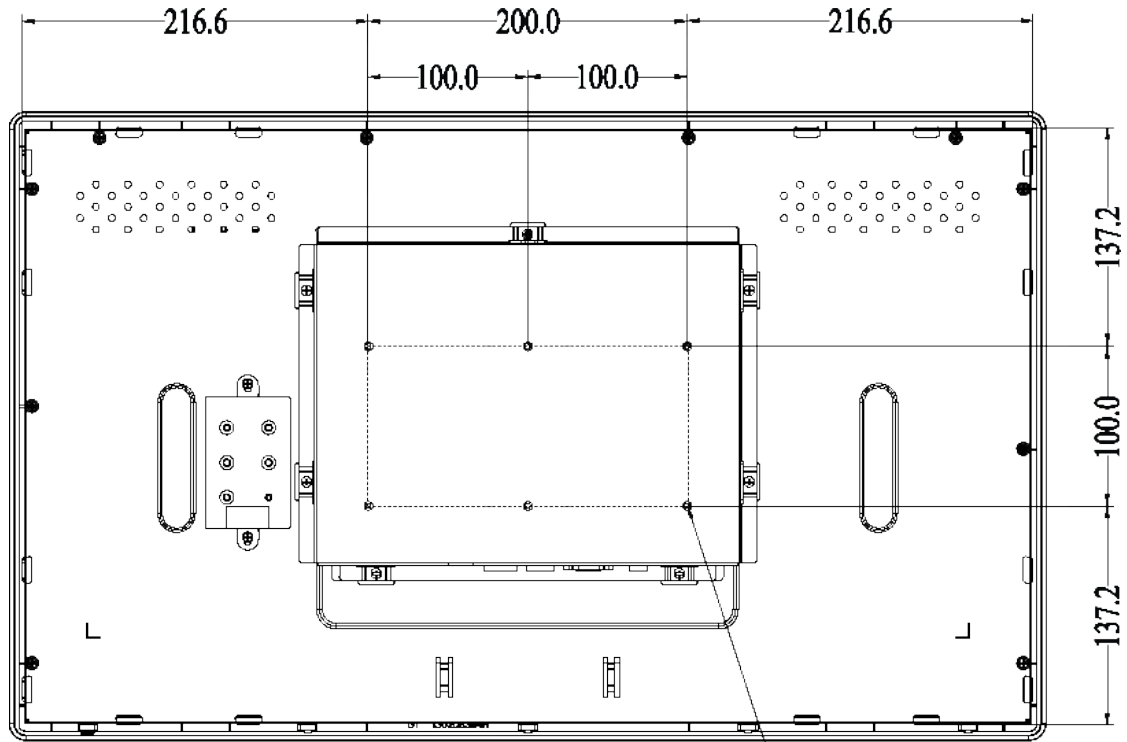


Dimension

Unit: mm

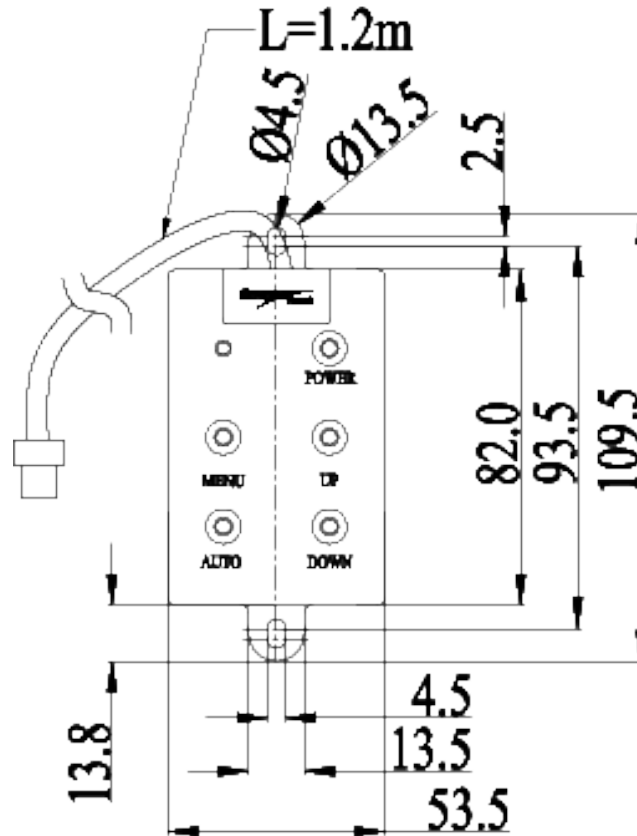


Mounting



VESA:M4 Threads, X6
Max Screw Depth=6mm
From Mounting Surface

OSD



OSD