



ALL IN ONE TOUCHSCREEN COMPUTER

AIO-W221-ADL

21.5" Full HD Capacitive IP65 All In One Touchscreen Computer With 12th Gen Intel® N Processor, 2x LAN, 4x USB, 2x COM 1x DP, 1x HDMI



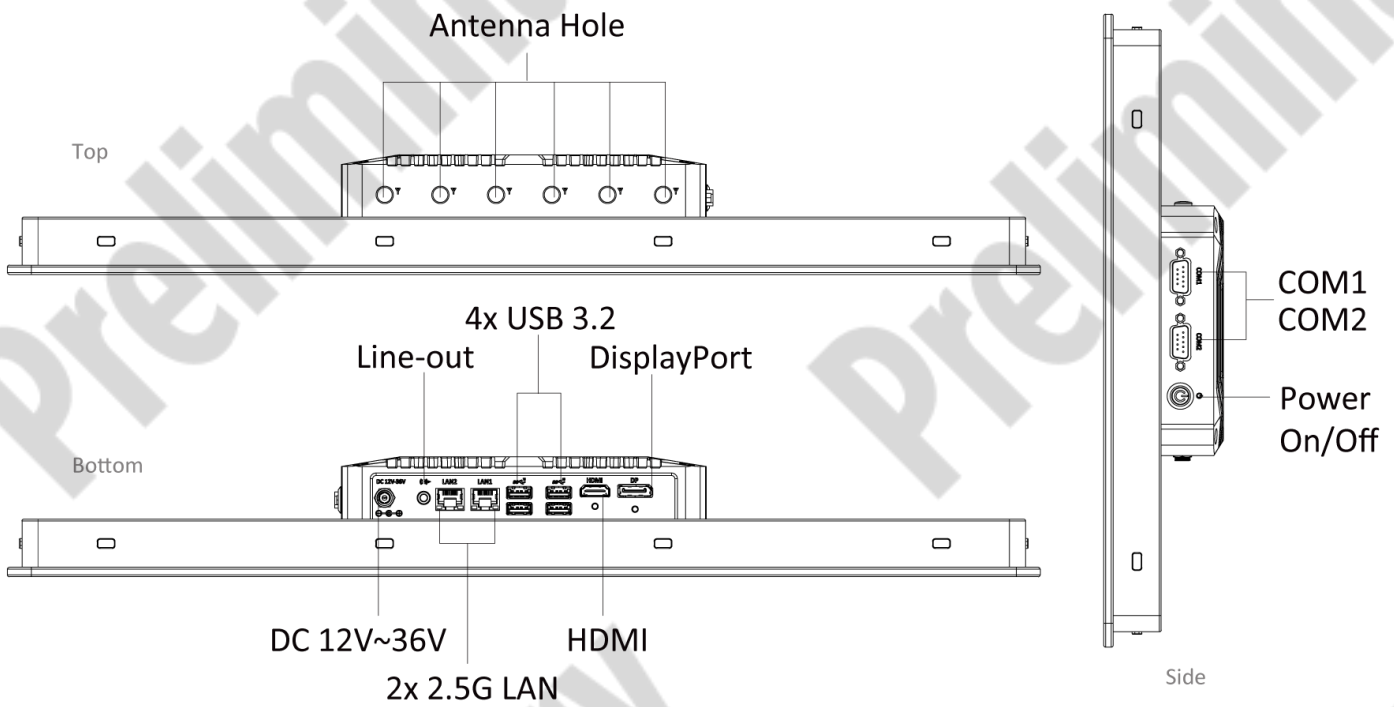
Features

- 21.5" (16:9) Full HD All-in-One Touchscreen Computer
- World Class Certifications for Safety and Reliability: CE/FCC/CB/UL/UKCA/IC
- Front IP65 Rating for protection against water and dust
- Scratch Resistant 7H Glass Hardness
- Versatile Display Outputs; HDMI and DP
- MTBF Up to 50,000 Hours

Specifications

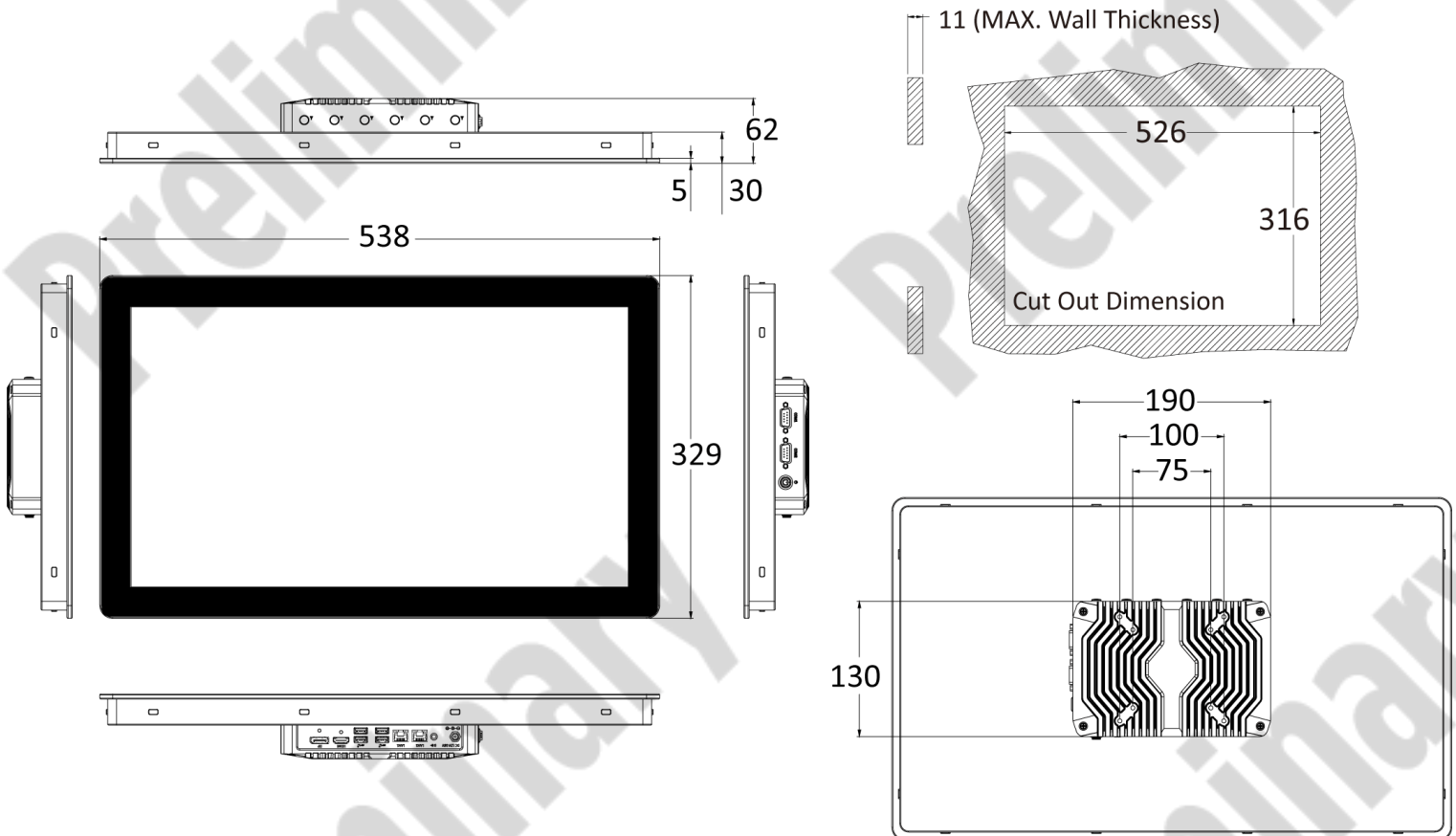
Display		Environment	
IP Rating	Front IP65	Operating Temperature	-10°C to 50°C
LCD Size	21.5" (16:9)	Storage Temperature	-20°C to 60°C
Max. Resolution	1920 x 1080 (Full HD)	Relative Humidity	10% to 80% (non-condensing)
Brightness (cd/m ²)	500 nits	Certification	CE, FCC Class B, CB, UL Listed, UKCA
Contrast Ratio	1000:1	Vibration	IEC60068-2-64:2008 With SSD: 5 Grms (5 - 500 Hz, 0.5 hr/axis) Designed to comply with MIL-STD-810G Method 514.7 Procedure I
LCD Color	16.7M	Shock	IEC60068-2-27:2008 With SSD: 50G half-sin 11ms Designed to comply with MIL-STD-810G Method 516.7 Procedure I
Pixel Pitch (mm)	0.248(H) x 0.248(V)	Physical	
Viewing Angle	89/89/89/89 (Typ.) (CR>=10)	Dimensions	538 (W) x 329 (H) x 62 (D) mm
Backlight MTBF	50,000 Hours (LED Backlight)	Weights	5.2 kg
Display Port	1x DP, support 4096 x 2304 Real 4K @60Hz	Mounting Options	Panel Mounting Holes M3 VESA Mount (75mm x 75mm/100mm x 100mm)
HDMI	1x HDMI, support 3840 x 2160 UHD@30Hz		
LVDS	Default touchscreen LCD, support 1920 x 1200 WUXGA @60Hz		
Touch			
Touch Type	Projected Capacitive Touch		
Surface Hardness	7H / IK07		
System			
Processor	Intel® Processor N97 6M Cache, up to 3.60 GHz		
System Chipset	SoC integrated		
LAN Chipset	GbE1: Intel I225-V (Support Wake-on-LAN and PXE) GbE1: Intel I225-V (Support Wake-on-LAN and PXE)		
Audio Codec	Realtek ALC897		
System Memory	DDR5 4800MT/s SODIMM. Max up to 16GB (Default: 8GB)		
BIOS	AMI uEFI 8Mbit SPI BIOS		
Watchdog	Software Programmable Supports 1~255 sec. System Reset		
Storage			
M.2 B Key	128G M.2 B Key SSD (Default)		
Expansion			
M.2 E Key	1x M.2 E Key Support WiFi 6e (Optional)		
I/O			
Audio	1x Audio out		
COM	2x RS-232/422/485 by internal cable		
LAN	2x 2.5GbE LAN		
USB	4x USB 3.2 Gen 2		
Others	Support 6x Dipole Antenna (optional)		
Operating System			
Windows	Windows 10 / Windows 11		
Linux	Linux Ubuntu 22.04		
Power			
Power Adapter	60W (12V 5A, Default)		
Power Supply Voltage	DC 12~36V		
Power Connector	DC Jack 5.5mm/2.5mm		

External I/O Mechanical Layout



Dimension

Unit: mm



Available Models

Model No.	Description
AIO-W221C-N97-P	21.5" Full HD Capacitive IP65 All In One Touchscreen Computer With 12th Gen Intel® N Processor, 2x LAN, 4x USB, 2x COM 1x DP, 1x HDMI

Optional Accessories

Model No.	Description
1-E09A06012	Adapter Output 12V 5A 60W / Input 100-240V
3-WIFI0801S10	WIFI 6E Module KIT, Intel, 2T2R & BT 5.3
1-TCOM00041	COM cable (CT-240125-01/CHEN PERNG)

Packing List

1x AIO-W221-ADL-N97 Touchscreen Computer
 1x Adapter 60W 12V 5A
 1x 128G M.2 B key SSD
 1x 8GB DDR5 4800 MT/s

Compliances and Standards

Shock	IEC60068-2-27:2008 With SSD: 50G half-sin 11ms Designed to comply with MIL-STD-810G Method 516.7 Procedure I IEC60068-2-27:2008 Designed to comply with MIL-STD-810G Method 516.7 Procedure I
Vibration	IEC60068-2-64:2008 With SSD: 5 Grms (5 - 500 Hz, 0.5 hr/axis) Designed to comply with MIL-STD-810G Method 514.7 Procedure I IEC60068-2-64:2008 Designed to comply with MIL-STD-810G Method 514.7 Procedure I
Operating Temperature	-10°C to 50°C IEC60068-2-1:2007 (Cold test procedure) IEC60068-2-2:2007 (Dry heat test procedure) IEC60068-2-3:2007 (Damp heat, steady state, test procedure) IEC60068-2-14:2009 (Wide temperature range thermal shock)
EMI	<ul style="list-style-type: none"> • CE • FCC Class B • FCC Class A (47 CFR part 15.109 and part 15.107) • ICES-003 • UKCA
Safety	<ul style="list-style-type: none"> • UL Safety: UL62368-1, 3rd Ed., (cULus) • Test procedure: CB Scheme • Standard: IEC 62368-1:2018