



INDUSTRIAL COMPUTER

# RCO-1000-J1900-10B

Industrial Computer with Intel® Celeron® J1900 Processor, 4x COM



## Features

- Intel® E3845, or J1900 processor onboard
- 1x SO-DIMM socket, DDR3L-1066/1333, up to 8GB
- Dual independent display supported by 1x DVI-I
- 4x COM, 1x USB 3.0, 3x USB 2.0, 2x GbE
- 2x mini-PCIe (1x mSATA auto-switch)
- 2x external SIM slots
- 1x Universal I/O
- Line-out/Mic-in phone jacks
- Power switch, remote switch, AT/ATX select
- Operating temperature: -25 °C ~ 70 °C
- Vibration: 5 Grms, 5 - 500 Hz, 0.5 hr/axis; Shock: 50G, half sine, 11ms (with SSD)
- TPM 2.0 Support

## Specifications

System	
Processor	Intel® Atom™ E3827 (MOQ, Build to Order Only) Intel® Atom™ E3845, Quad Core, 2MB Cache, 1.91 GHz Intel® Celeron® J1900, Quad Core, 2MB Cache, 2.0 GHz
System Chipset	SoC integrated
LAN Chipset	GbE1: Intel® I210-AT (Support Wake-on-LAN and PXE)
Audio Codec	Realtek ALC888S
System Memory	1x 204-Pin DDR3L 1066/1333MHz SODIMM. Max up to 8GB
BIOS	AMI 64Mbit SPI BIOS
Watchdog	Software Programmable Supports 1~255 Sec. System Reset
TPM	TPM 2.0
Display	
DVI	1x DVI-I
Multiple Display	Dual Display
VGA	Yes (by optional split cable)
Storage	
mSATA	1x mSATA (shared by 1x Mini PCIe)
SIM Socket	2x External SIM socket
SSD/HDD	1x Internal 2.5" SATA HDD Bay
Expansion	
Mini PCIe	2x Full-size Mini PCIe
I/O	
Audio	1x Mic-in, 1x Line-out
COM	2x RS-232/422/485 2x RS-232/422/485 (module)
LAN	2x GbE RJ45
USB	1x USB 3.0, 3x USB 2.0
Others	4x WiFi Antenna Holes 1x Power Switch, 1x AT/ATX Switch, 1x Remote Power On/Off
Operating System	
Windows	Windows 10, Windows 8.1, WES8.1, Windows 7, WES7
Linux	Linux kernel 3.X
Power	
Power Adapter	Optional AC/DC 12V/5A, 60W
Power Management	ACPI 5.0a compliant
Power Mode	AT/ATX selectable
Power Supply Voltage	9 ~ 48 VDC
Power Connector	3-pin Terminal Block

Power Protection	Over-Voltage Protection (OVP) Over-Current Protection (OCP) Reverse Polarity Protection (RPP)
------------------	---

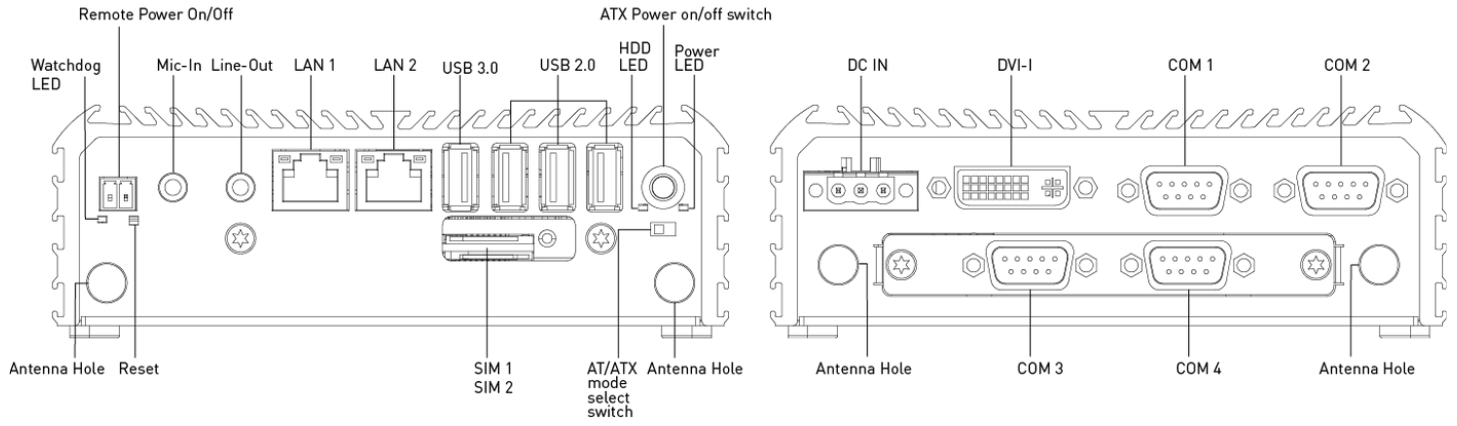
Environment	
Operating Temperature	-25 °C ~ 70 °C (-13 °F ~ 158 °F)
Storage Temperature	-30 °C ~ 85 °C (-22 °F ~ 185 °F)
Relative Humidity	10% to 95% (non-condensing)
Vibration	with SSD: 5 Grms, 5 - 500 Hz, 0.5 hr/axis with HDD: 1 Grms, 5 - 500 Hz, 0.5 hr/axis
Shock	with SSD: 50G, half sine, 11ms
Physical	
Dimensions	5.91" x 4.13" x 1.93" (150 x 105 x 49 mm)
Weights	0.88kg
Construction	Extruded aluminum with heavy duty metal
Mounting Options	Wall Mounting Side / VESA / DIN-Rail Mounting (Optional)

\* All specifications and photos are subject to change without notice.

External I/O Mechanical Layout

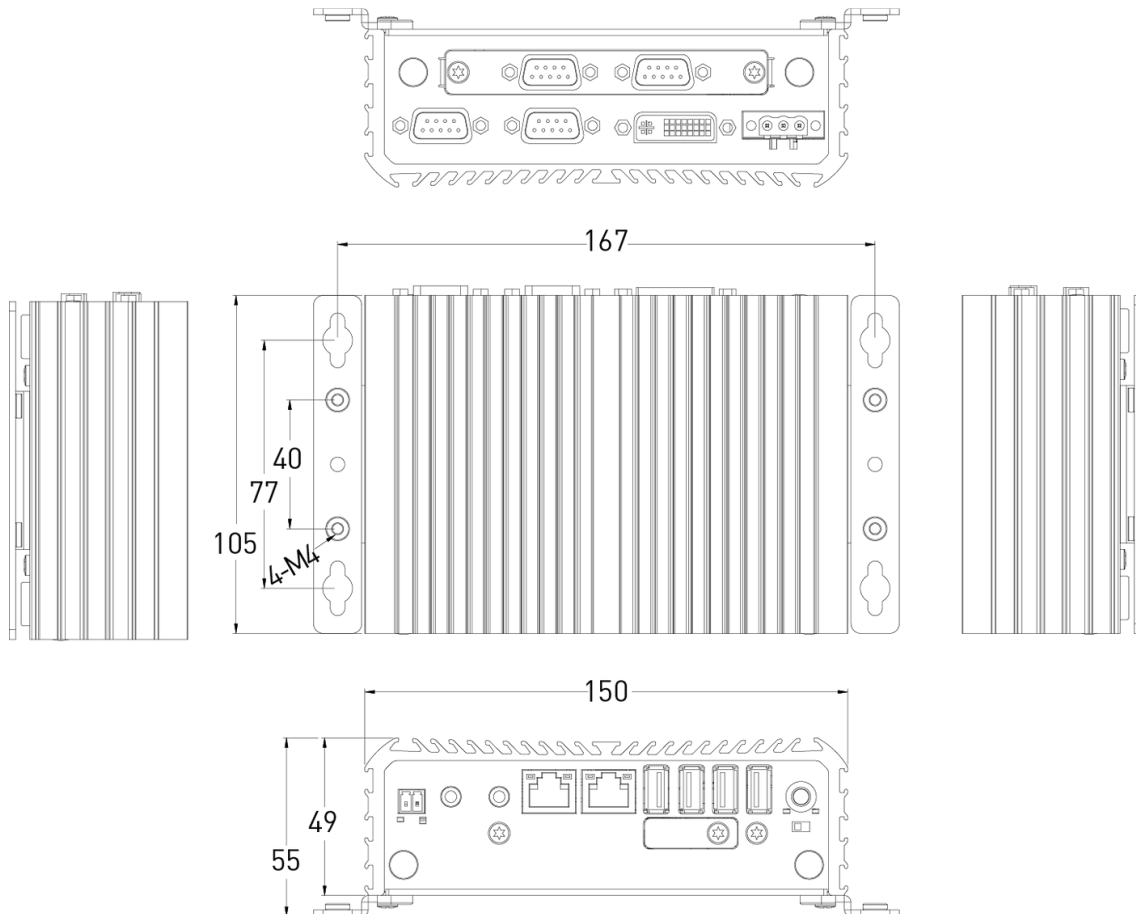
Front Panel

Rear Panel



Dimension

Unit: mm



## Available Models

Model No.	Description
RCO-1000-J1900-10B-P	Industrial Computer with Intel® Celeron® J1900 Processor, 4x COM

## Optional Accessories

Model No.	Description
1-E09A06008	Adapter AC/DC 12V 5A 60W with 3pin Terminal Block Plug 5.0mm Pitch
999930	Power Cord, 3-pin US Type, 180cm
1-TPCD00002	Power Cord, European Type, 180cm
1-TPCD00001	Power Cord, 3-pin UK Type, 180cm

## Packing List

- 1x RCO-1000-J1900-10B
- 1x Utility DVD Driver
- 1x Wall Mount Kit
- 1x Accessory Kit
- 1x DVI to VGA Adapter

## Exports And Tariff Codes

ECCN	5A992.c
HTS	8471.50.0150
Schedule B	84.71