



INDUSTRIAL COMPUTER

RCO-1000-J1900-10G

Small Form Factor Computer with Intel® Celeron® J1900 Processor, Power Ignition

Features

- Intel® Celeron® J1900 Processor, 2.0GHz
- 1x 204-pin DDR3L SODIMM. Max up to 8GB
- Dual independent display supported by 1x DVI-I
- 2x Intel® GbE supporting Wake-on-LAN and PXE
- 1x 2.5" SATA HDD bay, 1x mSATA, 2x SIM socket
- 2x Full-size mini PCIe for communication or expansion modules
- 2x RS-232/422/485, 1x USB 3.0, 3x USB 2.0
- 9 to 48VDC wide range power input supporting AT/ATX mode
- -25°C to 70°C extended operating temperature



Specifications

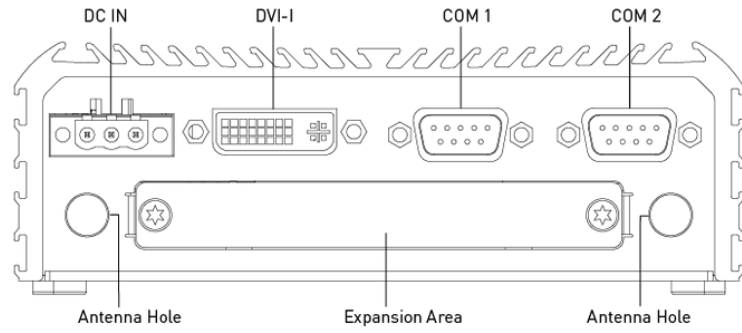
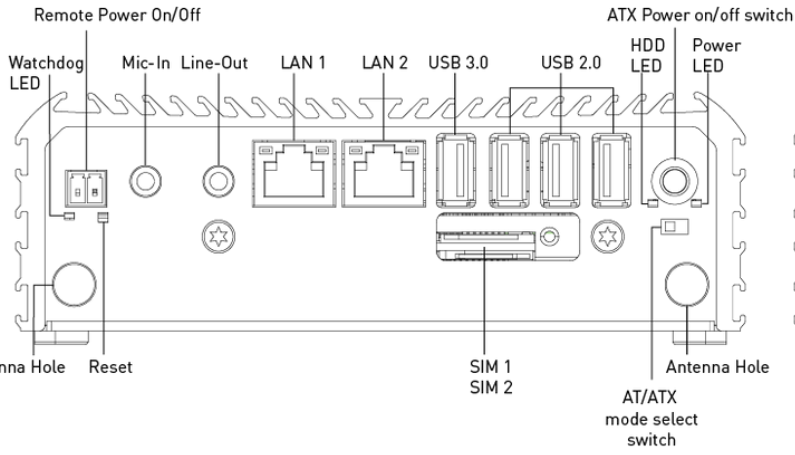
System	
Processor	Intel® Celeron® J1900, Quad Core, 2MB Cache, 2.0 GHz
System Chipset	SoC integrated
LAN Chipset	GbE1 & GbE2: Intel® I210-AT (Support Wake-on-LAN and PXE)
Audio Codec	Realtek ALC888S
System Memory	1x 204-Pin DDR3L 1066/1333MHz SODIMM. Max up to 8GB
BIOS	AMI 64Mbit SPI BIOS
Watchdog	Software Programmable Supports 1~255 Sec. System Reset
Display	
DVI	1x DVI-I
Multiple Display	Dual Display
VGA	Yes (by optional split cable)
Storage	
mSATA	1x mSATA (shared by 1x Mini PCIe)
SIM Socket	2x External SIM socket
SSD/HDD	1x Internal 2.5" SATA HDD Bay
Expansion	
Mini PCIe	2x Full-size Mini PCIe
I/O	
Audio	1x Mic-in, 1x Line-out
COM	2x RS-232/422/485
LAN	2x GbE RJ45
Universal I/O Bracket	1x Universal I/O Bracket (For Mini PCIe application)
USB	1x USB 3.0, 3x USB 2.0
Others	4x WiFi Antenna Holes 1x Power Switch, 1x AT/ATX Switch, 1x Remote Power On/Off
Operating System	
Windows	Windows 10, Windows 8.1, WES8.1, Windows 7, WES7
Linux	Linux kernel 3.X
Power	
Power Adapter	Optional AC/DC 12V/5A, 60W
Power Management	ACPI 5.0a compliant
Power Mode	AT/ATX selectable
Power Supply Voltage	9 ~ 48 VDC
Power Connector	3-pin Terminal Block
Power Protection	Over-Voltage Protection (OVP) Over-Current Protection (OCP) Reverse Polarity Protection (RPP)
Environment	
Operating Temperature	-25 °C ~ 70 °C (-13 °F ~ 158 °F)

Storage Temperature	-40 °C ~ 85 °C
Relative Humidity	10% to 95% (non-condensing)
Vibration	5 Grms, 5 ~ 500 Hz, 0.5 hr/axis (SSD) 1 Grms, 5 ~ 500 Hz, 0.5 hr/axis (HDD)
Shock	50G, half-sine, 11 ms (SSD)
Physical	
Dimensions	150 (W) x 105 (D) x 49 (H) mm
Weights	0.85 kg
Construction	Extruded aluminum with heavy duty metal
Mounting Options	Wall/VESA/DIN-Rail mounting kits (optional)

External I/O Mechanical Layout

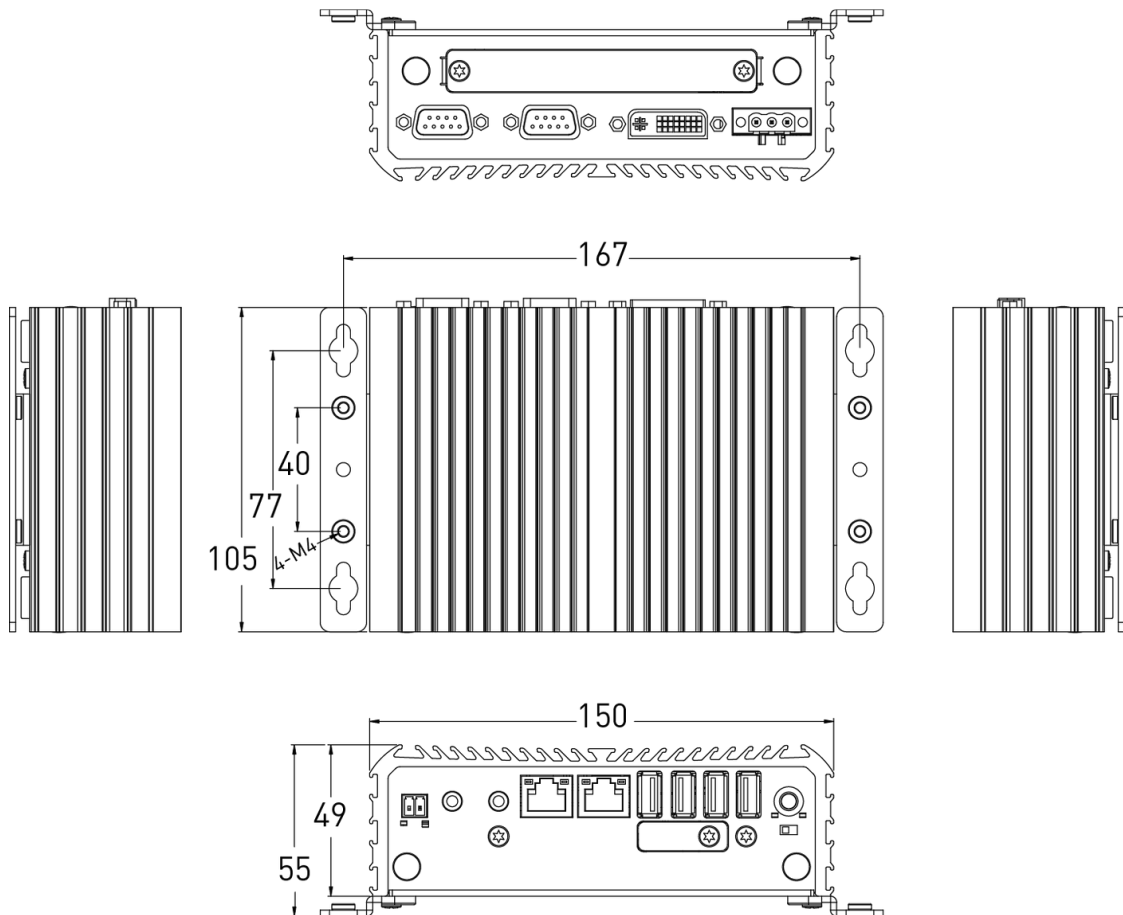
Front Panel

Rear Panel



Dimension

Unit: mm



Available Models

Model No.	Description
RCO-1000-J1900-10G-P	Industrial Computer with Intel® Celeron® J1900 Processor, Power Ignition

Optional Accessories

Model No.	Description
1-E09A06008	Adapter AC/DC 12V 5A 60W with 3pin Terminal Block Plug 5.0mm Pitch
999930	Power Cord, 3-pin US Type, 180cm
1-TPCD00002	Power Cord, European Type, 180cm
1-TPCD00001	Power Cord, 3-pin UK Type, 180cm

Packing List

- 1x RCO-1000-J1900-10G
- 1x Utility DVD Driver
- 1x Wall Mount Kit
- 1x Accessory Kit
- 1x DVI to VGA Adapter

Exports And Tariff Codes

ECCN	5A992.c
HTS	8471.50.0150
ScheduleB	84.71