



# RCO-3000-KBL-U-1

Industrial Computer with 7th Gen Intel® Core™ Mobile-U Processor, 1x Expansion



## Features

- Intel® 7th Gen (Kabylake-U) Processor Core™ i5-7300U, Core™ i3-7100U
- 1x DDR4 SODIMM. max up to 16GB
- Triple independent display supported by 1x VGA and 2x DisplayPort
- 2x Intel® GbE supporting Wake-on-LAN and PXE
- 2x 2.5" SATA HDD Bay (1x internal, 1x removable) with RAID 0, 1, 5 support, 1x mSATA (shared by 1x Mini PCIe), and 1x CFast (shared by 1x mSATA)
- 2x full-size mini PCIe for communication or expansion modules, 2x SIM socket
- 5x RS-232/422/485 (w/ 3x internal), 4x USB 3.0, 2x USB 2.0
- 1x PCIe x4 or PCI expansion
- 8x DI + 8x DO with isolation
- 9 to 50VDC wide range power input supporting AT/ATX mode
- -40°C to 70°C extended operating temperature

## Specifications

### System

Processor	7th Gen Intel® Core™ i5-7300U Processor, Dual Core, 3MB Cache, up to 3.5 GHz 7th Gen Intel® Core™ i3-7100U Processor, Dual Core, 3MB Cache, 2.4 GHz
System Chipset	SoC integrated
LAN Chipset	GbE1: Intel® I219LM (Support Wake-on-LAN and PXE) GbE2: Intel® I210-AT (Support Wake-on-LAN and PXE)
Audio Codec	Realtek ALC888S
System Memory	1x 260-Pin DDR4 1866/2133MHz SODIMM. Max. up to 16GB
BIOS	AMI 128Mbit SPI BIOS
Watchdog	Software Programmable Supports 1~255 Sec. System Reset

### Display

Display Port	2x DP
Multiple Display	Triple Display
VGA	1x VGA

### Storage

CFast	1x CFast (shared by 1x mSATA & 1x SATA)
mSATA	1x mSATA (shared by 1x Mini PCIe & 1x SATA)
SIM Socket	2x External SIM socket
SSD/HDD	1x Internal 2.5" SATA HDD Bay 1x Hotswap 2.5" SATA HDD Bay Support RAID 0, 1, 5, 10

### Expansion

Mini PCIe	2x Full-size Mini PCIe
PCI	1x PCI (1I-Model)
PCIe	1x PCIe x4(1E-Model)

### I/O

Audio	1x Mic-in, 1x Line-out
COM	2x RS-232/422/485 3x RS-232/422/485 (Internal)
DIO	8 in / 8 out (Isolated)
LAN	2x GbE RJ45 (Base Model) 4x GbE RJ45 (Module) 4x GbE M12 (Module)
USB	4x USB 3.0, 2x USB 2.0
Others	4x WiFi Antenna Holes 1x Power Switch, 1x AT/ATX Switch, 1x Remote Power On/Off

### Operating System

Windows	Windows 10
Linux	Linux kernel 4.X

### Power

Power Adapter	Optional AC/DC 12V/5A, 60W
---------------	----------------------------

Power Mode	AT, ATX
Power Ignition Sensing	Power Ignition Management
Power Supply Voltage	9~50VDC
Power Connector	3-pin Terminal Block
Power Protection	OVP (Over Voltage Protection) OCP (Over Current Protection) Reverse Protection

### Environment

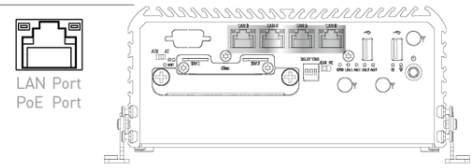
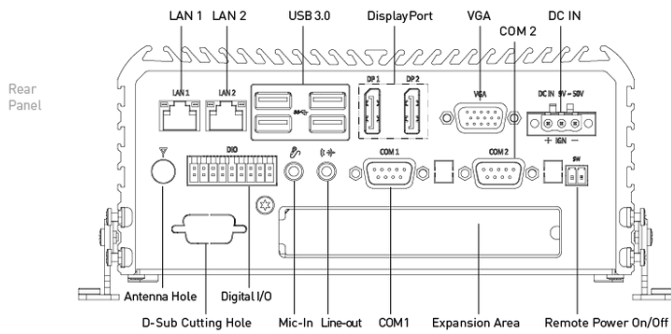
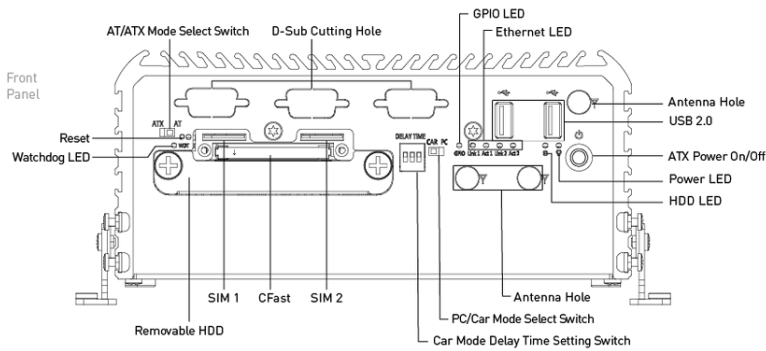
Operating Temperature	-40°C to 70°C
Storage Temperature	-40°C to 85°C
Relative Humidity	10% to 95% (non-condensing)
Certification	CE, FCC Class A
Vibration	with SSD: 5 Grms, 5 - 500 Hz, 0.5 hr/axis with HDD: 1 Grms, 5 - 500 Hz, 0.5 hr/axis
Shock	Shock with SSD: 50G, half sine, 11ms

### Physical

Dimensions	192 (W) x 197 (D) x 85.1 (H) mm
Construction	Extruded Aluminum with Heavy Duty Metal
Mounting Options	Wall Mounting

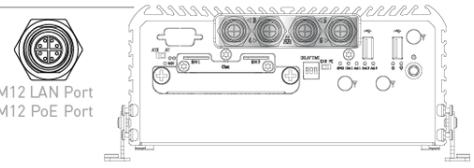
## External I/O Mechanical Layout

### EXTERNAL I/O MECHANICAL LAYOUT



**RCO-3411E-4L**  
Additional 4x Intel® GbE  
2x RS-232/422/485 (w/ 1x internal)

**RCO-3411E-4P**  
Additional 4x Intel® GbE with PoE function  
2x RS-232/422/485 (w/ 1x internal)



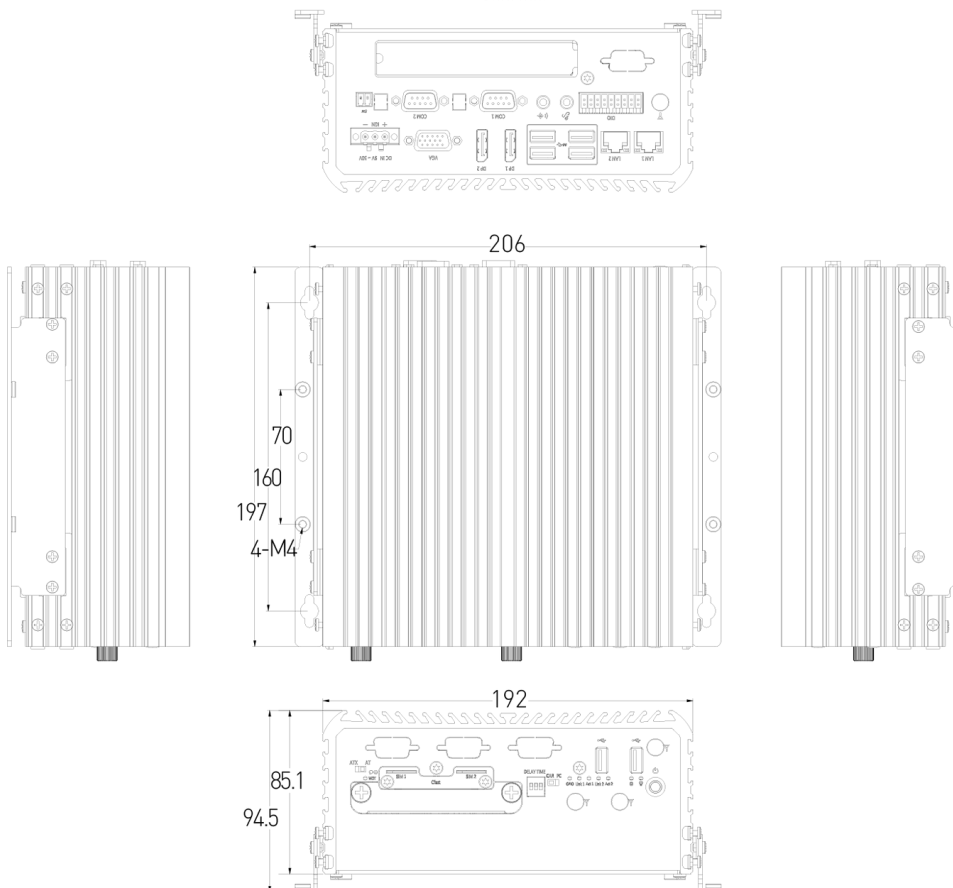
**RCO-3411E-4L-M12**  
Additional 4x Intel® GbE with M12 connector  
2x RS-232/422/485 (w/ 1x internal)  
Optional AC/DC 24V/9.2A, 220W

**RCO-3411E-4P-M12**  
Additional 4x Intel® GbE with M12 PoE function  
2x RS-232/422/485 (w/ 1x internal)  
Optional AC/DC 24V/9.2A, 220W

## Dimension

Unit: mm

Unit: mm



### Available Models

Model No.	Description
RCO-3000-KBL-7100U-1-P	Industrial Computer with 7th Gen Intel® Core™ i3-7100U Mobile-U Processor, 1x PCIe Expansion
RCO-3000-KBL-7300U-1-P	Industrial Computer with 7th Gen Intel® Core™ i5-7300U Mobile-U Processor, 1x PCIe Expansion

### Optional Accessories

Model No.	Description
1-E09A22102	Adapter AC/DC 24V 9.2A 220W with 3pin Terminal Block Plug 5.0mm Pitch
1-E09A06008	Adapter AC/DC 12V 5A 60W with 3pin Terminal Block Plug 5.0mm Pitch
999930	Power Cord, 3-pin US Type, 180cm
1-TPCD00002	Power Cord, European Type, 180cm
1-TPCD00001	Power Cord, 3-pin UK Type, 180cm

### Packing List

- 1x RCO-3000-KBL-U-1
- 1x Utility DVD Driver
- 1x Wall Mount Kit
- 1x Accessory Kit
- 1x DVI to VGA Adapter

### Exports And Tariff Codes

ECCN	5A992.c
HTS	8471.50.0150
Schedule B	84.71