

Specifications

System	
Processor	Support 6th & 7th Gen Intel® Core™ i7 / i5 / i3 / Pentium® / Celeron® Desktop Processor (LGA 1151)

- 7th Gen Intel® Core™ i7-7700T, Quad Core, 8MB cache, up to 3.8 GHz
- 7th Gen Intel® Core™ i5-7500T, Quad Core, 6MB cache, up to 3.3 GHz
- 7th Gen Intel® Core™ i3-7101TE, Dual Core, 3MB Cache, 3.4 GHz
- 6th Gen Intel® Core™ i7-6700TE, Quad Core, 8MB Cache, up to 3.4 GHz
- 6th Gen Intel® Core™ i5-6500TE, Quad Core, 6MB Cache, up to 3.3 GHz
- 6th Gen Intel® Core™ i3-6100TE, Dual Core, 4MB Cache, 2.7 GHz
- Intel® Pentium® G4400TE, Dual Core, 3MB Cache, 2.4 GHz
- Intel® Celeron® G3900TE, Dual Core, 2MB Cache, 2.3 GHz

System Chipset	Intel® Q170 Express Chipset
LAN Chipset	GbE1: Intel® I219LM (Support Wake-on-LAN and PXE) GbE2: Intel® I210-AT (Support Wake-on-LAN and PXE)
Audio Codec	Realtek ALC888S
System Memory	2x DDR4 1866/2133MHz SODIMM. Max. up to 32GB
Graphics	Intel® HD Graphics 530 / 630
BIOS	AMI 128Mbit SPI BIOS
Watchdog	Software Programmable Supports 1~255 Sec. System Reset
TPM	TPM 2.0

Display	
Display Port	1x DP
DVI	1x DVI-I
HDMI	1x HDMI (Optional)
Multiple Display	Triple Display

Storage	
CFast	1x CFast
mSATA	2x mSATA (shared by 2x Mini PCIe)
SIM Socket	2x External SIM socket
SSD/HDD	2x Internal 2.5" SATA HDD Bay Support RAID 0, 1, 5, 10

Expansion	
Mini PCIe	2x Full-size Mini PCIe

I/O	
Audio	1x Mic-in, 1x Line-out
COM	2x RS-232/422/485 2x RS-232/422/485 (Internal)
DIO	8 in / 8 out (Isolated)
LAN	2x RJ45

Features

- LGA 1151 socket for 6th/7th Gen. Intel® Core™ i7/i5/i3 or Pentium® / Celeron® Desktop Processor
- Intel® Q170 chipset
- 2x DDR4 1866/2133MHz SODIMM. Max. up to 32GB
- Intel® HD Graphics 530 / 630
- Triple independent display supported by 1x DVI-I, 1x DisplayPort, 1x HDMI (Optional)
- 2x Intel® GbE supporting Wake-on-LAN and PXE
- 2x internal 2.5" SATA HDD bay with RAID 0, 1, 5, 10 support, 2x mSATA (shared by 2x Mini PCIe), 1x CFast
- 2x full-size Mini PCIe (shared by 2x mSATA) for communication or expansion modules, 2x external SIM socket
- 4x RS-232/422/485 (w/ 2x internal), 6x USB 3.0, 2x USB 2.0 (internal)
- 8x DI + 8x DO with isolation
- 9 to 50VDC wide range power input supporting AT/ATX mode
- -25°C to 60°C extended operating temperature

USB	6x USB 3.0, 2x USB 2.0
Others	4x WiFi Antenna Holes 1x Power Switch, 1x AT/ATX Switch, 1x Remote Power On/Off

Operating System	
Windows	6th Gen CPU: Windows 10, Windows 7, WES7 7th Gen CPU: Windows 10
Linux	Linux kernel 4.X

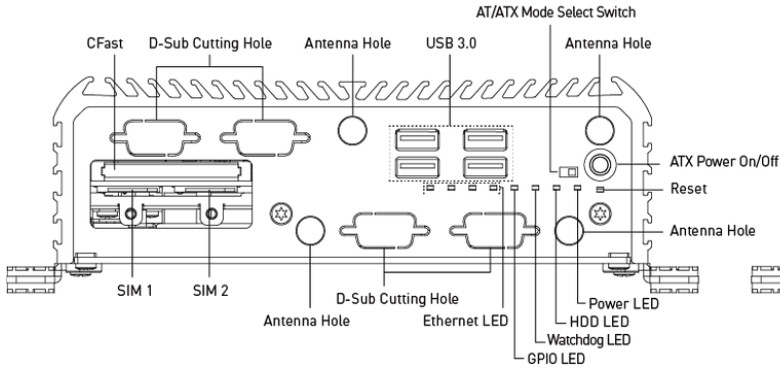
Power	
Power Adapter	Optional AC/DC 12V/5A, 60W
Power Mode	AT, ATX
Power Supply Voltage	9~50VDC
Power Connector	3-pin Terminal Block
Power Protection	OVP (Over Voltage Protection) OCP (Over Current Protection) Reverse Protection

Environment	
Operating Temperature	-25°C to 60°C
Storage Temperature	-40°C to 85°C
Relative Humidity	10% to 95% (non-condensing)
Certification	CE, FCC Class A
Vibration	with SSD: 5 Grms, 5 - 500 Hz, 0.5 hr/axis with HDD: 1 Grms, 5 - 500 Hz, 0.5 hr/axis
Shock	Shock with SSD: 20G, half sine, 11ms

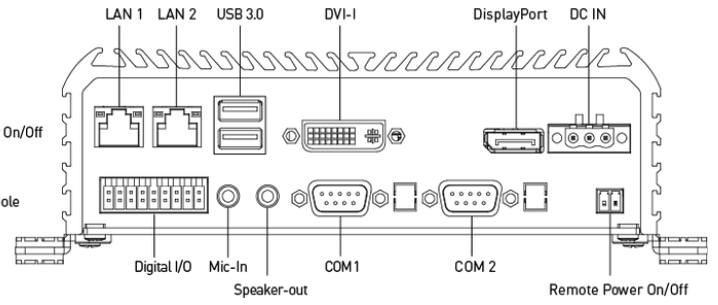
Physical	
Dimensions	185 (W) x 197 (D) x 57.4 (H) mm
Weights	2.28kg
Construction	Extruded Aluminum with Heavy Duty Metal
Mounting Options	Wall Mounting DIN-Rail Mounting(Optional)

External I/O Mechanical Layout

Front Panel

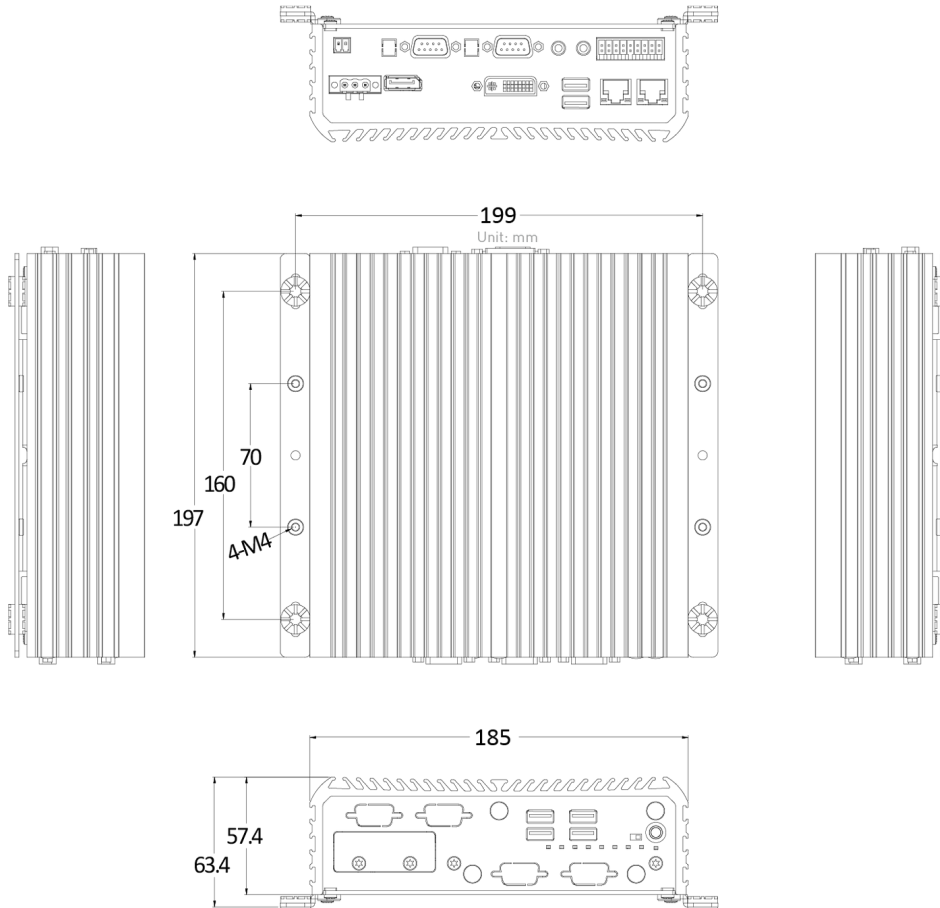


Rear Panel



Dimension

Unit: mm



Available Models

Model No.	Description
RCO-3000-KBL-P	Industrial Computer with 7th Gen Intel® Core™ Processor and Q170 PCH

Optional Accessories

Model No.	Description
1-E09A06008	Adapter AC/DC 12V 5A 60W with 3pin Terminal Block Plug 5.0mm Pitch
999930	Power Cord, 3-pin US Type, 180cm
1-TPCD00002	Power Cord, European Type, 180cm
1-TPCD00001	Power Cord, 3-pin UK Type, 180cm

Packing List

- 1x RCO-3000-KBL
- 1x Utility DVD Driver
- 1x Wall Mount Kit
- 1x Accessory Kit

Exports And Tariff Codes

ECCN	5A992.c
HTS	8471.50.0150
Schedule B	84.71