



S10-W221-I5-8365UE

21.5" Stainless Steel Panel PC with Intel® Core™ i5-8365UE Processor, M12 US PWR Cord

Features

- 21.5" Full HD 16:9 LCD with resistive 5-wire / projected capacitive touch
- Intel® Core™ i5-8365UE Processor, 4.10 GHz
- 1x DDR4 2400MHz SO-DIMM memory slot, 1x mSATA slot for internal storage
- M12 2x LAN, 4x USB, 2x COM
- 1x Full-size Mini PCIe for expansion
- Support 110V to 240V AC power input by M12 Power Connector
- Fanless Operation from -10°C to 50°C
- Full system IP66/IP69K with Stainless Steel SUS316 construction
- Touch Function ON/OFF Switch
- Scratch-resistant and Wear-resistant 7H Tempered Glass
- Optical Bonding for ultimate clarity
- Pressure Valve SUS316 VENT

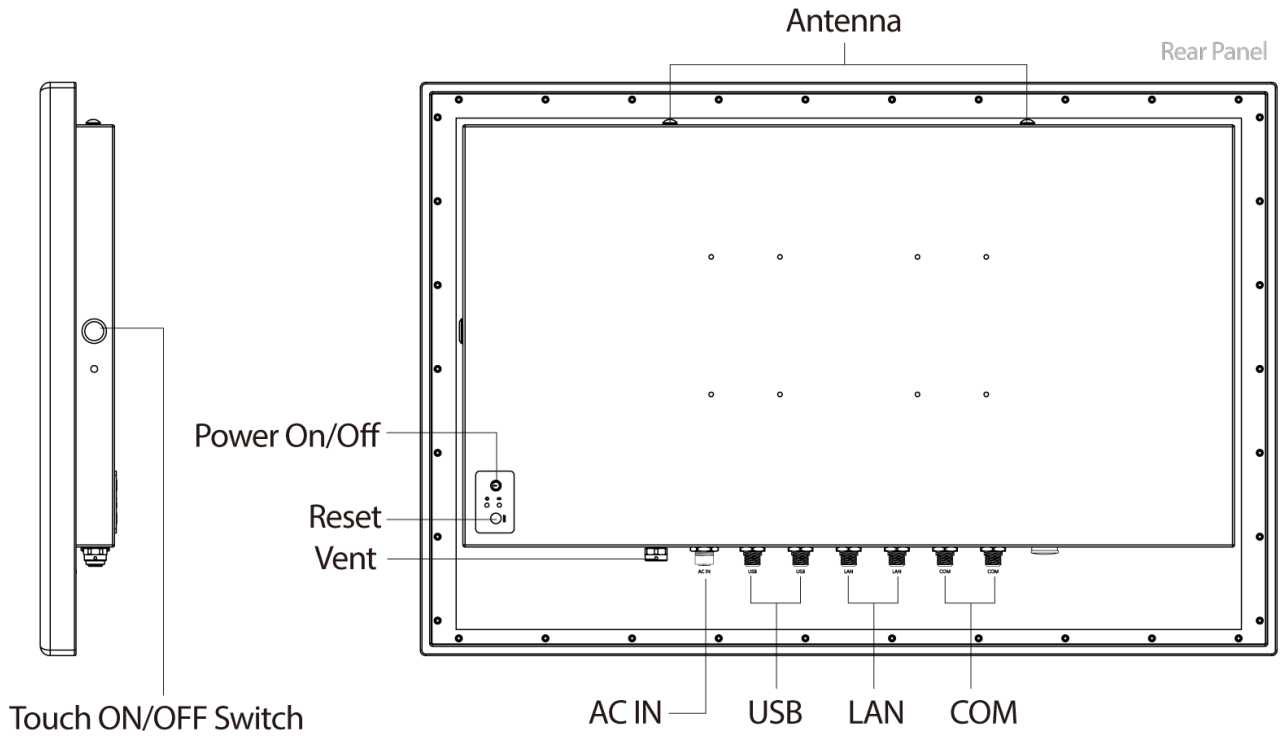


Specifications

Display	
IP Rating	IP66/IP69K
LCD Size	21.5" (16:9)
Max. Resolution	1920 x 1080 (FHD)
Brightness (cd/m ²)	350
Contrast Ratio	1000:1
LCD Color	16.7M
Pixel Pitch (mm)	0.248 (H) x 0.248 (V)
Surface hardness	>3H
Response time	12ms
Viewing Angle	89 / 89 / 89 / 89 (Typ.) (CR>=10)
Backlight MTBF	60000 hrs (LED Backlight)
Operating Temperature	0°C to 60°C
Storage Temp.	-20°C to 60°C
Touch	
Surface hardness	Resistive 5-wire >3H Projected Capacitive 7H
Touch points	Resistive Single point Projected Capacitive 2 point
Impact absorption	Projected Capacitive IK07
System	
Processor	
Intel® Core™ i5-8365UE Processor 6M Cache, up to 4.10 GHz	
System Chipset	SoC Integrated
LAN Chipset	GbE1: Intel® I210-IT (Support Wake-on-LAN and PXE) GbE2: Intel® I219-LM (Support Wake-on-LAN and PXE)
Audio Codec	Realtek ALC886
System Memory	1x 260-Pin DDR4 2400MHz SO-DIMM slot, Max 32GB
TPM	TPM 2.0 Through Infineon® SLB9665TT2.0 or Equivalent
Storage	
mSATA	1x mSATA
SIM Socket	1x Internal SIM socket
Expansion	
Mini PCIe	1x Full-size Mini PCIe
I/O	
COM	2x RS-232/422/485 by M12 A-Code 8-pin
LAN	2x LAN by M12 X-Code 8-pin
USB	4x USB 2.0 by M12 A-code 8-pin
Others	2x WiFi Antenna (Optional) Power On/Off, Reset IP68/IP69K SUS 316 Vent
Operating System	
Windows	Windows 10, Windows 7, WES7
Linux	Linux kernel 3.X

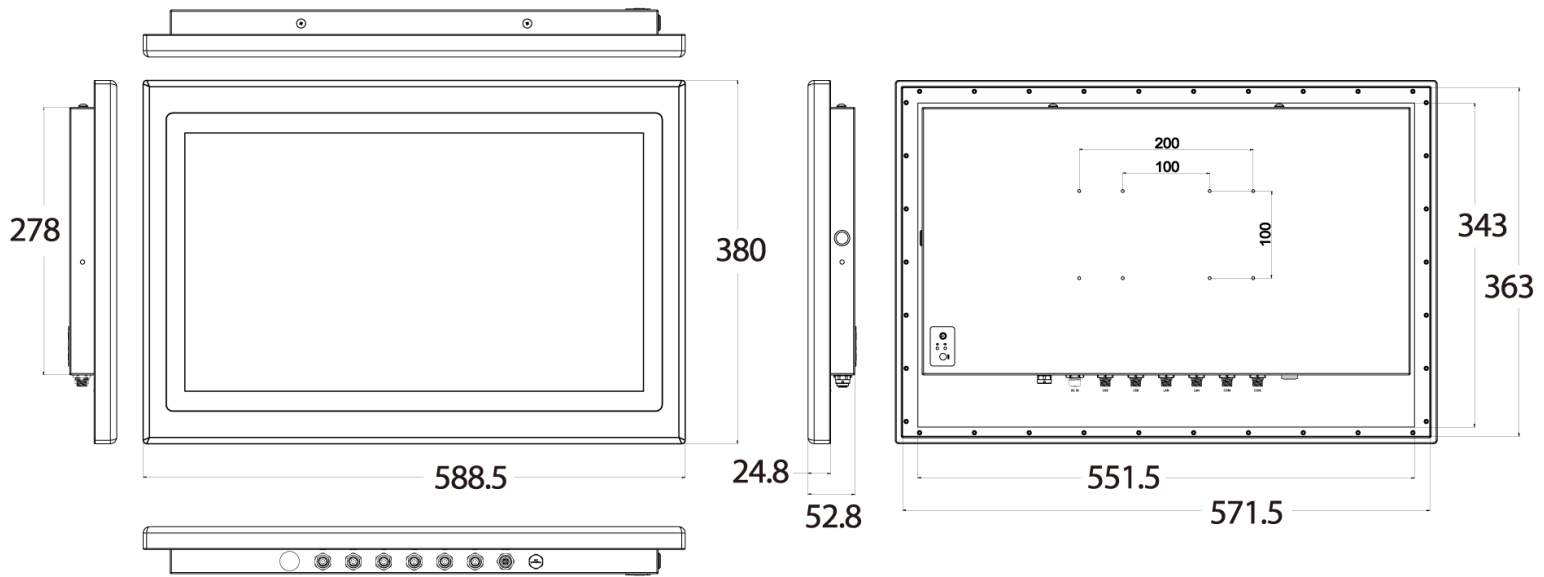
Power	
Power Mode	ATX
Power Supply Voltage	110 ~ 240V AC Input
Power Connector	M12 S-code 4-pin
Environment	
Operating Temperature	-20°C to 50°C
Storage Temperature	-20°C to 70°C
Relative Humidity	10% ~ 80% (non-condensing)
IP Level	Full System IP66/IP69K
Certification	CE, FCC Class A
Vibration	With SSD: 2.4 Grms, 5 - 500 Hz, 0.5 hr/axis With HDD: 1 Grms, 5 - 500 Hz, 0.5 hr/axis
Shock	With SSD: 20G, half sine, 11ms
Physical	
Dimensions	588.5 (W) x 380 (H) x 52.8 (D) mm
Weights	8.6 kg
Construction	Stainless Steel SUS316 with Optical bonding
Mounting Options	VESA Mounting Holes 100 x 100mm or 200 x 100mm Optional Yoke Mount, Panel Mount

External I/O Mechanical Layout



Dimension

Unit: mm



Available Models

Model No.	Description
SIO-W221C-8365UE-P2	21.5" FHD Capacitive Touch Stainless Steel Panel PC with Intel CPU i5-8365UE, AC IN, M12 US PWR Cord ,Optical bonding
SIO-W221R-8365UE-P2	21.5" FHD Resistive Touch Stainless Steel Panel PC with Intel CPU i5-8365UE, AC IN, M12 US PWR Cord ,Optical bonding

Optional Accessories

Model No.	Description
1-TPWR00092	Waterproof M12 S-CODE 4P PWR Cable(SUS316L)_Type_US L=3M
1-TCOM00032	Waterproof M12 A-CODE 8P COM Cable(SUS316L)_DB9 L=1.5M
1-TLAN00024	Waterproof M12 X-CODE 8P LAN Cable(SUS316L)_CAT 5E_RJ45 L=1.5M
1-TUSB00057	Waterproof M12 A-CODE 8P USB 2.0 Cable(SUS316L)_Type A*2 L=1.6M

Packing List

- 1x SIO-W221-I5-8365UE
- 7x Waterproof Connector Cover Set
- 1x Waterproof M12 SUS 316 AC Power cable S code

Exports And Tariff Codes

ECCN	EAR99
HTS	8528.59.1500
ScheduleB	85.28