



# S10-W324-ASL

23.8" Stainless Steel Panel PC with Intel Atom® x7000 Series Processor, 2x LAN, 2x COM, 2x USB



## Features

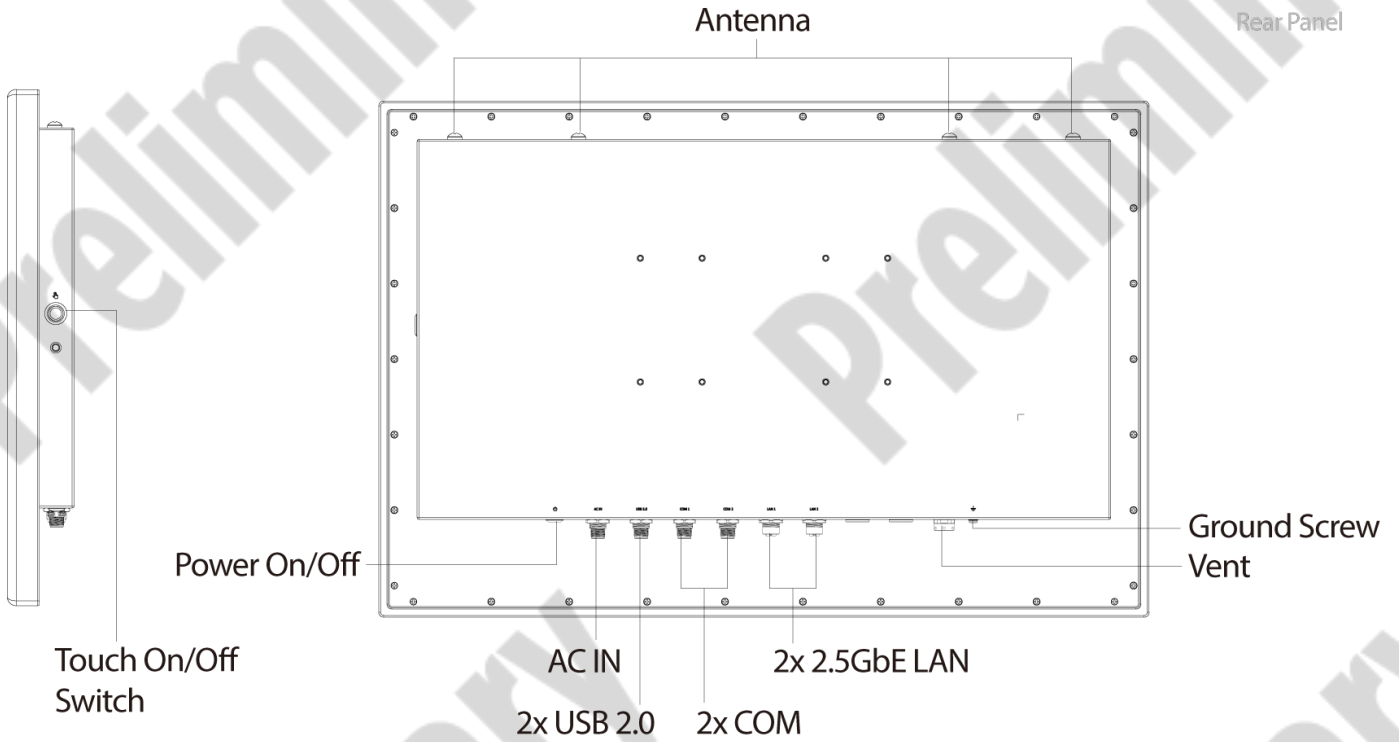
- 23.8" (16:9) FHD LCD Capacitive Touch
- 1x DDR5 4800/5600MT/s SODIMM Max. 32GB
- 1x M.2 B Key, 1x M.2 E Key
- 2x 2.5GbE LAN, 2x USB, 2x COM
- Support 110V to 240V AC power input
- Fanless Operation from -10°C to 50°C
- Full system IP66/IP69K with Stainless Steel SUS316 construction
- Scratch Resistant 7H Glass Hardness
- Optical Bonding for ultimate clarity
- Pressure Valve SUS316L VENT
- CE, FCC Class A

## Specifications

Display	
IP Rating	IP66/IP69K
LCD Size	23.8" (16:9)
Max. Resolution	1920 x 1080 (FHD)
Brightness (cd/m <sup>2</sup> )	450 nits
Contrast Ratio	1000:1
LCD Color	16.7M
Pixel Pitch (mm)	0.248 (H) x 0.248 (V)
Viewing Angle	89 / 89 / 89 / 89 (Typ.) (CR>=10)
Backlight Lifetime	50,000 hrs (LED Backlight)
Touch	
Projected Capacitive Touch	Surface Hardness: 7H / IK07 Multi-touch: Default 2 point (Support Glove Mode) Anti-noise: CS 10V rms
Resistive Touch (Option)	Surface Hardness: 3H Touch Point: single Touch IP Rating: IP65
System	
Processor	Standard - Intel® Processor N97 6M Cache, up to 3.60 GHz 4 core 12W Project Based - Intel® Atom® x7835RE Processor 6M Cache, up to 3.60 GHz, 8 core 12W
System Chipset	SoC Integrated
LAN Chipset	GbE1: Intel i226V 2.5GbE LAN PXE Support GbE2: Intel i226V 2.5GbE LAN PXE Support
Audio Codec	Realtek ALC897
System Memory	1x DDR5 4800/5600 MT/s SO-DIMM. Max. 32GB
BIOS	AMI uEFI 256MB SPI flash
Watchdog	Software Programmable Supports 1~255 sec. System Reset
Storage	
SATA	1x 2.5" SATA SSD (optional)
M.2	1x M.2 B key 2242/3042 NVMe/SATA SSD (optional 4G/5G)
Expansion	
M.2	1x M.2 E Key for Wi-Fi 6E (Optional)
I/O	
COM	COM1: 1x RS232/422/485 by M12 A-Code 8-pin (Default RS232) COM2: 1x RS232 by M12 A-Code 8-pin
LAN	2x LAN by M12 X-Code 8-pin
USB	1x M12 A-code by 2x USB 2.0 (8-pin)
Others	4x Antennas (Optional) Power On/Off SUS 316 Vent
Operating System	
Windows	Windows 10/11
Linux	Ubuntu 22.04 / 24.04 LTS
Power	
Power Mode	AT / ATX (default)
Power Supply Voltage	110 ~ 240V AC Input
Power Connector	M12 S-code 4-pin
Environment	
Operating Temperature	-10°C to 50°C
Storage Temperature	-20°C to 70°C

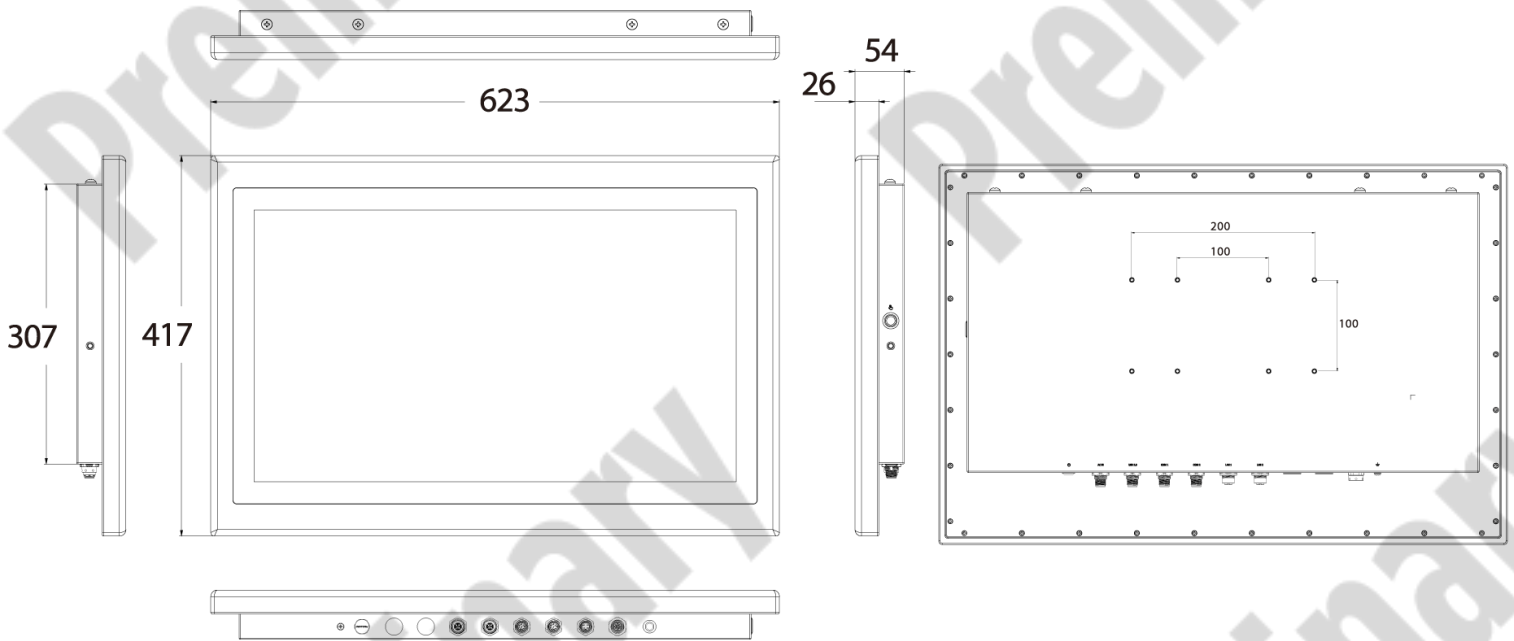
Relative Humidity	10% ~ 80% (non-condensing)
IP Level	Full System IP66/IP69K
Certification	CE,FCC Class A
Vibration	With SSD: 3 Grms (5 - 500 Hz, 0.5 hr/axis)
Shock	With SSD: 20G half-sin 11ms
Physical	
Dimensions	623 (W) x 417 (H) x 54 (D) mm
Weights	12 kg
Construction	Stainless Steel SUS316 with Optical bonding
Mounting Options	VESA Mounting Holes 100 x 100 mm or 200 x 100 mm Optional Yoke Mount

External I/O Mechanical Layout



Dimension

Unit: mm



## Available Models

Model No.	Description
SIO-W324C-N97	23.8" FHD Capacitive Touch Stainless Steel Panel PC with Intel® N97 Processor, 2x LAN, 2x COM, 2x USB
SIO-W324R-N97	23.8" FHD Resistive Touch Stainless Steel Panel PC with Intel® N97 Processor, 2x LAN, 2x COM, 2x USB
SIO-W324C-X7835RE	23.8" FHD Capacitive Touch Stainless Steel Panel PC with Intel Atom® x7835RE Processor, 2x LAN, 2x COM, 2x USB
SIO-W324R-X7835RE	23.8" FHD Resistive Touch Stainless Steel Panel PC with Intel Atom® x7835RE Processor, 2x LAN, 2x COM, 2x USB

## Optional Accessories

Model No.	Description
1-TCOM00032	Waterproof COM Cable 1.5M
1-TLAN00024	Waterproof LAN Cable 1.5M
1-TUSB00057	Waterproof USB 2.0 Cable 1.6M
1-TPWR00106	Waterproof M12 S-CODE 4P PWR Cable(SUS316L) Type_EU L=3M
1-TPWR00092	Waterproof M12 S-CODE 4P PWR Cable(SUS316L) Type_US L=3M
1-TGND00001	Grounding extension cable 3M

## Packing List

1x SIO-W324 Stainless Steel Panel PC  
 1x Waterproof Connector Cover Set  
 1x Waterproof AC Power Input M12 S-CODE 4P PWR Cable

## Exports And Tariff Codes

ECCN	EAR99
HTS	8528.59.1500
ScheduleB	85.28

## Compliances and Standards

Shock	With SSD: 20G half-sin 11ms IEC60068-2-27:2008 Designed to comply with MIL-STD-810H Method 516.8 Procedure I
Vibration	With SSD: 3 Grms (5 - 500 Hz, 0.5 hr/axis) IEC60068-2-64:2008 Designed to comply with MIL-STD-810H Method 514.8 Procedure I
Operating Temperature	-10°C to 50°C IEC60068-2-1:2007 (Cold test procedure) IEC60068-2-2:2007 (Dry heat test procedure) IEC60068-2-3:2007 (Damp heat, steady state, test procedure) IEC60068-2-14:2009 (Wide temperature range thermal shock)
EMI	<ul style="list-style-type: none"> <li>FCC Class A (47 CFR part 15.109 and part 15.107)</li> <li>CE</li> <li>ICES-003</li> <li>UKCA</li> </ul>