

Features

- 15" TFT 1024×768 XGA 4:3 LCD
- Resistive 5-wire or Projected Capacitive Touch
- 1x VGA, 1x DVI-D, 1x HDMI, 1x DisplayPort, 1x USB 2.0, 1x COM, 1x Audio
- 9 to 48 VDC wide range power input
- -10 °C to 60 °C extended operating temperature
- Aluminum die-casting front panel
- IP65 compliant front panel
- Two 10W internal speakers
- Multi-language OSD
- VESA mount option
- High Brightness Display and Optical Bonding (Optional)

Specifications

Display Panel	
IP Rating	IP65
LCD Size	15" (4:3)
Max. Resolution	1024 x 768 (XGA)
Brightness (cd/m ²)	350 / 1000 (optional)
Contrast Ratio	700:1
LCD Color	16.2M
Pixel Pitch (mm)	0.297(H) x 0.297(V)
Viewing Angle	170/160
Backlight MTBF	50000 hrs (LED Backlight)
Touch	
Touch Type	VIO-215R-13, VIO-215HR-13, VIO-215HR-13-OB, VIO-215C-13, VIO-215HC-13, VIO-215HC-13-OB
I/O	
Audio	1x Audio Input
COM	1x COM (For Resistive Touch)
USB	1x USB 2.0 (For Resistive Touch or P-CAP Touch)
DP	1x DP
DVI-D	1x DVI-D
HDMI	1x HDMI
VGA	1x VGA
Optical Bonding	Optional, contact us for more information
OSD	LCD On/Off, Auto, Menu Up And Down Multi-Language
Speaker	AMP 10W + 10W
Power	
Power Adapter	Optional AC/DC 12V/5A, 60W
Power Management	Power Ignition Management
Power Mode	AT, ATX
Power Supply Voltage	9~48 VDC
Power Connector	3-Pin Terminal Block
Power Protection	OVP (Over Voltage Protection) OCP (Over Current Protection) Reverse Protection
Environment	
Operating Temperature	-10 °C ~ 60 °C (14 °F ~ 140 °F)
Storage Temperature	-20 °C to 70 °C (-4 °F to 158 °F)
Relative Humidity	10% ~ 80% (non-condensing)

IP Level	IP 65 Compliant Front Panel
Certification	CE, FCC Class A
Physical	
Dimensions	377 x 301 x 64.7 mm (14.8" x 11.9" x 2.5")
Weights	VIO-215R-MX100: 5.43 kg (12.0 lb) VIO-215C-MX100: 5.33 kg (11.8 lb)
Mounting Options	VESA Mounting Holes 75 x 75mm, 100 x 100mm

Available Models

VIO-215C-13	15" Thin Frame Display Module, XGA, Capacitive, 2x 10W Speaker
VIO-215HC-13	15" Thin Frame Display Module, XGA, Capacitive, High Brightness, 2x 10w Speaker, V13
VIO-215HC-13-OB	15" Thin Frame Display Module, XGA, Capacitive, High Brightness, Optical Bonding, 2x 10w Speaker, V13
VIO-215HR-13	15" Thin Frame Display Module, XGA, Resistive, High Brightness, 2x 10w Speaker, V13
VIO-215HR-13-OB	15" Thin Frame Display Module, XGA, Resistive, High Brightness, Optical Bonding, 2x 10w Speaker, V13
VIO-215R-13	15" Thin Frame Display Module, XGA, Resistive, 2x 10W Speaker
MX100H-P	Touch Screen Module, 1x HDMI, 1x VGA, 1x DP, 1x USB2.0, 60W

Packing List

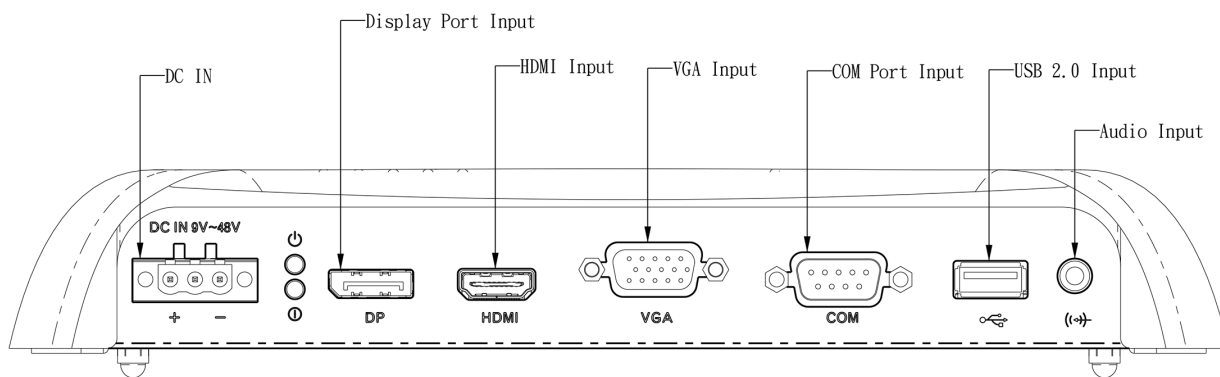
- 1x VIO-215-MX100H
- 1x Panel Mount Kit
- 1x USB Cable
- 1x VGA Cable
- 1x Screw Pack

Exports And Tariff Codes

ECCN	EAR99
HTS	8528.59.1500
ScheduleB	85.28

* All specifications and photos are subject to change without notice.

External I/O Mechanical Layout



Dimension

Unit: mm

Unit: mm

