



INDUSTRIAL TOUCH SCREEN MONITOR

VIO-219-MX100H

19" 4:3 IP65 Industrial Touchscreen Monitor



Features

- 19" TFT 1280×1024 SXGA 4:3 LCD
- Resistive 5-wire or Projected Capacitive Touch
- 1x VGA, 1x DVI-D, 1x HDMI, 1x DisplayPort, 1x USB 2.0, 1x COM, 1x Audio
- 9 to 48 VDC wide range power input
- -10 °C to 50 °C extended operating temperature
- Aluminum die-casting front panel
- IP65 compliant front panel
- Two 10W internal speakers
- Multi-language OSD
- VESA mount option
- High Brightness Display and Optical Bonding (Optional)

Specifications

Display	
IP Rating	IP65
LCD Size	19" (4:3)
Max. Resolution	1280 x 1024 (SVGA)
Brightness (cd/m ²)	350 / 1000 (optional)
Contrast Ratio	1000:1
LCD Color	16.7M
Pixel Pitch (mm)	0.294(H) x 0.294(V)
Viewing Angle	170/160
Backlight MTBF	60000 hrs (LED Backlight)
Touch	
Touch Type	Resistive 5-Wire Projective Capacitive
I/O	
Audio	1x Audio Input
COM	1x COM (For Resistive Touch)
USB	1x USB 2.0 (For Resistive Touch or P-CAP Touch)
DP	1x DP
DVI	1x DVI-D
HDMI	1x HDMI
VGA	1x VGA
Optical Bonding	Optional, contact us for more information
OSD	LCD On/Off, Auto, Menu Up And Down Multi-Language
Speaker	AMP 10W + 10W
Power	
Power Adapter	Optional AC/DC 12V/5A, 60W
Power Management	Power Ignition Management
Power Mode	AT, ATX
Power Supply Voltage	9~48 VDC
Power Connector	3-Pin Terminal Blcok
Power Protection	OVP (Over Voltage Protection) OCP (Over Current Protection) Reverse Protection
Environment	
Operating Temperature	-10 °C ~ 60 °C (14 °F ~ 140 °F)
Storage Temperature	-20 °C to 70 °C (-4 °F to 158 °F)
Relative Humidity	10% ~ 80% (non-condensing)
IP Level	IP 65 Compliant Front Panel
Certification	UL 62368 Ed. 3, CE, FCC Class A
Physical	
Dimensions	450 x 375 x 71 mm (17.7" x 14.8" x 2.8")
Weights	VIO-219R-MX100: 7.51 kg (16.6 lb) VIO-219C-MX100: 7.38 kg (16.3 lb)

Mounting Options

VESA Mounting Holes 75 x 75mm, 100 x 100mm

Available Models

- VIO-219C-13
19" SXGA Capacitive Touch Thin Frame Display Module with 2x 10W Speaker
- VIO-219HC-13
VIO-219HC,19",SXGA,CAPACITIVE,HB,2X10W SPK,V13
- VIO-219HC-13-OB
VIO-219HC,19",SXGA,CAPACITIVE,HB,OB,2X10W SPK,V13
- VIO-219HR-13
VIO-219HR,19",SXGA,RESISTIVE,HB,2X10W SPK,V13
- VIO-219HR-13-OB
VIO-219HR,19",SXGA,RESISTIVE,HB,OB,2X10W SPK,V13
- VIO-219R-13
19" SXGA Resistive Touch Thin Frame Display Module with 2x 10W Speaker
- MX100H-P
Touch Screen Module ,1x HDMI,1x VGA,1x DP,1x USB2.0, 60W

Optional Accessories

- 1-E09A06008
Adapter AC/DC 12V 5A 60W with 3pin Terminal Block Plug 5.0mm Pitch
- 999930
Power Cord, 3-pin US Type, 180cm
- 1-TPCD00002
Power Cord, European Type, 180cm
- 1-TPCD00001
Power Cord, 3-pin UK Type, 180cm

Packing List

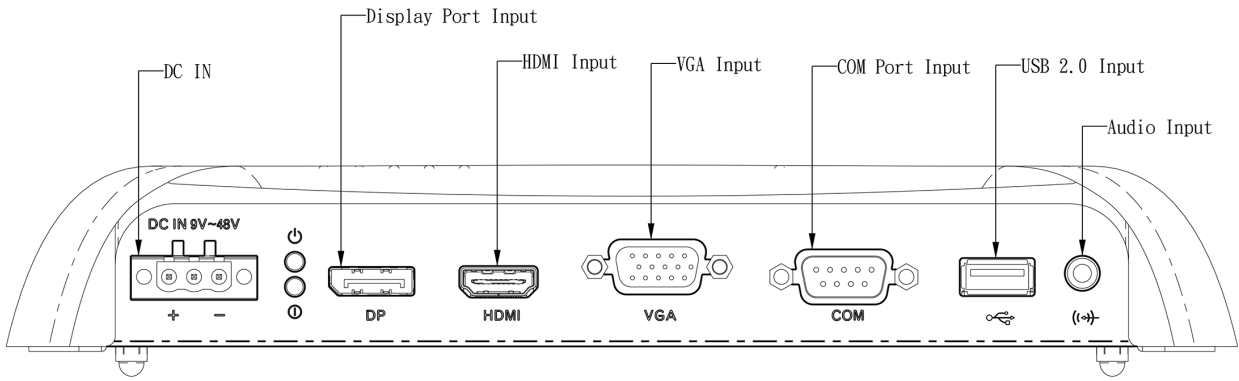
- 1x VIO-219-MX100H
- 1x Panel Mount Kit
- 1x USB Cable
- 1x VGA Cable
- 1x Screw Pack

Exports And Tariff Codes

ECCN	EAR99
HTS	8528.59.1500
ScheduleB	85.28

* All specifications and photos are subject to change without notice.

External I/O Mechanical Layout



Dimension

Unit: mm

