

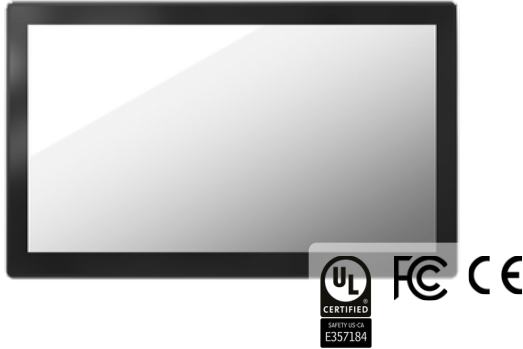


# VIO-W224-PC100-EHL

24" Full HD Resistive / Capacitive Touch Thin Frame Industrial Touchscreen Computer with Intel® Celeron® J6413

## Features

- 23.8" TFT Full HD 16:9 LCD with resistive 5-wire / projected capacitive touch
- Intel® Celeron® Processor J6413
- 1x 260-pin DDR4 SODIMM. max up to 32GB
- 1x 2.5" SATA HDD bay, 1x mSATA, 2x SIM socket
- 1x Full-size Mini PCIe (USB 2.0, SATA)
- 2x LAN, 1x DP, 1x HDMI
- 6x RS-232/422/485 (w/ 2x internal)
- 2x USB 3.2 Gen 2, 2x USB 2.0
- 8x DI + 8x DO with isolation
- 9 to 36VDC wide range power input
- 0°C to 50°C extended operating temperature
- Designed with aluminum die-casting front frame
- IP65 compliant front panel / Fanless Industrial Display Computer
- Two 10W internal speakers built-in
- Multi-language OSD built-in
- 1x Universal I/O Bracket for 2x COM Expansion (PC100-EHL-1E Model)
- Edge AI Ready with Hailo-8™ (26 TOPS / 2.5W)
- UL Listed



## Specifications

Display	
IP Rating	IP65
LCD Size	23.8" (16:9)
Max. Resolution	1920 x 1080 (Full HD)
Brightness (cd/m <sup>2</sup> )	450 / 1000 (Optional)
Contrast Ratio	1000:1
LCD Color	16.7M
Pixel Pitch (mm)	0.2745(H) x 0.2745(V)
Viewing Angle	178/178
Backlight MTBF	30000 hrs (LED Backlight)
Touch Type	Resistive 5-Wire Projective Capacitive
System	
Processor	Intel® Celeron® J6413 Processor Quad core (1.5M Cache, 1.8GHz up to 3.00 GHz) FC-BGA16F, Tray 10W
System Chipset	SoC Integrated
LAN Chipset	GbE1: Intel® I210 (Support Wake-on-LAN and PXE) 2.5 GbE2: Intel® I225 (Support Wake-on-LAN and PXE)
Audio Codec	Realtek ALC888S
System Memory	1x 260-Pin DDR4 2400/2667/3200MT/s SODIMM. Max. up to 32 GB
BIOS	AMI 128Mbit SPI BIOS
TPM	TPM 2.0
Watchdog	Software Programmable Supports 1~255 sec. System Reset
AI Accelerator	Supports 1x Hailo-8™ module
Storage	
M.2	1x M.2 (E Key, PCIe x1, USB 2.0, 2230) 1x M.2 (B Key, PCIe x2 + USB 3.2 Gen1, 2242/3042/3052)
mSATA	1x mSATA
SIM Socket	2x External SIM socket
SSD/HDD	1x Removable 2.5" SATA HDD Bay
Expansion	
Mini PCIe	1x Full-size Mini PCIe (USB 2.0, SATA)
PCIe	PC100-EHL-1E: 1x PCIe x4 (1-lane)
I/O	
Audio	1x Mic-in, 1x Line-out
CAN	2x CAN 2.0 A/B 2-pin Header (Internal)
COM	4x RS-232/422/485 2x RS-232/422/485 (internal)
DIO	8 in / 8 out (Isolated)
LAN	2x RJ45
Universal I/O Bracket	PC100-EHL-1E : 1x Universal I/O Bracket (By mini PCIe interface)
USB	2x USB 3.2 Gen 2 (10 Gbps) 2x USB 2.0
DP	1x DisplayPort 1.2 (4096 x 2160@60Hz)
HDMI	1x HDMI 2.0b (4096 x 2160@60Hz) (Optional)
Others	4x WiFi Antenna Holes 1x Power Switch, 1x AT/ATX Switch, 1x Remote Power On/Off 1x DB9 Cutting Hole
Optical Bonding	Optional, contact us for more information
Others Features	
Speaker	AMP 10W + 10W

OSD LCD On/Off, Auto, Menu, Up and Down Multi-language

## Operating System

Windows Windows 10, Windows 11  
Linux Linux kernel 5.X

## Power

Power Adapter Optional AC/DC 12V/5A, 60W  
Power Management Power Ignition Management (Optional Module)  
Power Mode AT, ATX  
Power Supply Voltage 9~36 VDC  
Power Connector 3-Pin Terminal Block  
Power Protection OVP (Over Voltage Protection)  
OCP (Over Current Protection)  
Reverse Protection

## Environment

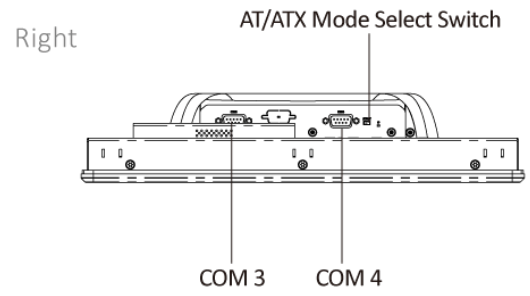
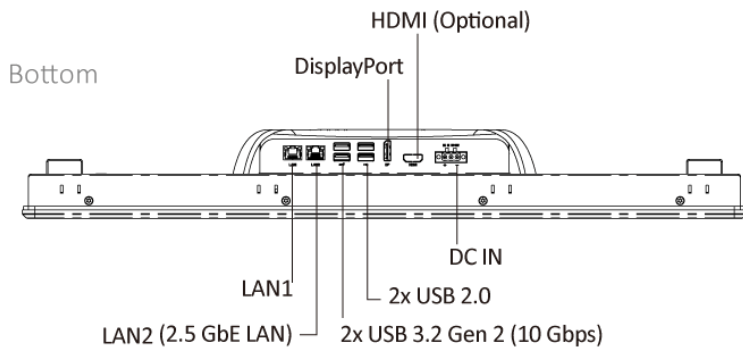
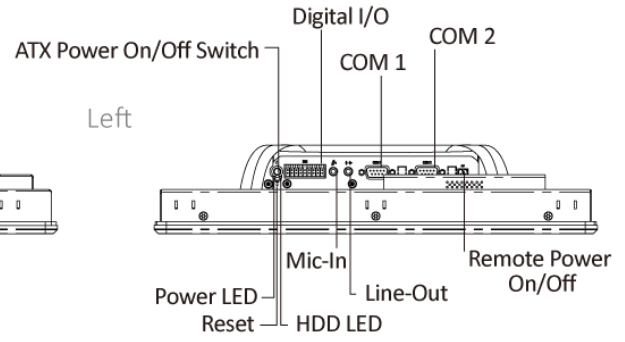
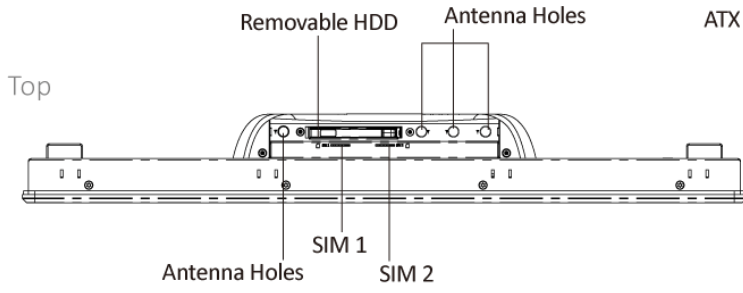
Operating Temperature 0°C to 50°C  
Storage Temperature -20°C to 60°C  
Relative Humidity 10%~80% (non-condensing)  
IP Level IP 65 Compliant Front Panel  
Certification UL 62368 Ed. 3, CE, FCC Class A  
Vibration With SSD: 1.5 Grms, 5 - 500 Hz, 0.5 hr/axis  
With HDD: 1 Grms, 5 - 500 Hz, 0.5 hr/axis

Shock With SSD: 20G, half sine, 11ms

## Physical

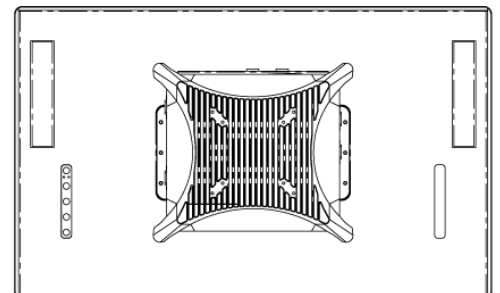
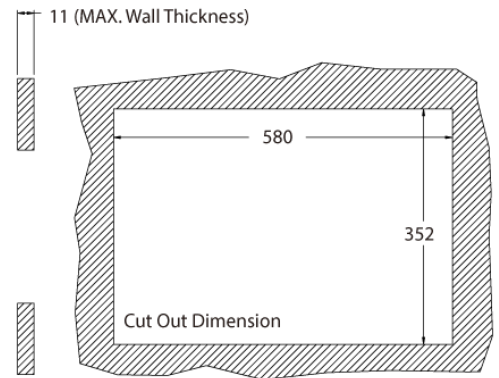
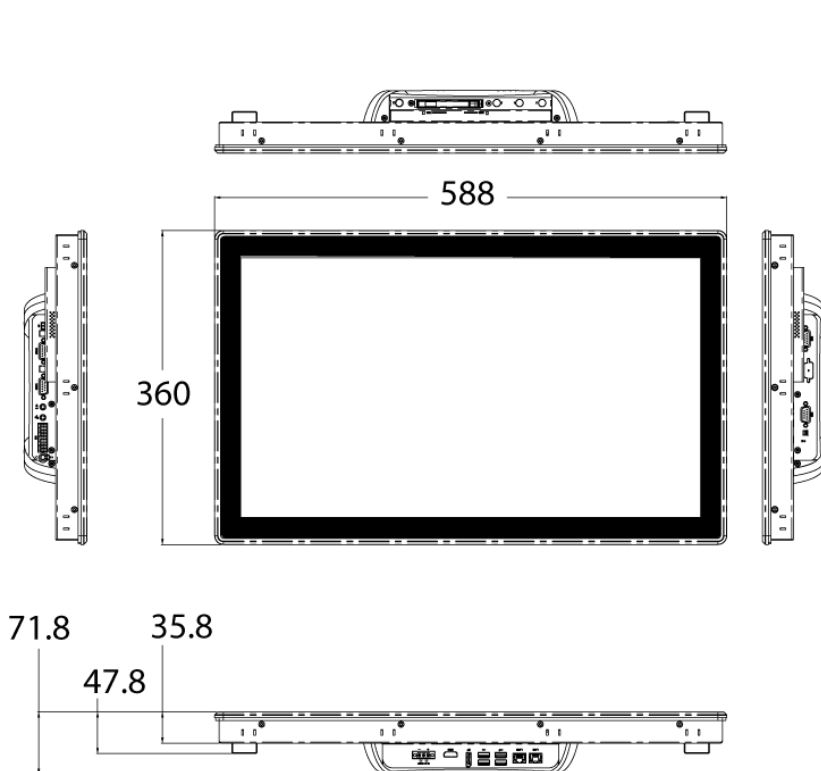
Dimensions VIO-W224-PC100-EHL: 588 (W) x 360 (D) x 71.8 (H) mm  
VIO-W224-PC100-EHL-1E: 588 (W) x 360 (D) x 93.8 (H) mm  
Weights VIO-W224-PC100-EHL, Resistive Touch: 9.57 kg  
VIO-W224-PC100-EHL, Capacitive Touch: 9.82 kg  
VIO-W224-PC100-EHL-1E, Resistive Touch: 9.86 kg  
VIO-W224-PC100-EHL-1E, Capacitive Touch: 10.11 kg  
Mounting Options VESA Mounting Holes 75 x 75mm, 100 x 100mm

External I/O Mechanical Layout

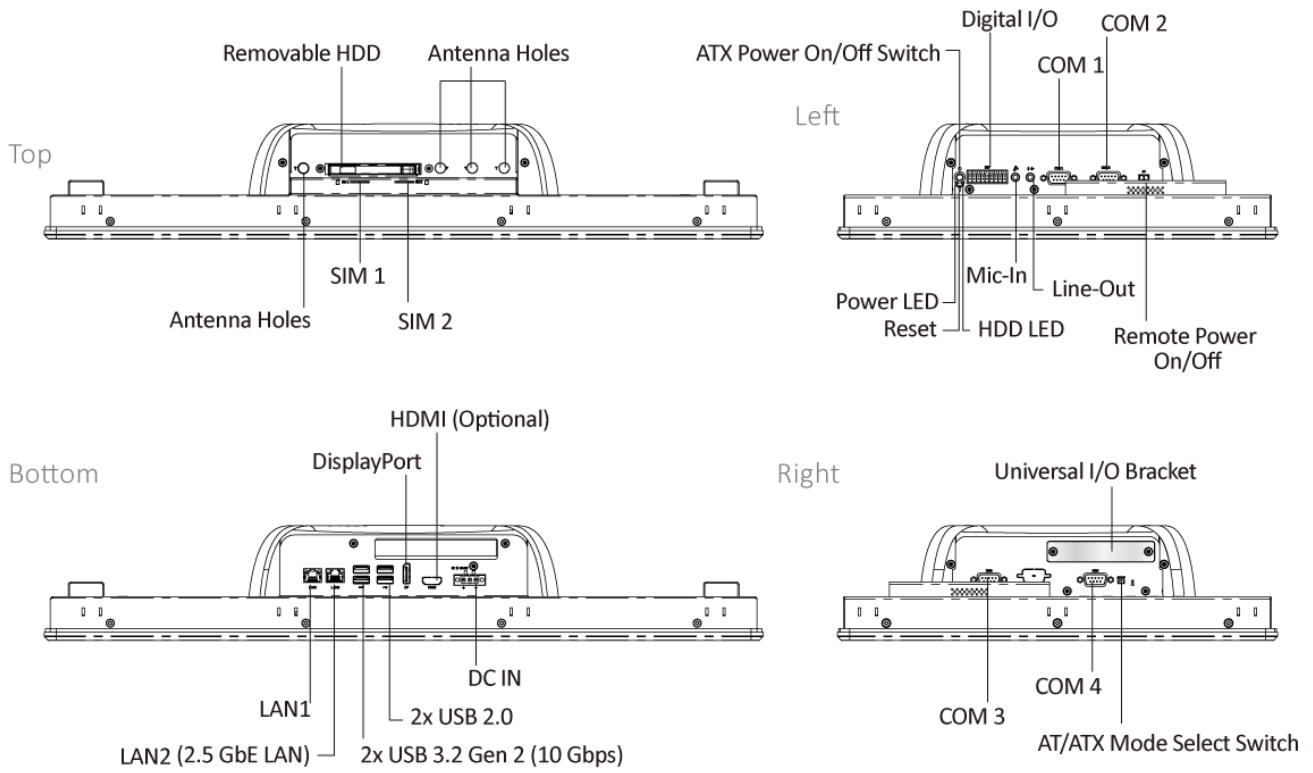


Dimension

Unit: mm

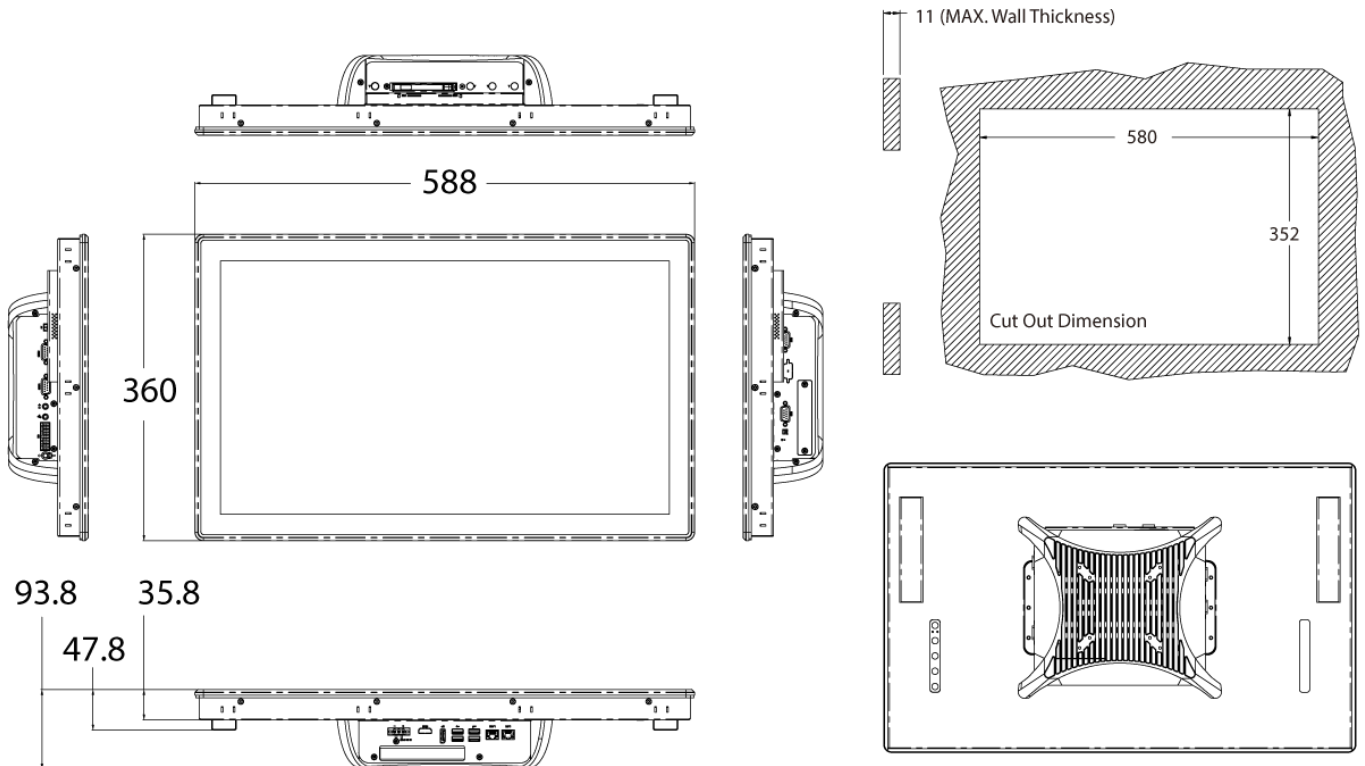


External I/O Mechanical Layout



Dimension

Unit: mm



## Available Models

Model No.	Description
VIO-W224C-10	23.8" 16:9 FHD Capacitive Touch Thin Frame Display Module with 2x 10W Speaker
VIO-W224HC-10	VIO-W224HC,23.8",16:9,FHD,CAPACITIVE,HB,2X10W SPK,V10
VIO-W224HC-10-OB	VIO-W224HC,23.8",16:9,FHD,CAPACITIVE,HB,OB,2X10W SPK,V10
VIO-W224HR-10	VIO-W224HR,23.8",16:9,FHD,RESISTIVE,HB,2X10W SPK,V10
VIO-W224HR-10-OB	VIO-W224HR,23.8",16:9,FHD,RESISTIVE,HB,OB,2X10W SPK,V10
VIO-W224R-10	23.8" 16:9 FHD Resistive Touch Window Thin Frame Display Module with 2x 10W Speaker
PC100-EHL-J6413-P	PC100-EHL-J6413,60W,POWER CORD
PC100-EHL-J6413-10-P	PC100-EHL-J6413,PCIEX4(X1),60W,POWER CORD

## Optional Accessories

Model No.	Description
1-E09A06008	Adapter AC/DC 12V 5A 60W with 3pin Terminal Block Plug 5.0mm Pitch
999930	Power Cord, 3-pin US Type, 180cm
1-TPCD00002	Power Cord, European Type, 180cm
1-TPCD00001	Power Cord, 3-pin UK Type, 180cm
PC100-2COM-KIT	MOD,2XDB9(COM 5,6) KIT,PC100-EHL
PC100-EHL-5G-KIT	MOD,PC100-EHL,5G,THALES,KIT
PC100-EHL-10-5G-KIT	MOD,PC100-EHL-10,5G,THALES,KIT
PC100-EHL-TPU-KIT	MOD,PC100-EHL,TPU,HAILO-8,KIT
PC100-EHL-10-TPU-KIT	MOD,PC100-EHL-10,TPU,HAILO-8,KIT
3-PC1200AIKIT-S0	MOD,HAILO/NVME THERMAL KIT,PC100-EHL
3-PC1210AIKIT-S0	MOD,HAILO/NVME THERMAL KIT,PC100-EHL-10
1-TCAN00001	CBL,CANBUS,DB9,DUAL CHANNEL

## Packing List

- 1x VIO-200-PC100-EHL Series
- 10x Panel Mount Kit
- 1x Screw Pack

## Exports And Tariff Codes

ECCN	5A992.c
HTS	8471.50.0150
ScheduleB	84.71