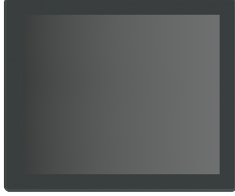




VIO-219-PC100-J1900

19" 4:3 IP65 Industrial Touchscreen Computer with Intel® Celeron® J1900



Specifications

Display	
IP Rating	IP65
LCD Size	19" (4:3)
Max. Resolution	1280 x 1024 (SVGA)
Brightness (cd/m ²)	350 / 1000 (optional)
Contrast Ratio	1000:1
LCD Color	16.7M
Pixel Pitch (mm)	0.294(H) x 0.294(V)
Viewing Angle	170/160
Backlight MTBF	50000 hrs (LED Backlight)
Touch	
Touch Type	VIO-219R-13, VIO-219HR-13, VIO-219HR-13-OB, VIO-219C-13, VIO-219HC-13, VIO-219HC-13-OB
System	
Processor	Intel® Celeron® Processor J1900, Quad Core, 2MB Cache, 2.0 GHz
System Chipset	SoC Integrated
LAN Chipset	GbE1 & GbE2: Intel® I210-AT (Support Wake-on-LAN and PXE)
System Memory	1x 204-Pin DDR3L 1333/1600MHz SODIMM up to 8GB
BIOS	AMI 64Mbit SPI BIOS
Watchdog	Software Programmable 1~255 sec. System Reset
Storage	
CFast	1x CFast
mSATA	1x mSATA
SIM Socket	2x External SIM socket
SSD/HDD	1 x Hotswap 2.5" SATA HDD Bay
Expansion	
Mini PCIe	1x Full-size Mini PCIe Socket with USIM Socket (PCIe + USB + SATA) 1x Full-size Mini PCIe Socket with USIM Socket (PCIe + USB)
I/O	
Audio	1x Mic-In, 1x line-out
COM	4x RS-232/422/485 2x RS-232/422/485 (internal)
DIO	8 in / 8 out (Isolated)
LAN	2x RJ45
Universal I/O Bracket	2x Universal I/O Bracket
USB	1x USB 3.0 3x USB 2.0
DP	1x DP
Others	3x Antenna 1x Power Switch 1x AT/ATX Switch 1x Remote Power On/Off
VGA	1x VGA
Optical Bonding	Optional, contact us for more information
OSD	LCD On/Off, Auto, Menu, Up and Down Multi-language
Speaker	AMP 10W + 10W
Power	
Power Adapter	Optional AC/DC 12V/5A, 60W
Power Management	Power Ignition Management

Features

- 19" TFT SXGA 4:3 LCD with resistive 5-wire / projected capacitive touch
- Intel® Celeron® processor J1900, 2.0 GHz
- 1x 204-pin DDR3L SODIMM. max up to 8GB
- 1x 2.5" SATA HDD bay, 1x mSATA, 1x CFast, 2x SIM socket
- 2x full-size mini PCIe for communication or expansion modules
- 2x LAN, 1x VGA, 1x DisplayPort
- 6x RS-232/422/485 (w/ 2x internal), 1x USB 3.0, 3x USB 2.0, Audio
- 8x DI + 8x DO with isolation
- 2x universal I/O bracket (by mini PCIe interface)
- 9 to 50VDC wide range power input
- -10°C to 50°C extended operating temperature
- Designed with aluminum die-casting front frame
- IP65 compliant front panel
- Two 10W internal speakers built-in
- Multi-language OSD built-in
- High Brightness Display and Optical Bonding (Optional)

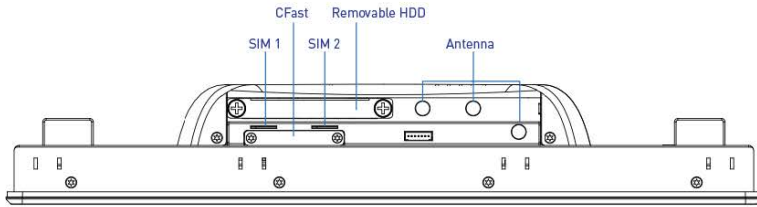
Power Mode	AT, ATX
Power Supply Voltage	9~50 VDC
Power Connector	3-Pin Terminal Blcok
Power Protection	OVP (Over Voltage Protection) OCP (Over Current Protection) Reverse Protection

Environment	
Operating Temperature	-10 °C ~ 60 °C (14 °F ~ 140 °F)
Storage Temperature	-20 °C to 70 °C (-4 °F to 158 °F)
Relative Humidity	10% ~ 80% (non-condensing)
IP Level	IP 65 Compliant Front Panel
Certification	CE, FCC Class A

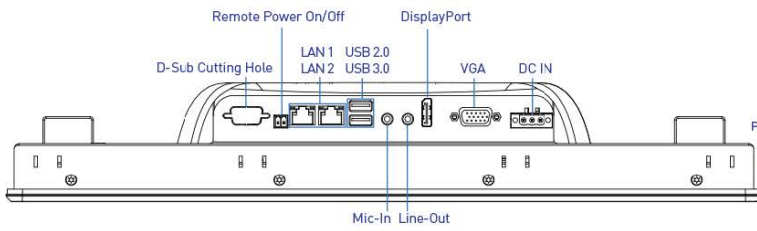
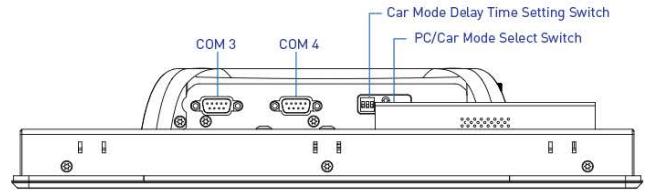
Physical	
Dimensions	VIO-219-PC100-J1900: 450 (W) x 375 (D) x 71 (H) mm VIO-219-PC110-J1900-1: 450 (W) x 375 (D) x 93 (H) mm
Mounting Options	VESA Mounting Holes 75 x 75mm, 100 x 100mm

External I/O Mechanical Layout

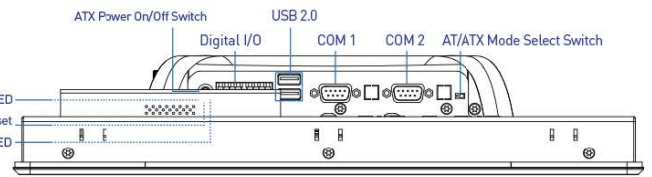
Front I/O



Left I/O



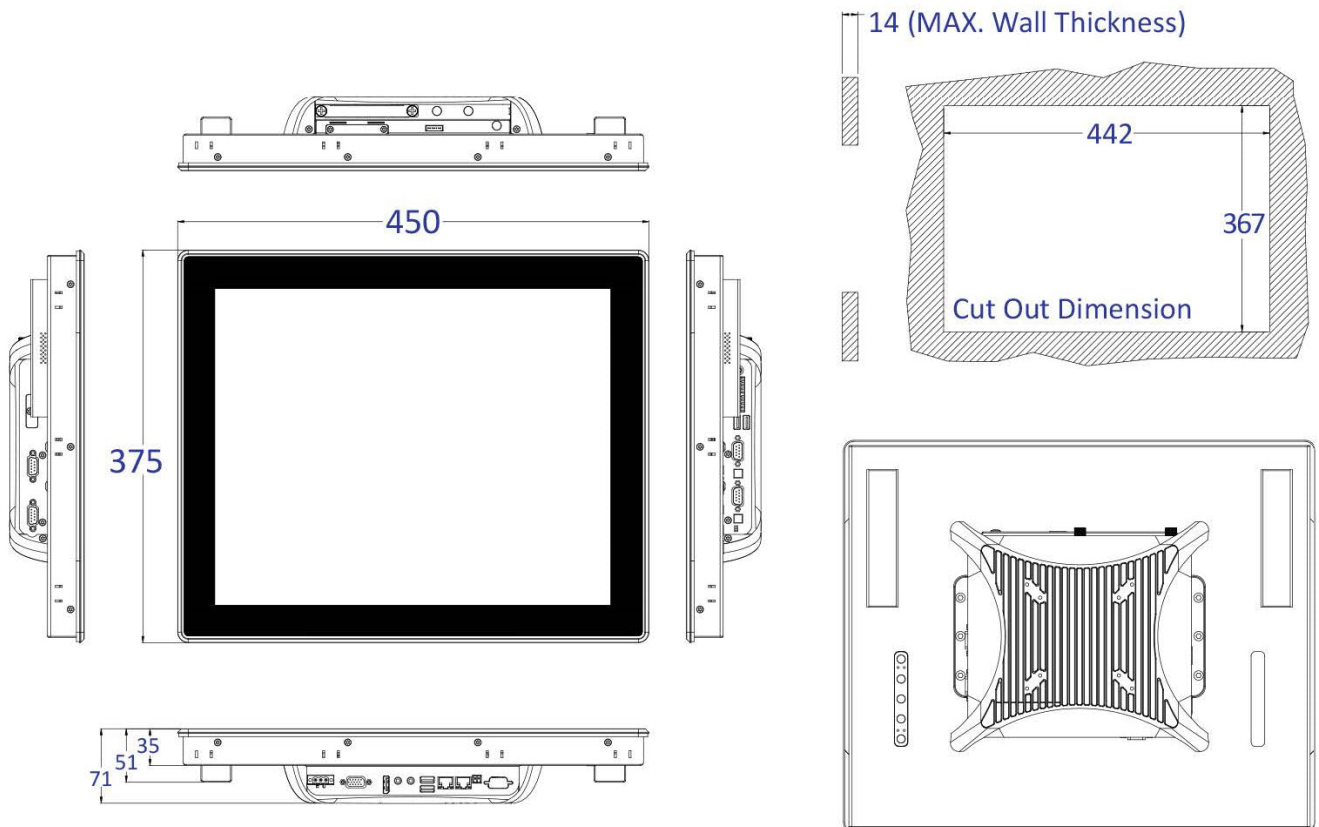
Rear I/O



Right I/O

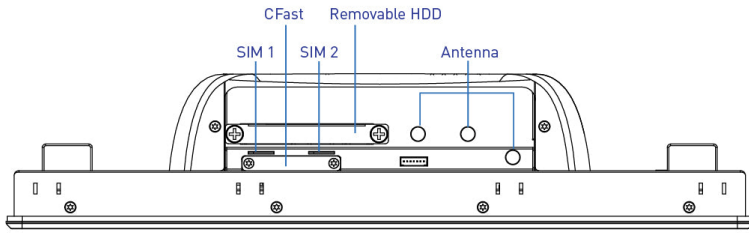
Dimension

Unit: mm

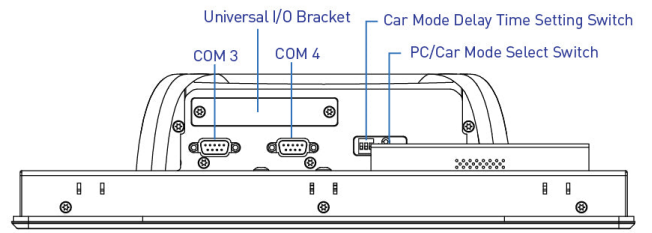


External I/O Mechanical Layout

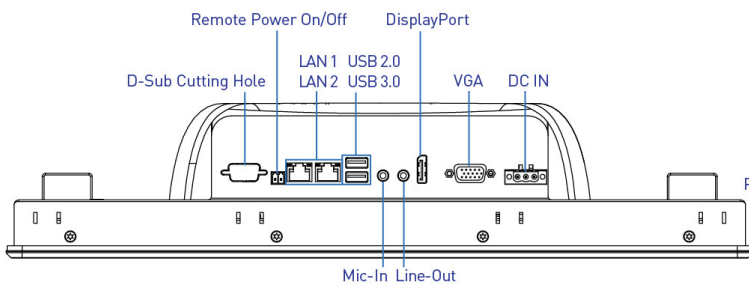
Front I/O



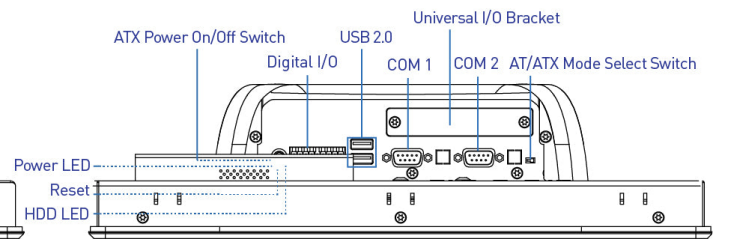
Left I/O



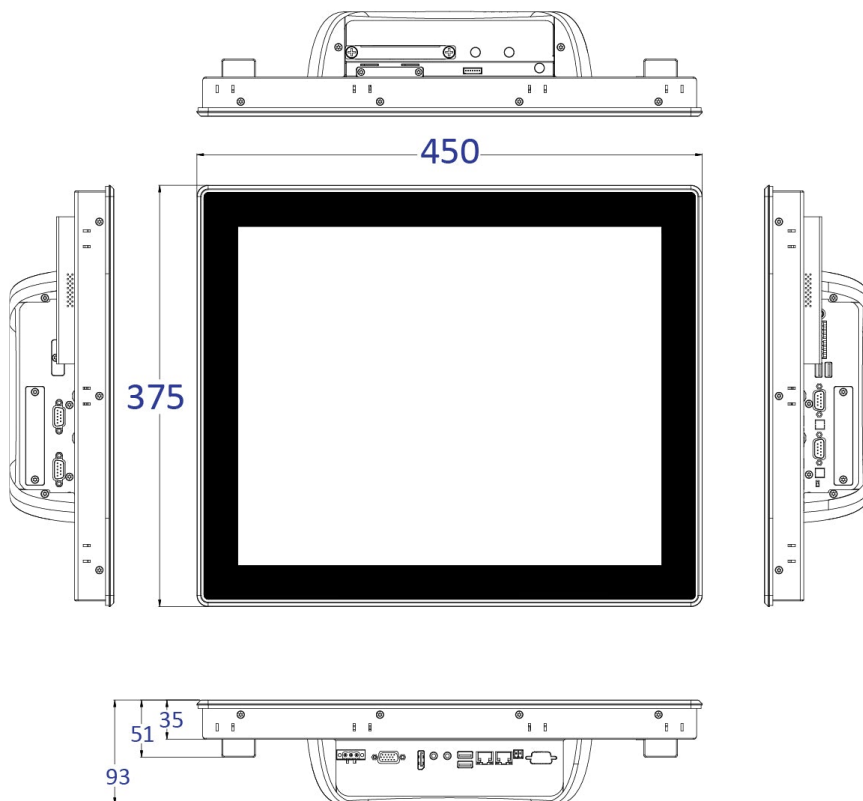
Rear I/O



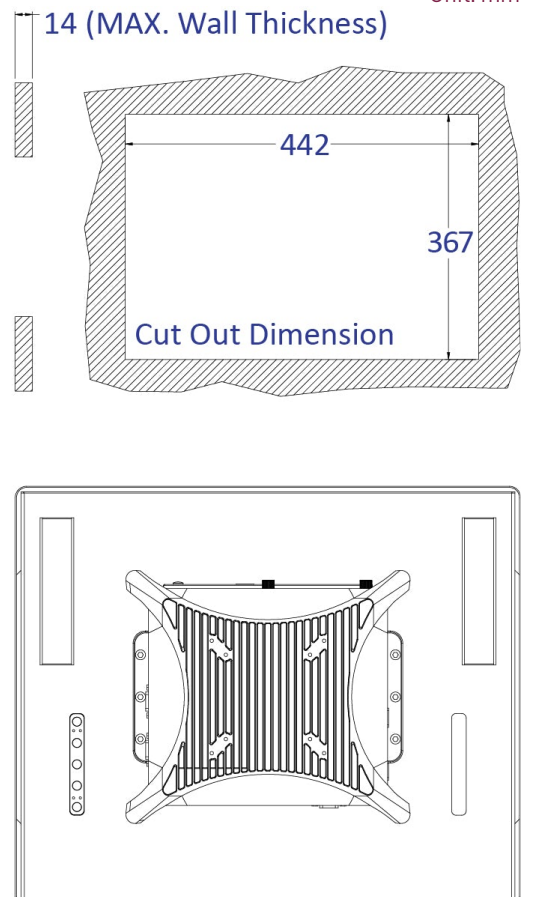
Right I/O



Dimension



Unit: mm



Available Models

Model No.	Description
VIO-219C-13	19" Thin Frame Display Module, SXGA, Capacitive, 2x 10W Speaker
VIO-219HC-13	19" Thin Frame Display Module, SXGA, Capacitive, High Brightness, 2x 10w Speaker, V13
VIO-219HC-13-OB	19" Thin Frame Display Module, SXGA, Capacitive, High Brightness, Optical Bonding, 2x 10w Speaker, V13
VIO-219HR-13	19" Thin Frame Display Module, SXGA, Resistive, High Brightness, 2x 10w Speaker, V13
VIO-219HR-13-OB	19" Thin Frame Display Module, SXGA, Resistive, High Brightness, Optical Bonding, 2x 10w Speaker, V13
VIO-219R-13	19" Thin Frame Display Module, SXGA, Resistive, 2x 10W Speaker
PC100-J1900-1-P	PC Module for Industrial Display System with Intel Celeron Processor J1900, 4x COM, 2x Universal I/O Bracket
PC100-J1900-P	PC Module for Industrial Display System with Intel Celeron Processor J1900, 4x COM

Optional Accessories

Model No.	Description
1-E09A06008	Adapter AC/DC 12V 5A 60W with 3pin Terminal Block Plug 5.0mm Pitch
999930	Power Cord, 3-pin US Type, 180cm
1-TPCD00002	Power Cord, European Type, 180cm
1-TPCD00001	Power Cord, 3-pin UK Type, 180cm

Packing List

- 1x VIO-219-PC100-J1900
- 1x Utility DVD Driver
- 10x Panel Mount Kit
- 1x Screw Pack

Exports And Tariff Codes

ECCN	5A992.c
HTS	8471.50.0150
Schedule B	84.71