



# VIO-W224-PC100-KBL-U

24" 16:9 IP65 Industrial Touchscreen Computer with 7th Gen Intel® Core™



## Features

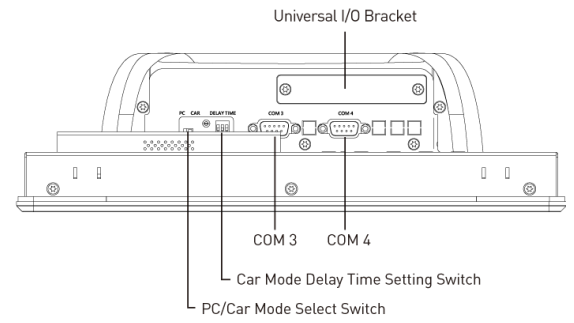
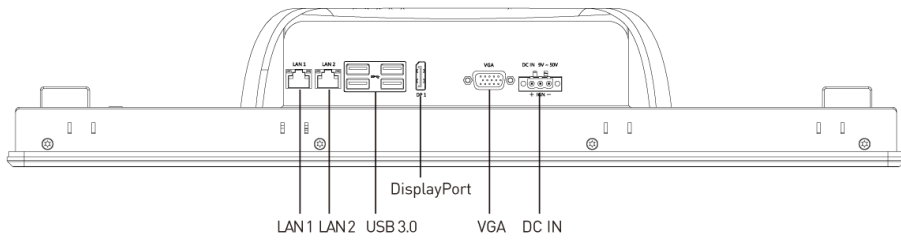
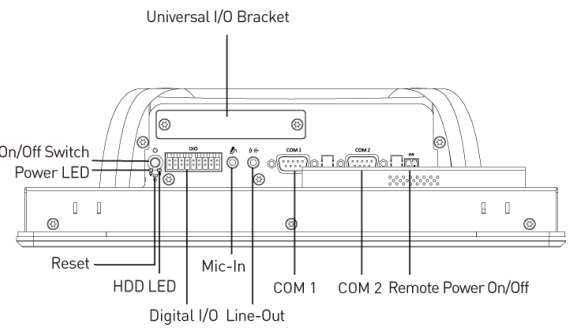
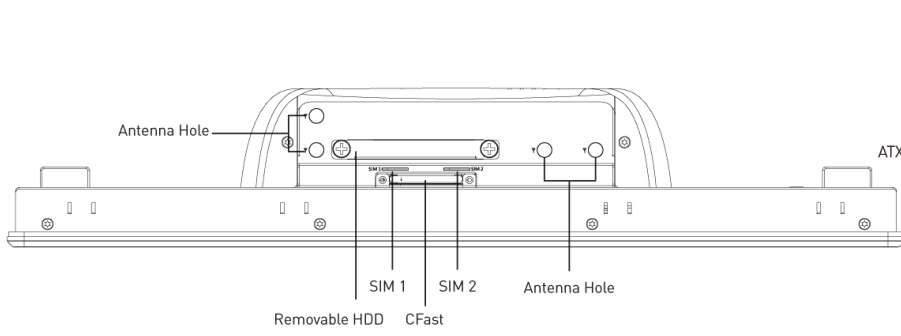
- 23.8" TFT FHD 16:9 LCD with resistive 5-wire / projected capacitive touch
- Intel® 7th Gen (Kaby Lake-U) Processor Core™ i5-7300U, Core™ i3-7100U
- 1x 260-pin DDR4 SODIMM. max up to 16GB
- 1x 2.5" SATA HDD bay support RAID 0, 1
- 1x mSATA (shared by 1x Mini PCIe), 1x CFast (shared by 1x mSATA), 2x SIM socket
- 2x full-size mini PCIe for communication or expansion modules
- 2x LAN, 1x VGA, 1x DisplayPort, 1x Dual Channel 24 bit LVDS
- 4x RS-232/422/485, 4x USB 3.0, Audio
- 8x DI + 8x DO with isolation
- 2x Universal I/O Bracket for Expansion (VIO-112-PC410 Only)
- 9 to 50VDC wide range power input
- -10°C to 50°C extended operating temperature
- Designed with aluminum die-casting front frame
- IP65 compliant front panel
- Two 10W internal speakers built-in
- Multi-language OSD built-in
- High Brightness Display and Optical Bonding (Optional)

## Specifications

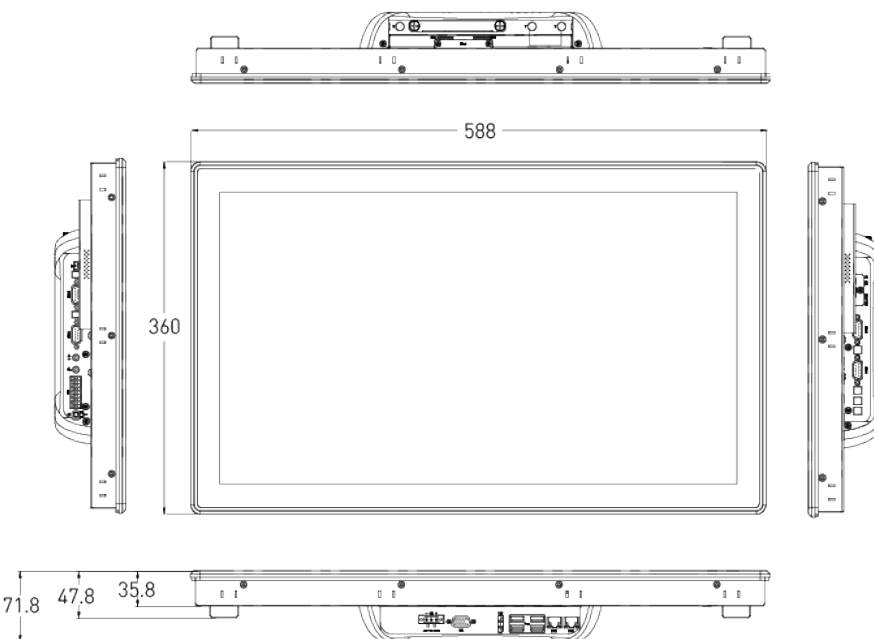
Display	
IP Rating	IP65
LCD Size	23.8" (16:9)
Max. Resolution	1920 x 1080 (FHD)
Brightness (cd/m <sup>2</sup> )	450
Contrast Ratio	1000:1
LCD Color	16.7M
Pixel Pitch (mm)	0.2745(H) x 0.2725(V)
Viewing Angle	178/178
Backlight MTBF	30000 hrs (LED Backlight)
Touch Type	Resistive 5-Wire Projective Capacitive
System	
Processor	Intel® 7th Gen (Kaby Lake-U) Processor Core™ i5-7300U, Core™ i3-7100U
System Chipset	SoC Integrated
LAN Chipset	GbE1 & GbE2: Intel® I210-AT (Support Wake-on-LAN and PXE)
System Memory	1x 260-Pin DDR4 1866/2133MHz SODIMM. Max. up to 16GB
BIOS	AMI 64Mbit SPI BIOS
Watchdog	Software Programmable 1~255 sec. System Reset
Storage	
CFast	1x CFast
mSATA	1x mSATA
SIM Socket	2x External SIM socket
SSD/HDD	1 x Hotswap 2.5" SATA HDD Bay
Expansion	
Mini PCIe	2x Full-size Mini PCIe
I/O	
Audio	1x Mic-In, 1x line-out
COM	4x RS-232/422/485 2x RS-232/422/485 (internal)
DIO	8 in / 8 out (Isolated)
LAN	2x RJ45
Universal I/O Bracket	2x Universal I/O Bracket
USB	4x USB 3.0
DP	1x DP
Others	3x Antenna 1x Power Switch 1x AT/ATX Switch 1x Remote Power On/Off
VGA	1x VGA
Optical Bonding	Optional, contact us for more information
OSD	LCD On/Off, Auto, Menu, Up and Down Multi-language
Speaker	AMP 10W + 10W

Power	
Power Adapter	Optional AC/DC 12V/5A, 60W
Power Management	Power Ignition Management
Power Mode	AT, ATX
Power Supply Voltage	9~50 VDC
Power Connector	3-Pin Terminal Blcok
Power Protection	OVP (Over Voltage Protection) OCP (Over Current Protection) Reverse Protection
Environment	
Operating Temperature	-10 °C ~ 50 °C (14 °F ~ 140 °F)
Storage Temperature	-20 °C to 60 °C (-4 °F to 158 °F)
Relative Humidity	10% ~ 80% (non-condensing)
IP Level	IP 65 Compliant Front Panel
Certification	CE, FCC Class A
Vibration	With SSD: 1.5 Grms, 5 - 500 Hz, 0.5 hr/axis With HDD: 1 Grms, 5 - 500 Hz, 0.5 hr/axis
Shock	20G, half sine, 11ms
Physical	
Dimensions	VIO-W224-PC100-KBL-U: 588 (W) x 360 (D) x 71.8 (H)mm VIO-W224-PC100-KBL-U-1: 588 (W) x 360 (D) x 93.8 (H)mm
Weights	VIO-W224-PC100-KBL-U: 9.57 kg ~ 9.82 kg VIO-W224-PC100-KBL-U-1: 9.86 kg ~ 10.11 kg
Mounting	VESA Mounting Holes 75 x 75mm, 100 x 100mm

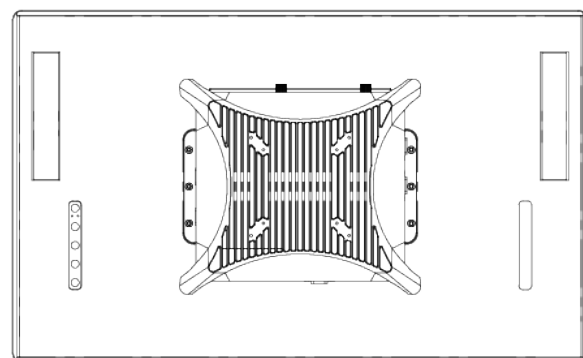
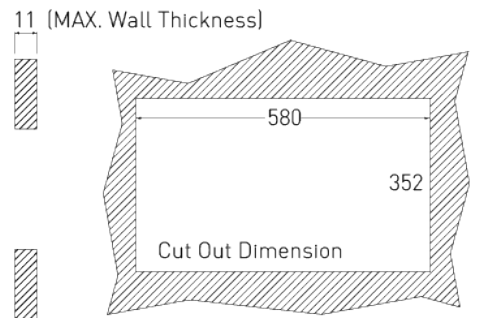
External I/O Mechanical Layout



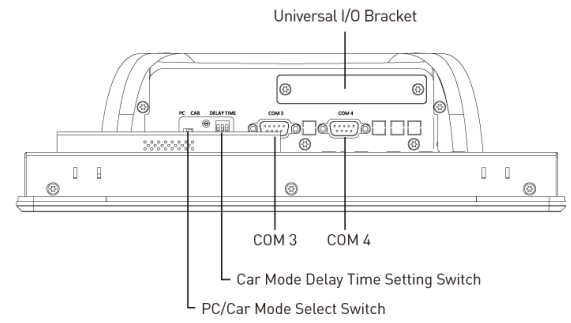
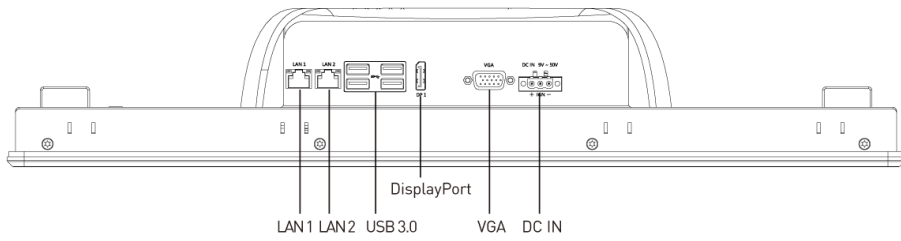
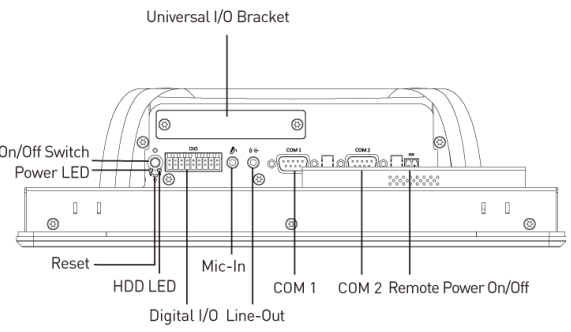
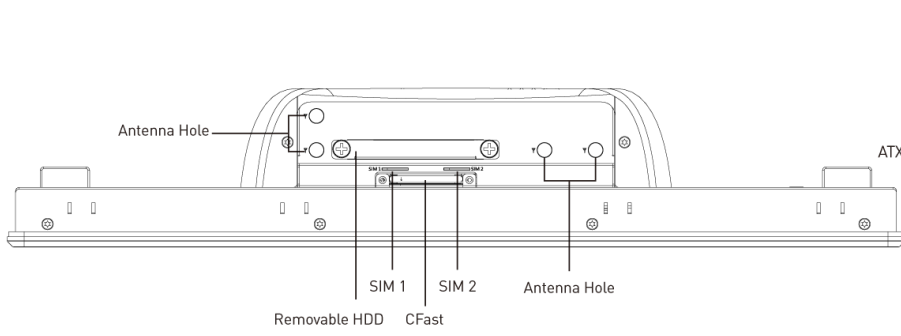
Dimension



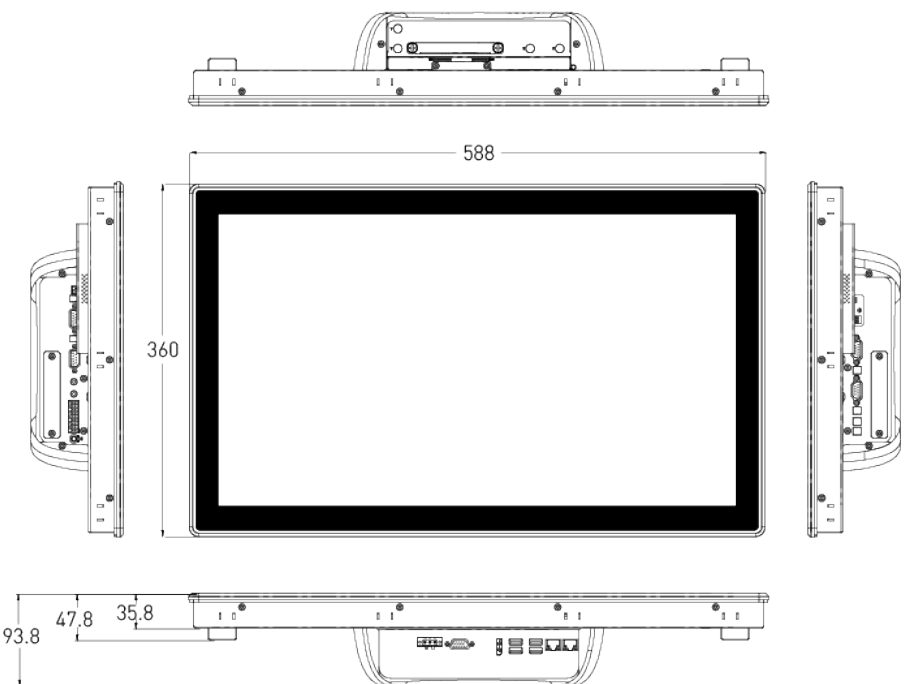
Unit: mm



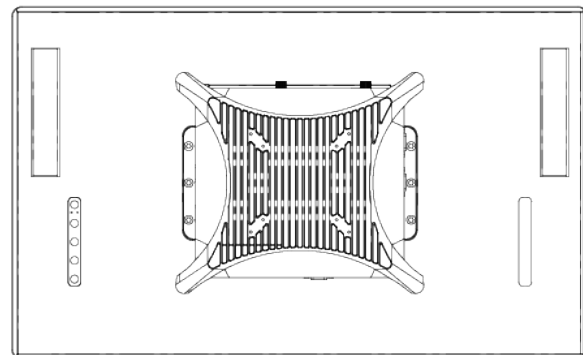
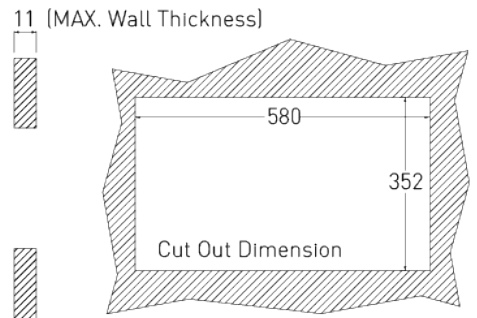
External I/O Mechanical Layout



Dimension



Unit: mm



## Available Models

Model No.	Description
VIO-W224C-10	24" Thin Frame Display Module, 16:9, FHD, Capacitive, 2x 10W Speaker
VIO-W224HC-10	24" Thin Frame Display Module, 16:9, FHD, Capacitive, High Brightness, 2x 10w Speaker, V13
VIO-W224HC-10-OB	24" Thin Frame Display Module, 16:9, FHD, Capacitive, High Brightness, Optical Bonding, 2x 10w Speaker, V13
VIO-W224HR-10	24" Thin Frame Display Module, 16:9, FHD, Resistive, High Brightness, 2x 10w Speaker, V13
VIO-W224HR-10-OB	24" Thin Frame Display Module, 16:9, FHD, Resistive, High Brightness, Optical Bonding, 2x 10w Speaker, V13
VIO-W224R-10	24" Thin Frame Display Module, 16:9, FHD, Resistive, 2x 10W Speaker
PC100-KBL-7100U-1-P	PC Module for Industrial Display System with Intel i3-7100U Processor, 1x Universal Bracket
PC100-KBL-7100U-P	PC Module for Industrial Display System with Intel i3-7100U Processor
PC100-KBL-7300U-1-P	PC Module for Industrial Display System with Intel i5-7300U Processor, 1x Universal Bracket
PC100-KBL-7300U-P	PC Module for Industrial Display System with Intel i5-7300U Processor

## Optional Accessories

Model No.	Description
1-E09A22801	Adapter AC/DC 24V/11.67A 280W with 3pin Terminal Block Plug 5.0mm Pitch
1-E09A22102	Adapter AC/DC 24V 9.2A 220W with 3pin Terminal Block Plug 5.0mm Pitch
999930	Power Cord, 3-pin US Type, 180cm
1-TPCD00002	Power Cord, European Type
1-TPCD00001	Power Cord, 3-pin UK Type, 180cm

## Packing List

- 1x VIO-W224-PC100-KBL-U
- 1x Utility DVD Driver
- 10x Panel Mount Kit
- 1x Screw Pack

## Exports And Tariff Codes

ECCN	5A992.c
HTS	8471.50.0150
ScheduleB	84.71