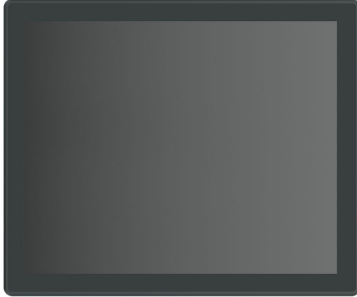




VIO-217-PC100-KBL-U

17" 4:3 IP65 Industrial Touchscreen Computer with 7th Gen Intel® Core™



VIO-217-PC400/410

Features

- 17" TFT SXGA 4:3 LCD with resistive 5-wire / projected capacitive touch
- Intel® 7th Gen (Kaby Lake-U) Processor Core™ i5-7300U, Core™ i3-7100U
- 1x 260-pin DDR4 SODIMM. max up to 16GB
- 1x 2.5" SATA HDD bay support RAID 0, 1
- 1x mSATA (shared by 1x Mini PCIe), 1x CFast (shared by 1x mSATA), 2x SIM socket
- 2x full-size mini PCIe for communication or expansion modules
- 2x LAN, 1x DisplayPort, 1x Dual Channel 24 bit LVDS
- 4x RS-232/422/485, 4x USB 3.0, Audio
- 8x DI + 8x DO with isolation
- 2x Universal I/O Bracket for Expansion (VIO-112-PC410 Only)
- 9 to 50VDC wide range power input
- -10°C to 60°C extended operating temperature
- Designed with aluminum die-casting front frame
- IP65 compliant front panel
- Two 10W internal speakers built-in
- Multi-language OSD built-in
- High Brightness Display and Optical Bonding (Optional)

Others	3x Antenna 1x Power Switch 1x AT/ATX Switch 1x Remote Power On/Off
Optical Bonding	Optional, contact us for more information
OSD	LCD On/Off, Auto, Menu, Up and Down Multi-language
Speaker	AMP 10W + 10W

Power	
Power Adapter	Optional AC/DC 12V/5A, 60W
Power Management	Power Ignition Management
Power Mode	AT, ATX
Power Supply Voltage	9~50 VDC
Power Connector	3-Pin Terminal Blcok
Power Protection	OVP (Over Voltage Protection) OCP (Over Current Protection) Reverse Protection

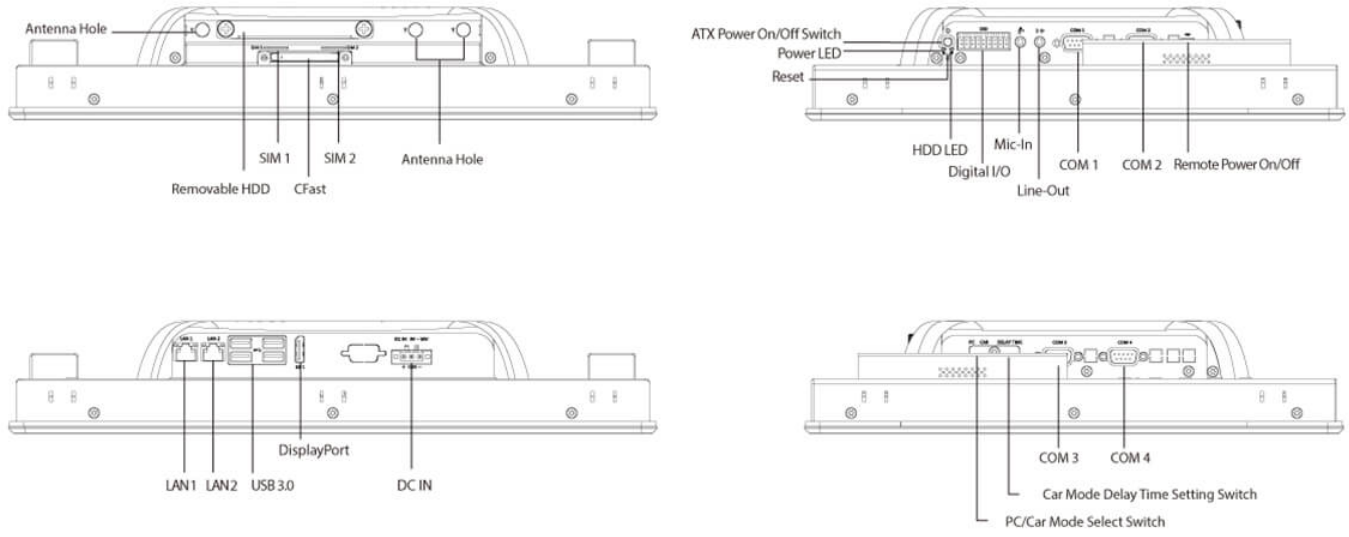
Environment	
Operating Temperature	-10 °C ~ 60 °C (14 °F ~ 140 °F)
Storage Temperature	-20 °C to 70 °C (-4 °F to 158 °F)
Relative Humidity	10% ~ 80% (non-condensing)
IP Level	IP 65 Compliant Front Panel
Certification	CE, FCC Class A

Physical	
Dimensions	VIO-217-PC100-KBL-U: 407.5 (W) x 339 (D) x 70.5 (H) mm VIO-217-PC100-KBL-U-1: 407.5 (W) x 339 (D) x 92.5 (H) mm
Mounting Options	VESA Mounting Holes 75 x 75mm, 100 x 100mm

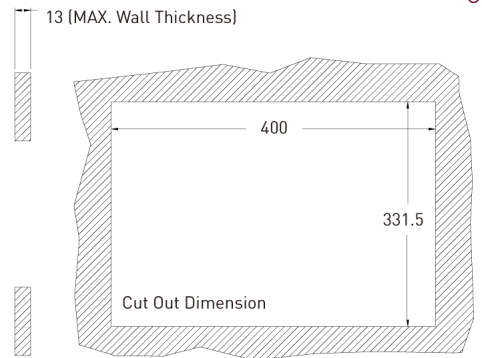
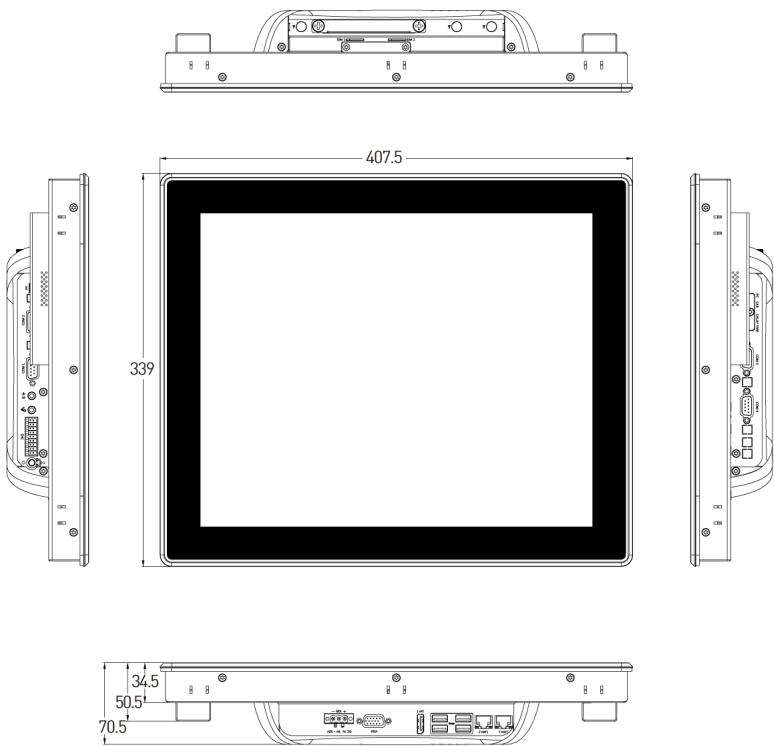
Specifications

Display Panel	
IP Rating	IP65
LCD Size	17" (4:3)
Max. Resolution	1280 x 1024 (SVGA)
Brightness (cd/m ²)	350 / 1000 (optional)
Contrast Ratio	800:1
LCD Color	16.7M
Pixel Pitch (mm)	0.264(H) x 0.264(V)
Viewing Angle	170/160
Backlight MTBF	50000 hrs (LED Backlight)
Touch	
Touch Type	VIO-217R-13, VIO-217HR-13, VIO-217HR-13-OB, VIO-217C-13, VIO-217HC-13, VIO-217HC-13-OB
System	
Processor	Intel® 7th Gen (Kaby Lake-U) Processor Core™ i5-7300U, Core™ i3-7100U
System Chipset	SoC Integrated
LAN Chipset	GbE1 & GbE2: Intel® I210-AT (Support Wake-on-LAN and PXE)
System Memory	1x 260-Pin DDR4 1866/2133MHz SODIMM. Max. up to 16GB
BIOS	AMI 64Mbit SPI BIOS
Watchdog	Software Programmable 1~255 sec. System Reset
Storage	
CFast	1x CFast
mSATA	1x mSATA
SIM Socket	2x External SIM socket
SSD/HDD	1 x Hotswap 2.5" SATA HDD Bay
Expansion	
Mini PCIe	2x Full-size Mini PCIe
I/O	
Audio	1x Mic-In, 1x line-out
COM	4x RS-232/422/485 2x RS-232/422/485 (internal)
DIO	8 in / 8 out (Isolated)
LAN	2x RJ45
Universal I/O Bracket	2x Universal I/O Bracket
USB	4x USB 3.0
DP	1x DP

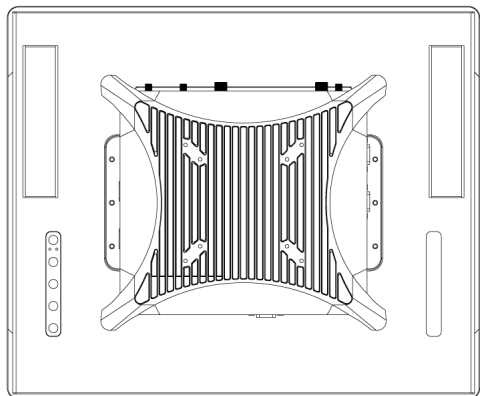
External I/O Mechanical Layout



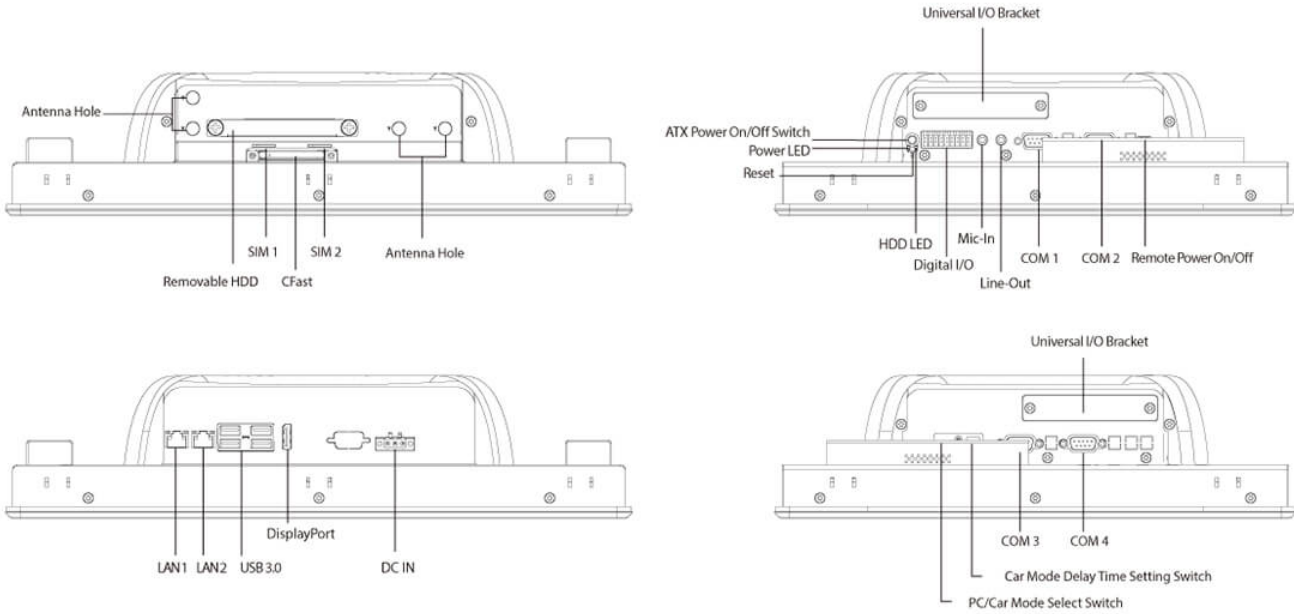
Dimension



Unit: mm

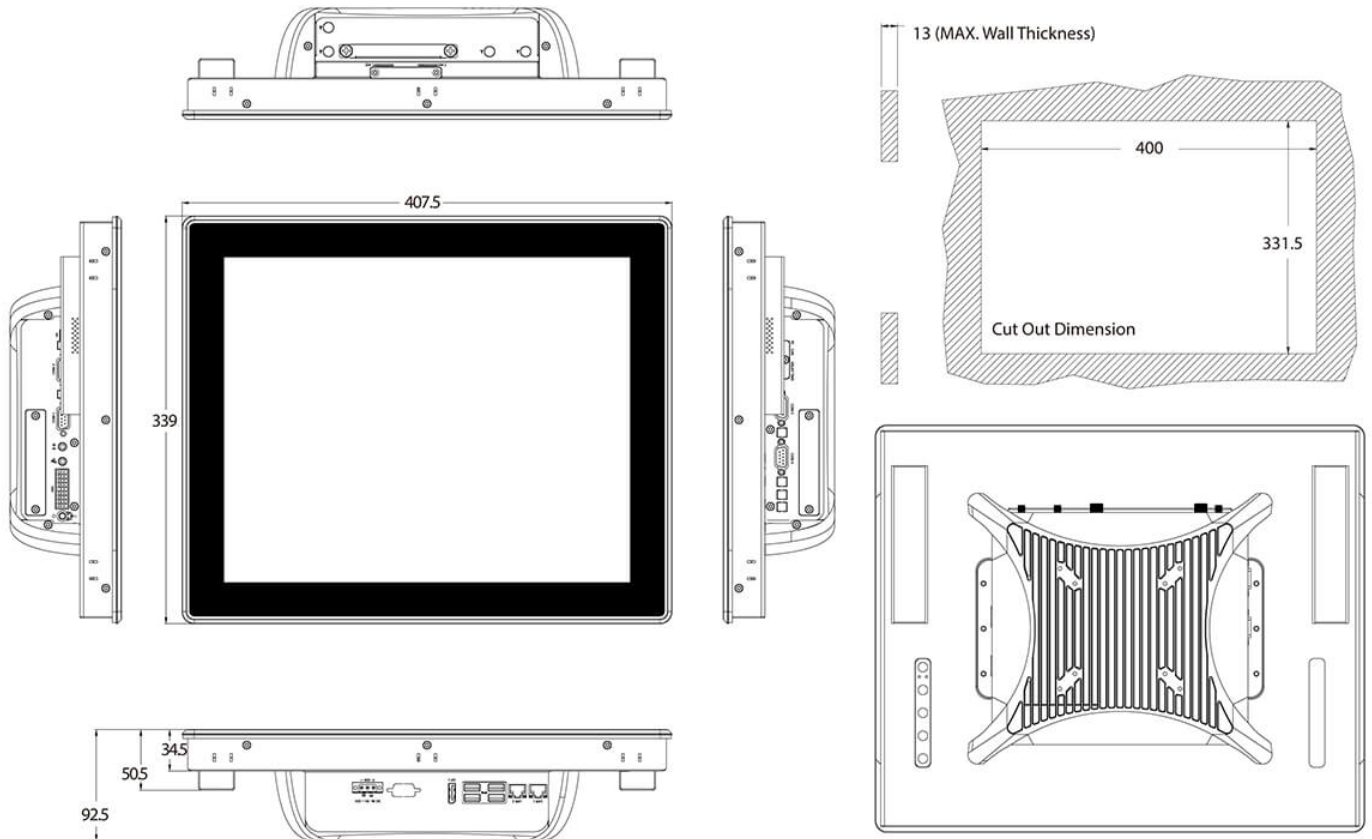


External I/O Mechanical Layout



Dimension

Unit: mm



Available Models

Model No.	Description
VIO-217C-13	17" Thin Frame Display Module, SXGA, Capacitive, 2x 10W Speaker
VIO-217HC-13	17" Thin Frame Display Module, SXGA, Capacitive, High Brightness, 2x 10w Speaker, V13
VIO-217HC-13-OB	17" Thin Frame Display Module, XGA, Capacitive, High Brightness, Optical Bonding, 2x 10w Speaker, V13
VIO-217HR-13	17" Thin Frame Display Module, SXGA, Resistive, High Brightness, 2x 10w Speaker, V13
VIO-217HR-13-OB	17" Thin Frame Display Module, XGA, Resistive, High Brightness, Optical Bonding, 2x 10w Speaker, V13
VIO-217R-13	17" Thin Frame Display Module, SXGA, Resistive, 2x 10W Speaker
PC100-KBL-7100U-1-P	PC Module for Industrial Display System with Intel i3-7100U Processor, 1x Universal Bracket
PC100-KBL-7100U-P	PC Module for Industrial Display System with Intel i3-7100U Processor
PC100-KBL-7300U-1-P	PC Module for Industrial Display System with Intel i5-7300U Processor, 1x Universal Bracket
PC100-KBL-7300U-P	PC Module for Industrial Display System with Intel i5-7300U Processor

Optional Accessories

Model No.	Description
1-E09A22801	Adapter AC/DC 24V/11.67A 280W with 3pin Terminal Block Plug 5.0mm Pitch
1-E09A22102	Adapter AC/DC 24V 9.2A 220W with 3pin Terminal Block Plug 5.0mm Pitch
999930	Power Cord, 3-pin US Type, 180cm
1-TPCD00002	Power Cord, European Type, 180cm
1-TPCD00001	Power Cord, 3-pin UK Type, 180cm

Packing List

- 1x VIO-217-PC100-KBL-U
- 1x Utility DVD Driver
- 10x Panel Mount Kit
- 1x Screw Pack

Exports And Tariff Codes

ECCN	5A992.c
HTS	8471.50.0150
Schedule B	84.71