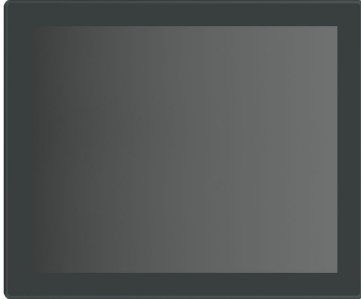




Industrial Touch Screen Computer

VIO-219-PC100-KBL-U

19" 4:3 IP65 Industrial Touchscreen Computer with 7th Gen Intel® Core™



VIO-219-PC400/410

Features

- 19" TFT SXGA 4:3 LCD with resistive 5-wire / projected capacitive touch
- Intel® 7th Gen (Kaby Lake-U) Processor Core™ i5-7300U, Core™ i3-7100U
- 1x 260-pin DDR4 SODIMM. max up to 16GB
- 1x 2.5" SATA HDD bay support RAID 0, 1
- 1x mSATA (shared by 1x Mini PCIe), 1x CFAST (shared by 1x mSATA), 2x SIM socket
- 2x full-size mini PCIe for communication or expansion modules
- 2x LAN, 1x DisplayPort, 1x Dual Channel 24 bit LVDS
- 4x RS-232/422/485, 4x USB 3.0, Audio
- 8x DI + 8x DO with isolation
- 2x Universal I/O Bracket for Expansion (VIO-112-PC410 Only)
- 9 to 50VDC wide range power input
- -10°C to 60°C extended operating temperature
- Designed with aluminum die-casting front frame
- IP65 compliant front panel
- Two 10W internal speakers built-in
- Multi-language OSD built-in
- High Brightness Display and Optical Bonding (Optional)

| | |
|-----------------|---|
| Others | 3x Antenna 1x Power Switch 1x AT/ATX Switch 1x Remote Power On/Off |
| Optical Bonding | Optional, contact us for more information |
| OSD | LCD On/Off, Auto, Menu, Up and Down Multi-language |
| Speaker | AMP 10W + 10W |

| | |
|----------------------|--|
| Power | |
| Power Adapter | Optional AC/DC 12V/5A, 60W |
| Power Management | Power Ignition Management |
| Power Mode | AT, ATX |
| Power Supply Voltage | 9~50 VDC |
| Power Connector | 3-Pin Terminal Blcok |
| Power Protection | OVP (Over Voltage Protection) OCP (Over Current Protection) Reverse Protection |

| | |
|-----------------------|-----------------------------------|
| Environment | |
| Operating Temperature | -10 °C ~ 60 °C (14 °F ~ 140 °F) |
| Storage Temperature | -20 °C to 70 °C (-4 °F to 158 °F) |
| Relative Humidity | 10% ~ 80% (non-condensing) |
| IP Level | IP 65 Compliant Front Panel |
| Certification | CE, FCC Class A |

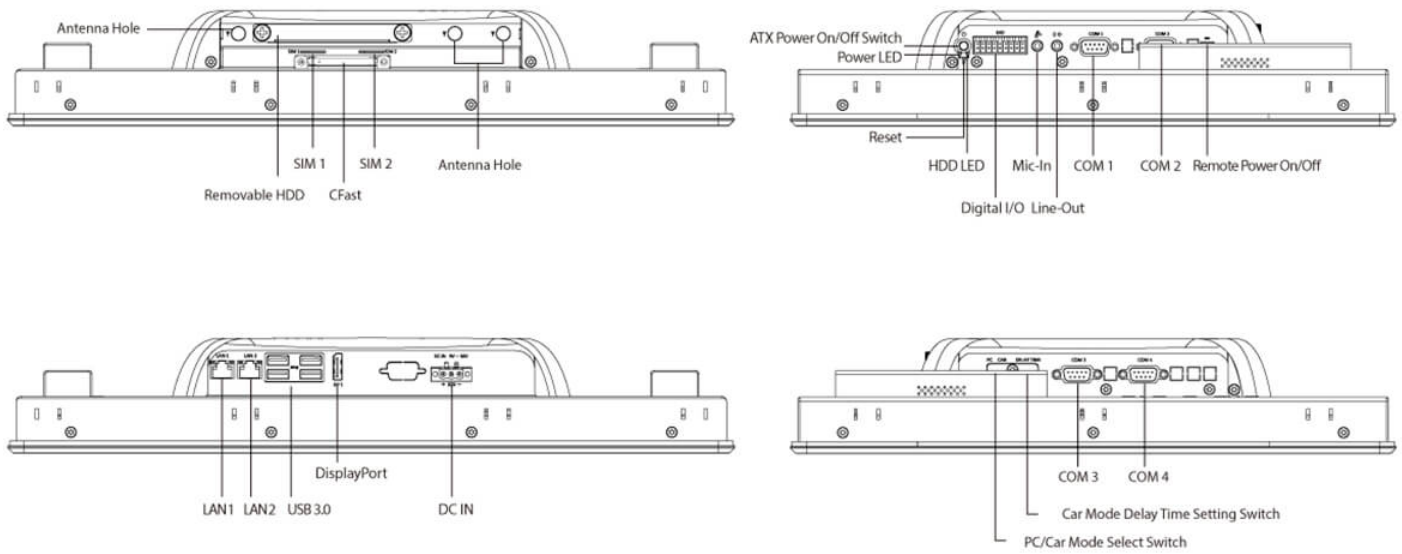
| | |
|------------------|--|
| Physical | |
| Dimensions | VIO-219-PC100-KBL-U: 450 (W) x 375 (D) x 71 (H) mm VIO-219-PC100-KBL-U-1: 450 (W) x 375 (D) x 93 (H) mm |
| Mounting Options | VESA Mounting Holes 75 x 75mm, 100 x 100mm |

Specifications

| | |
|---------------------------------|---|
| Display Panel | |
| IP Rating | IP65 |
| LCD Size | 19" (4:3) |
| Max. Resolution | 1280 x 1024 (SVGA) |
| Brightness (cd/m ²) | 350 / 1000 (optional) |
| Contrast Ratio | 1000:1 |
| LCD Color | 16.7M |
| Pixel Pitch (mm) | 0.294(H) x 0.294(V) |
| Viewing Angle | 170/160 |
| Backlight MTBF | 50000 hrs (LED Backlight) |
| Touch | |
| Touch Type | VIO-219R-13, VIO-219HR-13, VIO-219HR-13-OB, VIO-219C-13, VIO-219HC-13, VIO-219HC-13-OB |
| System | |
| Processor | Intel® 7th Gen (Kaby Lake-U) Processor Core™ i5-7300U, Core™ i3-7100U |
| System Chipset | SoC Integrated |
| LAN Chipset | GbE1 & GbE2: Intel® I210-AT (Support Wake-on-LAN and PXE) |
| System Memory | 1x 260-Pin DDR4 1866/2133MHz SODIMM. Max. up to 16GB |
| BIOS | AMI 64Mbit SPI BIOS |
| Watchdog | Software Programmable 1~255 sec. System Reset |
| Storage | |
| CFAST | 1x CFAST |
| mSATA | 1x mSATA |
| SIM Socket | 2x External SIM socket |
| SSD/HDD | 1 x Hotswap 2.5" SATA HDD Bay |
| Expansion | |
| Mini PCIe | 2x Full-size Mini PCIe |
| I/O | |
| Audio | 1x Mic-In, 1x line-out |
| COM | 4x RS-232/422/485 2x RS-232/422/485 (internal) |
| DIO | 8 in / 8 out (Isolated) |
| LAN | 2x RJ45 |
| Universal I/O Bracket | 2x Universal I/O Bracket |
| USB | 4x USB 3.0 |
| DP | 1x DP |

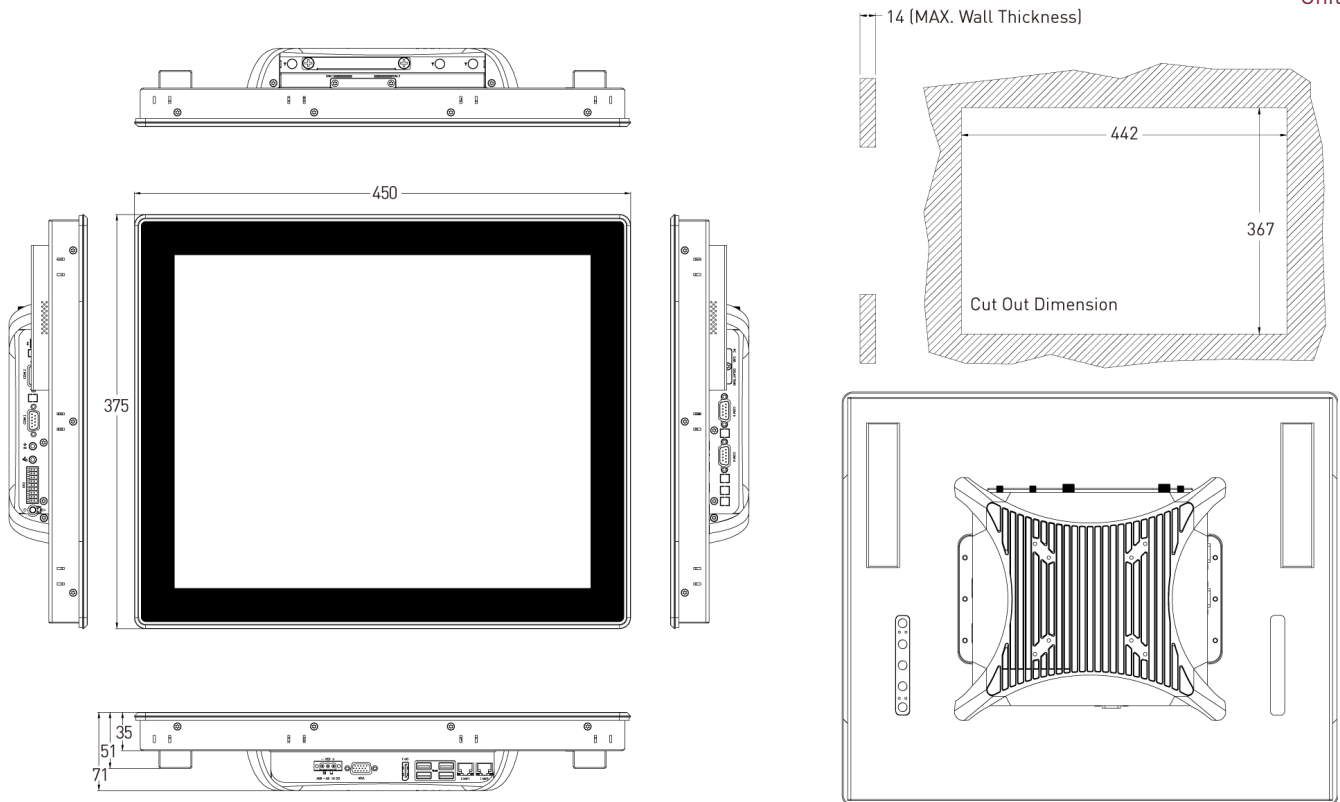
* All specifications and photos are subject to change without notice.

External I/O Mechanical Layout

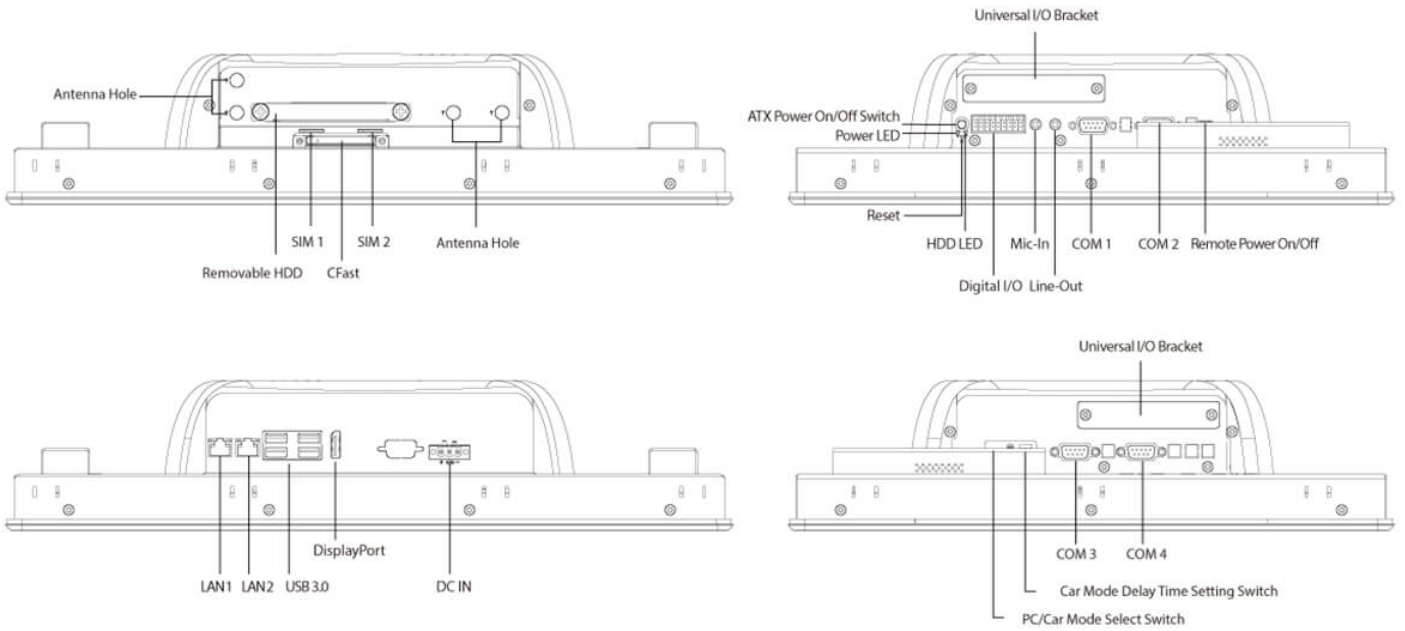


Dimension

Unit: mm

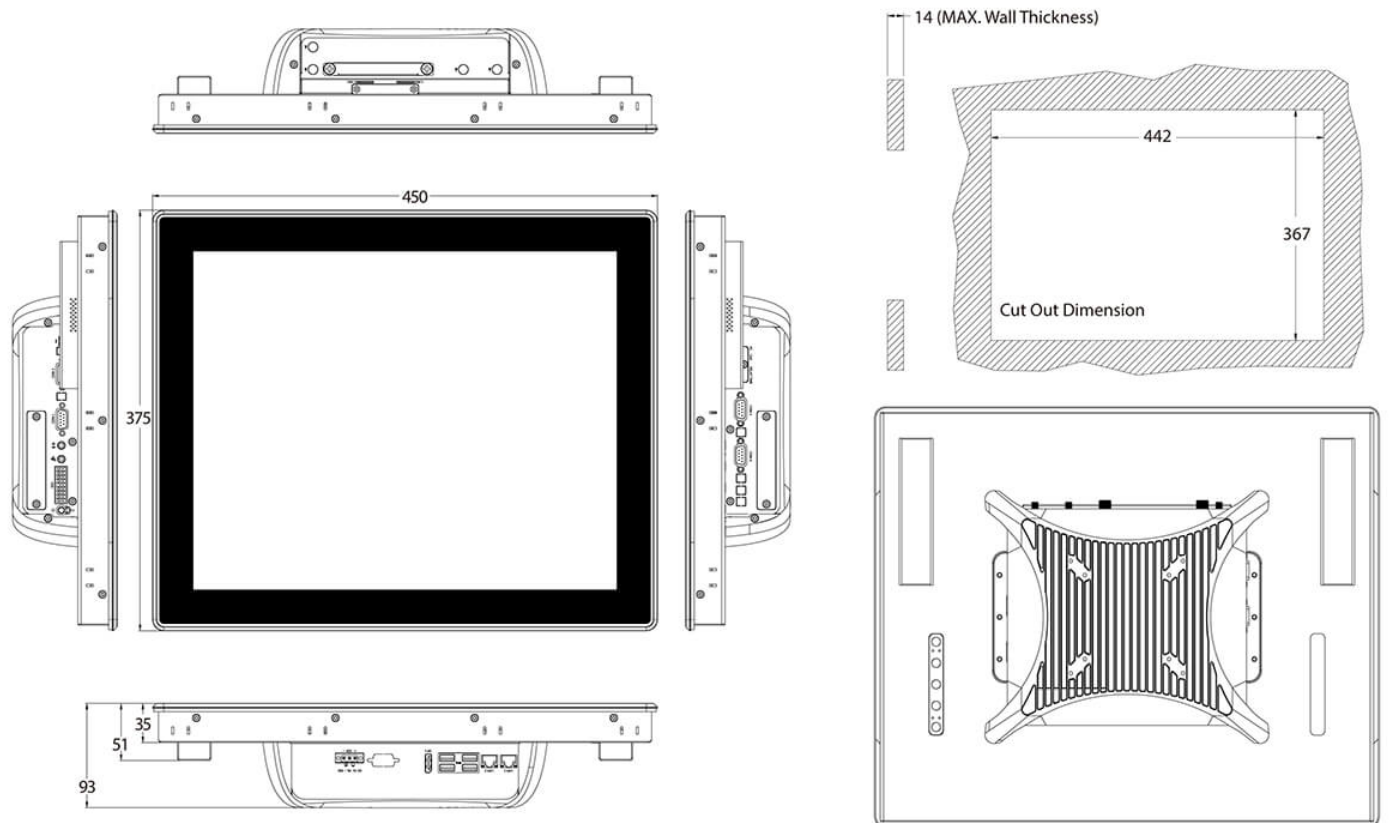


External I/O Mechanical Layout



Dimension

Unit: mm



Available Models

| Model No. | Description |
|---------------------|--|
| VIO-219C-13 | 19" Thin Frame Display Module, SXGA, Capacitive, 2x 10W Speaker |
| VIO-219HC-13 | 19" Thin Frame Display Module, SXGA, Capacitive, High Brightness, 2x 10w Speaker, V13 |
| VIO-219HC-13-OB | 19" Thin Frame Display Module, SXGA, Capacitive, High Brightness, Optical Bonding, 2x 10w Speaker, V13 |
| VIO-219HR-13 | 19" Thin Frame Display Module, SXGA, Resistive, High Brightness, 2x 10w Speaker, V13 |
| VIO-219HR-13-OB | 19" Thin Frame Display Module, SXGA, Resistive, High Brightness, Optical Bonding, 2x 10w Speaker, V13 |
| VIO-219R-13 | 19" Thin Frame Display Module, SXGA, Resistive, 2x 10W Speaker |
| PC100-KBL-7100U-1-P | PC Module for Industrial Display System with Intel i3-7100U Processor, 1x Universal Bracket |
| PC100-KBL-7100U-P | PC Module for Industrial Display System with Intel i3-7100U Processor |
| PC100-KBL-7300U-1-P | PC Module for Industrial Display System with Intel i5-7300U Processor, 1x Universal Bracket |
| PC100-KBL-7300U-P | PC Module for Industrial Display System with Intel i5-7300U Processor |

Optional Accessories

| Model No. | Description |
|-------------|---|
| 1-E09A22801 | Adapter AC/DC 24V/11.67A 280W with 3pin Terminal Block Plug 5.0mm Pitch |
| 1-E09A22102 | Adapter AC/DC 24V 9.2A 220W with 3pin Terminal Block Plug 5.0mm Pitch |
| 999930 | Power Cord, 3-pin US Type, 180cm |
| 1-TPCD00002 | Power Cord, European Type, 180cm |
| 1-TPCD00001 | Power Cord, 3-pin UK Type, 180cm |

Packing List

- 1x VIO-219-PC100-KBL-U
- 1x Utility DVD Driver
- 10x Panel Mount Kit
- 1x Screw Pack

Exports And Tariff Codes

| | |
|------------|--------------|
| ECCN | 5A992.c |
| HTS | 8471.50.0150 |
| Schedule B | 84.71 |