



### Features

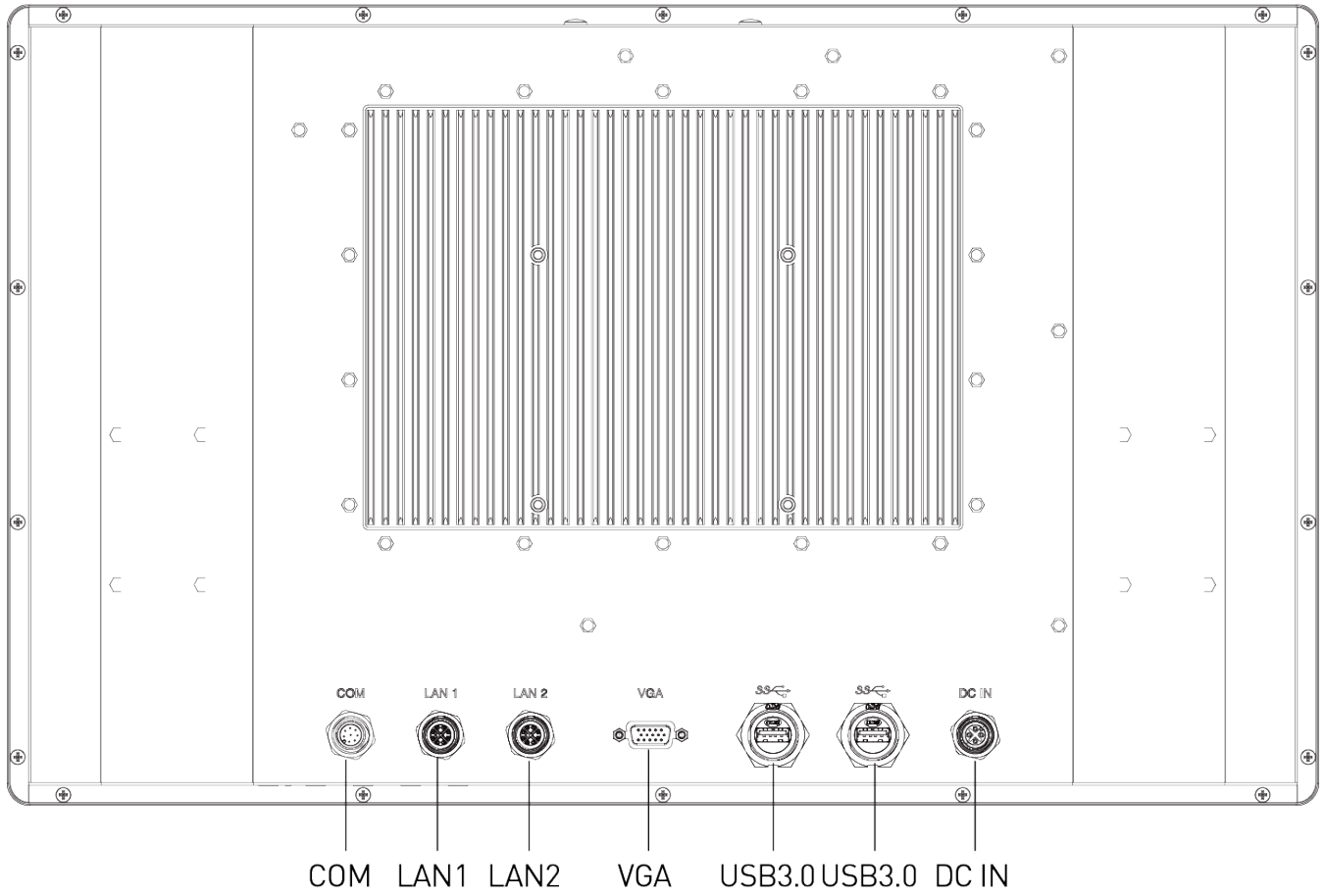
- 21.5" TFT FHD 16:9 LCD with Projected Capacitive Touch
- Intel® Core™ Processor i5-7300U, up to 3.5GHz / i3-7100U, 2.4GHz
- 8GB DDR4 Wide-temp SODIMM
- 1x 256GB Wide-temp mSATA, 2x internal SIM socket
- Single display supported by 1x VGA (waterproof connector)
- 2x LAN by M12 X-Code 8-pin
- 1x RS-232/422/485 by M12 D-Code 8-pin
- 2x USB 3.0 (waterproof connector)
- 9 to 50VDC wide range power input
- -10°C to 60°C extended operating temperature
- Full system IP66 compliant
- Two 10W internal speakers built-in (Optional for IP65 Configuration)
- Multi-language OSD built-in

### Specifications

Display Panel	
IP Rating	IP66
LCD Size	21.5" (16:9)
Max. Resolution	1920 x 1080 (FHD)
Brightness (cd/m <sup>2</sup> )	300
Contrast Ratio	5000:1
LCD Color	16.7M
Pixel Pitch (mm)	0.248(H) x 0.248(V)
Viewing Angle	178/178
Backlight MTBF	50000 hrs (LED Backlight)
Touch	
Projected Capacitive	10 point
Surface Hardness	7H
System	
Processor	
7th Gen Intel® Core™ i5-7300U Processor, Dual Core, 3MB Cache, up to 3.5 GHz	
7th Gen Intel® Core™ i3-7100U Processor, Dual Core, 3MB Cache, 2.4 GHz	
System Chipset	SoC Integrated
LAN Chipset	GbE1: Intel I219LM (Support Wake-on-LAN and PXE) GbE2: Intel I210-AT (Support Wake-on-LAN and PXE)
System Memory	8GB DDR4 Wide-temp SODIMM
BIOS	AMI 128Mbit SPI BIOS
Watchdog	Software Programmable 1~255 sec. System Reset
Storage	
mSATA	1x 256 GB Wide Temp mSATA
SIM Socket	2x Internal SIM Socket
Expansion	
Mini PCIe	1x Full-size Mini PCIe
I/O	
COM	1x RS-232/422/485 by M12 D-Code 8-pin
LAN	2x LAN by M12 X-Code 8-pin
USB	2x USB 3.0 (Waterproof connector)
Others	2x WiFi Antenna Holes
VGA	1x Waterproof VGA
Power	
Power Adapter	Optional AC/DC 12V/5A, 60W Optional Waterproof Power Input Cable
Power Mode	AT,ATX
Power Supply Voltage	9~50 VDC

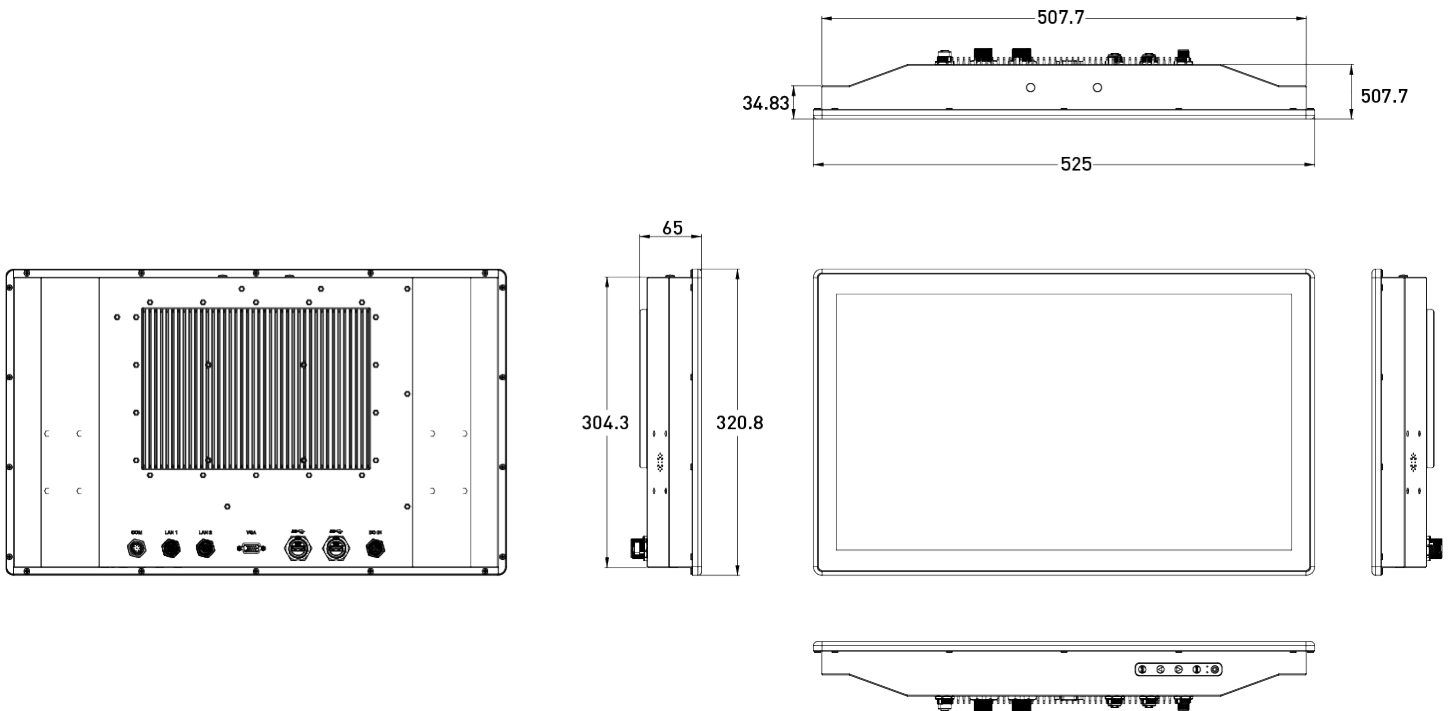
Power Connector	M12 A-code 4-pin
Power Protection	OVP (Over Voltage Protection) OCP (Over Current Protection) Reverse Protection
Environment	
Operating Temperature	-10 °C ~ 60 °C (14 °F ~ 140 °F )
Storage Temperature	-20 °C to 70 °C (-4 °F to 158 °F)
Relative Humidity	10% ~ 80% (non-condensing)
IP Level	Full System IP66
Certification	CE, FCC Class A
Physical	
Dimensions	525 (W) x 320.8 (D) x 74 (H) mm
Construction	Die Cast Flat Surface Front Panel
Mounting Options	VESA Mounting Holes 100x 100mm

External I/O Mechanical Layout



Dimension

Unit: mm



### Available Models

Model No.	Description
WIO-W221C-7100U-P	21.5" 16:9 IP66 Industrial Touchscreen Computer with 7th Gen Intel® Core™ i3-7100U
WIO-W221C-7300U-P	21.5" 16:9 IP66 Industrial Touchscreen Computer with 7th Gen Intel® Core™ i5-7300U

### Optional Accessories

Model No.	Description
1-E09A22801	Adapter AC/DC 24V/11.67A 280W with 3pin Terminal Block Plug 5.0mm Pitch
1-E09A22102	Adapter AC/DC 24V 9.2A 220W with 3pin Terminal Block Plug 5.0mm Pitch
999930	Power Cord, 3-pin US Type, 180cm
1-TPCD00002	Power Cord, European Type, 180cm
1-TPCD00001	Power Cord, 3-pin UK Type, 180cm

### Packing List

- 1x WIO-W221C
- 1x Utility DVD Driver
- 1x Waterproof Connector Cover Set
- 1x 120W Power Adapter with mating 1.5M Waterproof M12 Cable

### Exports And Tariff Codes

ECCN	EAR99
HTS	8528.59.1500
Schedule B	85.28