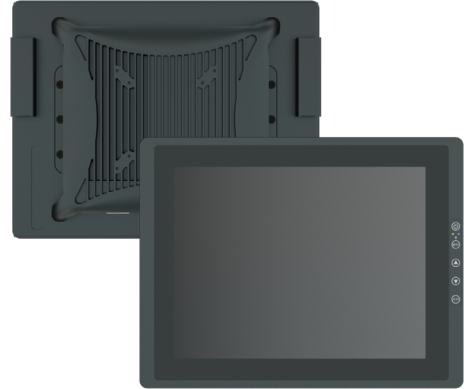


VIO-112/MX100

12.1" XGA Resistive / Capacitive Touch Monitor with 2x 5W Speaker

FEATURES

- 12.1" TFT SVGA 4:3 LCD with Resistive 5-wire / Projected Capacitive Touch
- 1x VGA, 1x DVI-D, 1x DisplayPort, 1x USB 2.0, 1x COM, 1x Audio
- 9 to 48VDC wide range power input
- -10°C to 60°C extended operating temperature
- Designed with Aluminum Die-Casting Front Frame
- IP65 Compliant Front Panel
- Two 5W Internal Speakers Built-in
- Multi-language OSD built-in



SPECIFICATIONS

DISPLAY

LCD Size	12.1" (4:3)
Max. Resolution	1024 x 768 (XGA)
Brightness (cd/m ²)	500
Contrast Ratio	700:1
LCD Color	16.2M
Pixel Pitch (mm)	0.24 (H) x 0.24 (V)
Viewing Angle (H-V)	160 / 160
Backlight MTBF	50000 hrs (LED Backlight)

TOUCH

Resistive 5-wire	VIO-112R/MX100 Only
Projected Capacitive	VIO-112C/MX100 Only

I/O

VGA Input	1x VGA (or 1x DVI-D by Order)
DVI-D Input	1x DVI-D Input
DisplayPort Input	1x DisplayPort Input
USB 2.0 Input	1x USB 2.0 Input
COM Port Input	1x COM Port Input
Audio Input	1x Audio Input

OTHER FEATURES

Internal Speaker	AMP 5W + 5W
OSD	LCD On/Off, Auto, Menu, Up and Down, Multi-language

POWER

Power Supply Voltage	9~48VDC
Power Ignition Sensing	Power Ignition Management
Power Connector	3-pin Terminal Block
Power Adaptor	Optional AC/DC 12V/5A, 60W
Power Protection	OVP (Over Voltage Protection) OCP (Over Current Protection) Reverse Protection

ENVIRONMENT

Operating Temp.	-10°C to 60°C
Storage Temp.	-20°C to 70°C
Relative Humidity	10% to 80% (non-condensing)
IP Level	IP 65 Compliant Front Panel
Standards / Certification	CE, FCC Class A

PHYSICAL

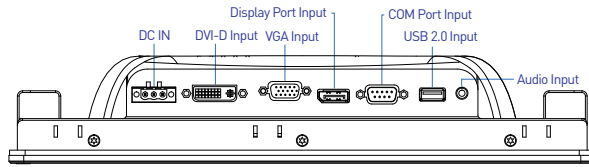
Front Panel Construction	Die-cast Flat Surface
Dimension	338 (W) x 262 (D) x 61.7 (H) mm
Weight	VIO-112R/MX100: 4.35 kg VIO-112C/MX100: 4.25 kg
Mounting	VESA Mounting Holes 75 x 75mm, 100 x 100mm

* For detailed performance specification, please refer to the data sheet or consult with the technical team.

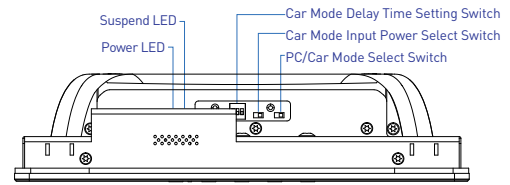
† The environmental specification covers the bare bone systems and does not include other components environmental specification.

EXTERNAL I/O MECHANICAL LAYOUT

Rear I/O

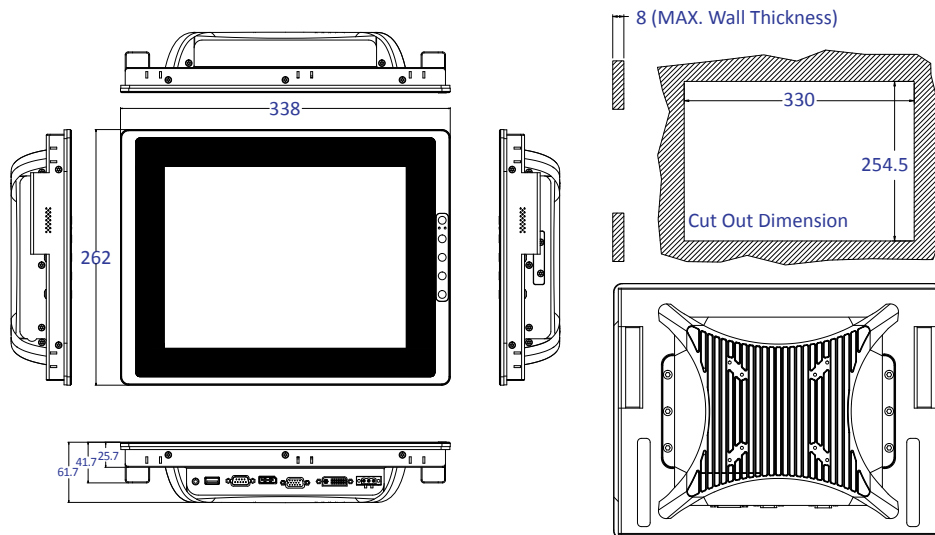


Right I/O



DIMENSION

Unit: mm



AVAILABLE MODELS

MODEL NO.	DESCRIPTION
VIO-112R/MX100	12.1" SVGA Resistive Touch Monitor with 2x 5W Speaker
VIO-112C/MX100	12.1" SVGA Capacitive Touch Monitor with 2x 5W Speaker

OPTIONAL ACCESSORIES

MODEL NO.	DESCRIPTION
1-E09A06007	Adapter AC/DC 12V 5A 60W with 3pin Terminal Block Plug 5.0mm Pitch
SFICBL022	Power Cord, 3-pin US Type, 180cm
1-TPCD00002	Power Cord, European Type, 180cm
1-TPCD00001	Power Cord, 3-pin UK Type, 180cm

PACKING LIST

- 1x VIO-112/MX100 Series Touch Monitor
- 10x Panel Mount Kit
- 1x Utility DVD Driver
- 1x Screw Pack