

VIO-215/PC110

15" XGA Resistive / Capacitive Touch Thin Frame Panel PC with Intel® Celeron® Processor J1900, 4x COM, 2x Universal I/O Bracket

FEATURES

- 15" TFT XGA 4:3 LCD with resistive 5-wire / projected capacitive touch
- Intel® Celeron® processor J1900, 2.0 GHz
- 1x 204-pin DDR3L SODIMM. max up to 8GB
- 1x 2.5" SATA HDD bay, 1x mSATA, 1x CFast, 2x SIM socket
- 2x full-size mini PCIe for communication or expansion modules
- 2x LAN, 1x VGA, 1x DisplayPort
- 6x RS-232/422/485 (w/ 2x internal), 1x USB 3.0, 3x USB 2.0, Audio
- 8x DI + 8x DO with isolation
- 2x universal I/O bracket (by mini PCIe interface)
- 9 to 50VDC wide range power input
- -10°C to 60°C extended operating temperature
- Designed with aluminum die-casting front frame
- IP65 compliant front panel
- Two 10W internal speakers built-in
- Multi-language OSD built-in



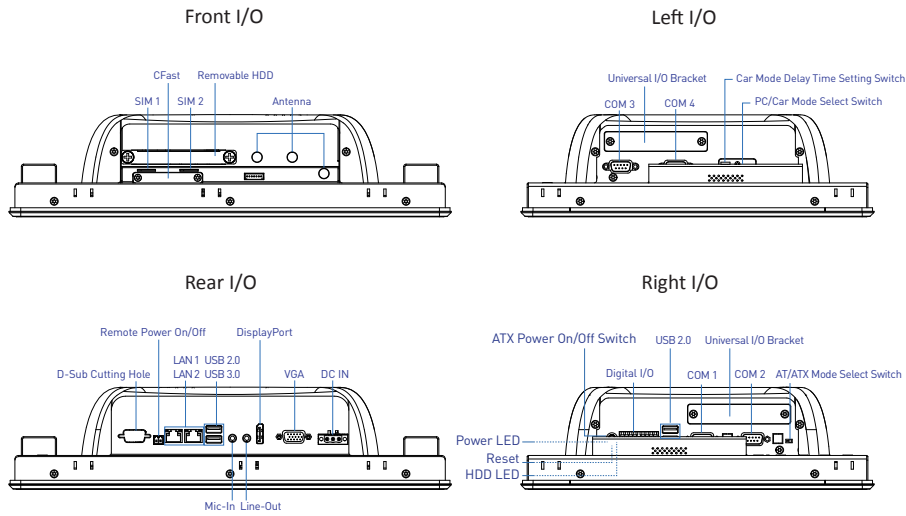
SPECIFICATIONS

DISPLAY			
LCD Size	15" (4:3)	USB	1x USB 3.0, 3x USB 2.0
Max. Resolution	1024 x 768 (XGA)	LAN	2x RJ45
Brightness (cd/m ²)	350	Audio	1x Mic-in, 1x Line-out
Contrast Ratio	700:1	DIO	8 in / 8 out (Isolated)
LCD Color	16.2M	Universal I/O Bracket	2x Universal I/O Bracket (By mini PCIe interface)
Pixel Pitch (mm)	0.297 (H) x 0.297 (V)	Others	3x WiFi Antenna Holes 1x Power Switch, 1x AT/ATX Switch, 1x Remote Power On/Off
Viewing Angle (H-V)	170 / 160	OTHER FEATURES	
Backlight MTBF	50000 hrs (LED Backlight)	Internal Speaker	AMP 10W + 10W
TOUCH		OSD	LCD On/Off, Auto, Menu, Up and Down Multi-language
Resistive 5-wire	VIO-215R/PC110 Only	OPERATING SYSTEM	
Projected Capacitive	VIO-215C/PC110 Only	Windows	Windows 10, Windows 7, WES7
SYSTEM		Linux	Linux kernel 3.X
Processor	Intel® Celeron® Processor J1900, Quad Core, 2MB Cache, 2.0 GHz	POWER	
System Chipset	SoC integrated	Power Mode	AT, ATX
LAN Chipset	GbE1 & GbE2: Intel® I210-AT (Support Wake-on-LAN and PXE)	Power Supply Voltage	9~50VDC
Audio Codec	Realtek ALC888S	Power Ignition Sensing	Power Ignition Management
System Memory	1x 204-Pin DDR3L 1066/1333MHz SODIMM. Max. up to 8GB	Power Connector	3-pin Terminal Block
BIOS	AMI 64Mbit SPI BIOS	Power Adaptor	Optional AC/DC 12V/5A, 60W
Watchdog	Software Programmable Supports 1~255 sec. System Reset	Power Protection	OVP (Over Voltage Protection) OCP (Over Current Protection) Reverse Protection
STORAGE		ENVIRONMENT	
SSD/HDD	1x External 2.5" SATA HDD Bay	Operating Temp.	-10°C to 60°C
mSATA	1x mSATA (Shared by 1x Mini PCIe)	Storage Temp.	-20°C to 65°C
CompactFlash/CFast	1x CFast (Shared by 1x mSATA & 1x Mini PCIe)	Relative Humidity	10% to 80% (non-condensing)
SIM Socket	2x External SIM socket	IP Level	IP 65 Compliant Front Panel
EXPANSION		Standards / Certification	CE, FCC Class A
Mini PCI Express	1x Full-size Mini PCIe Socket with USIM Socket (PCIe + USB + SATA) 1x Full-size Mini PCIe Socket with USIM Socket (PCIe + USB)	PHYSICAL	
I/O		Front Panel Construction	Die-cast Flat Surface
VGA	1x VGA	Dimension	377 (W) x 301 (D) x 86.7 (H) mm
DisplayPort	1x DisplayPort	Weight	VIO-215R/PC110: 5.32 kg VIO-215C/PC110: 5.24 kg
COM	4x RS-232/422/485 2x RS-232/422/485 (internal)	Mounting	VESA Mounting Holes 75 x 75mm, 100 x 100mm

* For detailed performance specification, please refer to the data sheet or consult with the technical team.

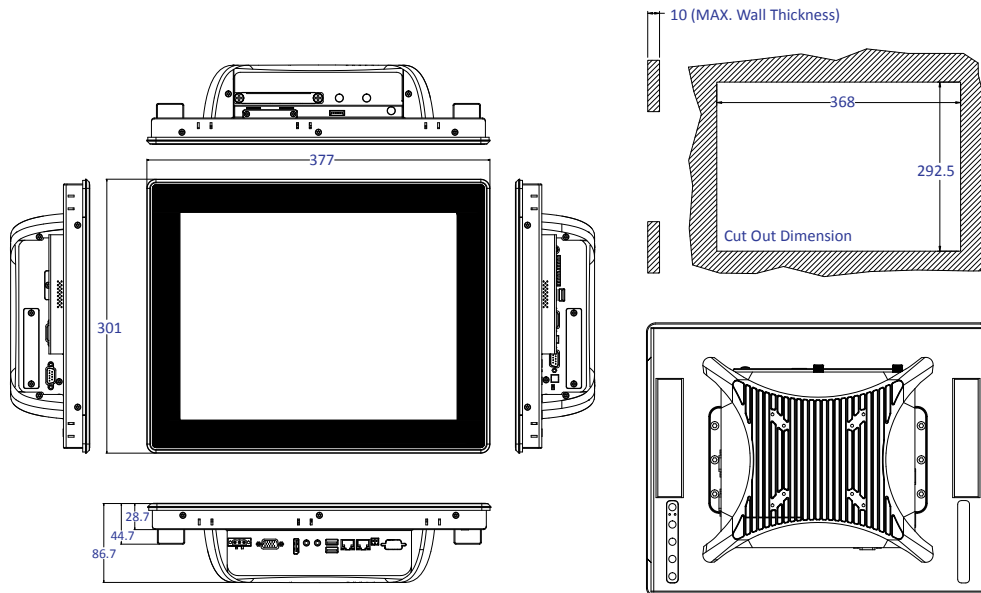
† The environmental specification covers the bare bone systems and does not include other components environmental specification.

EXTERNAL I/O MECHANICAL LAYOUT



DIMENSION

Unit: mm



AVAILABLE MODELS

MODEL NO.	DESCRIPTION
VIO-215R/PC110-J1900	15" XGA Resistive Touch Thin Frame Panel PC with Intel® Celeron® Processor J1900, 4x COM, 2x Universal I/O Bracket
VIO-215C/PC110-J1900	15" XGA Capacitive Touch Thin Frame Panel PC with Intel® Celeron® Processor J1900, 4x COM, 2x Universal I/O Bracket

OPTIONAL ACCESSORIES

MODEL NO.	DESCRIPTION
1-E09A06007	Adapter AC/DC 12V 5A 60W with 3pin Terminal Block Plug 5.0mm Pitch
SFICBL022	Power Cord, 3-pin US Type, 180cm
1-TPCD00002	Power Cord, European Type, 180cm
1-TPCD00001	Power Cord, 3-pin UK Type, 180cm

PACKING LIST

- 1x VIO-215/PC100 Series Panel PC
- 10x Panel Mount Kit
- 1x Utility DVD Driver
- 1x Screw Pack

