



VIO-212-MX100H

Rugged Front IP65 12.1" 4:3 XGA Touch Monitor with Resistive / Capacitive Touch



FEATURES

- 12.1" TFT 1024x768 XGA 4:3 LCD
- Resistive 5-wire or Projected Capacitive Touch
- 1x VGA, 1x DVI-D, 1x HDMI, 1x DisplayPort, 1x USB 2.0, 1x COM, 1x Audio
- 9 to 48 VDC wide range power input
- -10 °C to 60 °C extended operating temperature
- Aluminum die-casting front panel
- IP65 compliant front panel
- Two 5W internal speakers
- Multi-language OSD
- VESA mount option
- High Brightness Display and Optical Bonding (Optional)

SPECIFICATIONS

Display

LCD Size	12.1" (4:3)
Max Resolution	1024 x 768 (XGA)
Brightness	500 / 1000 (Optional)
Contrast Ratio	700:1
LCD Color	16.2M
Pixel Pitch (mm)	0.24 (H) x 0.24 (V)
Viewing Angle (H-V)	160/160
Backlight MTBF	50,000 hrs (LED Backlight)

Touch

Resistive 5-Wire	VIO-212R-13, VIO-212HR-13, VIO-212HR-13-OB
Projected Capacitive	VIO-212C-13, VIO-212HC-13, VIO-212HC-13-OB

I/O

VGA	1x VGA Input
HDMI	1x HDMI
DVI-D	1x DVI-D Input
Display Port	1x DisplayPort Input
COM	1x COM (for Resistive Touch)
USB	1x USB 2.0 (for Resistive Touch or P-CAP Touch)
Audio	1x Audio Input

Power

Power Supply Voltage	9-48VDC
Ignition Sensing	Power Ignition Management
Power Connector	3-pin Terminal Block
Power Adapter	Optional AC/DC 12V/5A, 60W
Power Protection	OVP (Over Voltage Protection) OCP (Over Current Protection) RPP (Reverse Polarity Protection)

Environment

Operating Temp.	-10 °C to 60 °C (14 °F to 140 °F)
Storage Temp.	-20 °C to 70 °C (-4 °F to 158 °F)
Relative Humidity	10% ~ 80% (non-condensing)
IP Level	IP 65 Compliant Front Panel
Certifications	CE, FCC Class A

Physical

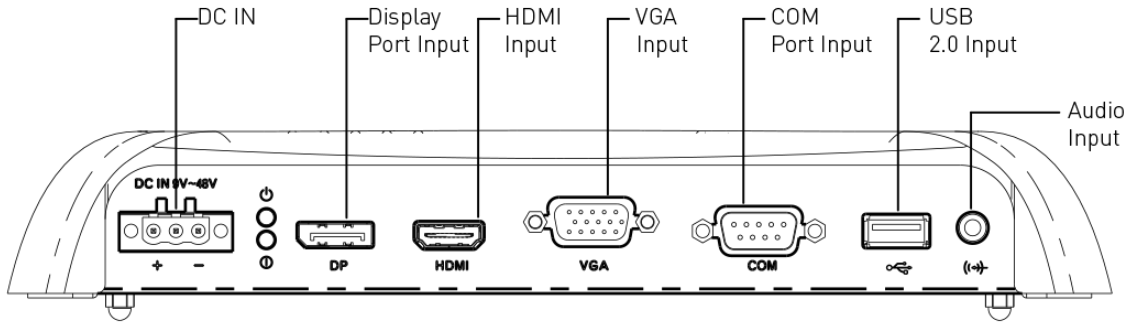
Dimensions	319 x 257 x 61.7 mm (12.6" x 10.1" x 2.4")
Weight	VIO-212R-MX100H: 4.20 kg (9.3 lb) VIO-212C-MX100H: 4.14 kg (9.1 lb)
Mounting	Panel Mount Wall / VESA Mount (Optional)

Other Features

Internal Speaker	AMP 5W + 5W
OSD	LCD On/Off, Auto, Menu Up and Down Multi-Language
Optical Bonding	Optional, contact us for more information

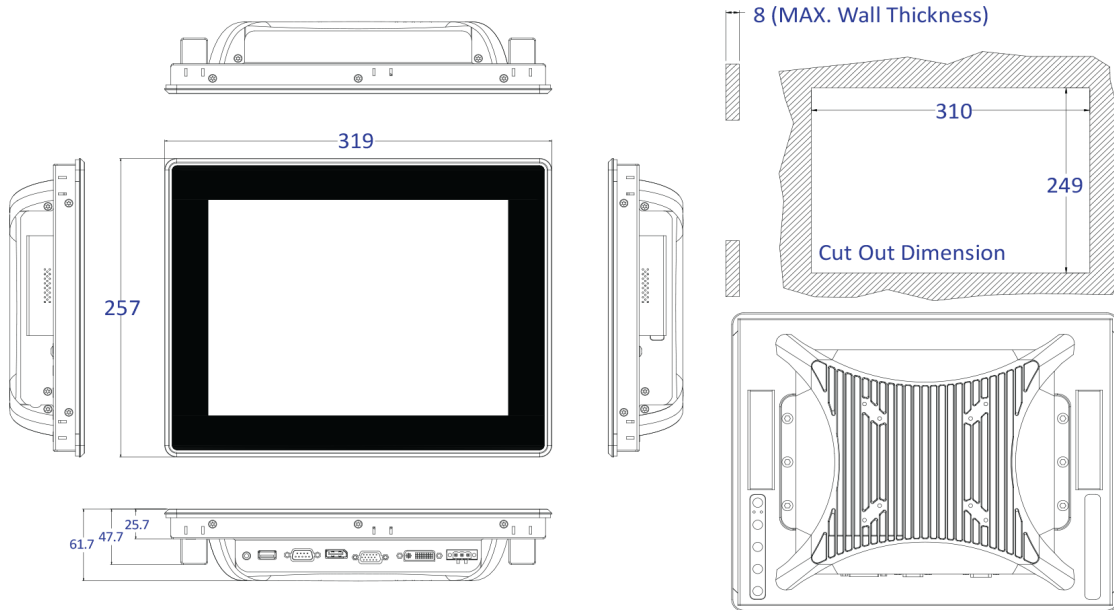
* All specifications and photos are subject to change without notice

EXTERNAL I/O MECHANICAL LAYOUT



DIMENSIONS

Unit: mm



AVAILABLE MODELS

MODEL NO.	DESCRIPTION
VIO-212R-MX100H	12.1" XGA (1024x768) 4:3 Resistive Touch Monitor with VGA/DVI-D/DisplayPort, 9~48VDC
VIO-212C-MX100H	12.1" XGA (1024x768) 4:3 Projected Capacitive Touch Monitor with VGA/DVI-D/DisplayPort, 9~48VDC

OPTIONAL ACCESSORIES

MODEL NO.	DESCRIPTION
1-E09A06002	Adapter AC/DC 12V 5A 60W with 3-pin Terminal Block Plug 5.0mm Pitch

PACKING LIST

- 1x VIO-212x-MX100H Series Touch Monitor
- 1x Panel Mount Kit
- 1x USB Cable
- 1x VGA Cable
- 1x Screw Pack