



# VIO-217-MX100H

Rugged Front IP65 17" SXGA Touch Monitor with Resistive / Capacitive Touch

**FEATURES**

- 17" TFT 1280x1024 SXGA 4:3 LCD
- Resistive 5-wire or Projected Capacitive Touch
- 1x VGA, 1x HDMI, 1x DVI-D, 1x DisplayPort, 1x USB 2.0, 1x COM, 1x Audio
- 9 to 48 VDC wide range power input
- -10 °C to 60 °C extended operating temperature
- Aluminum die-casting front panel
- IP65 compliant front panel
- Two 10W internal speakers
- Multi-language OSD
- VESA mount option
- High Brightness Display and Optical Bonding (Optional)

**SPECIFICATIONS****Display**

LCD Size	17" (4:3)
Max Resolution	1280 x 1024 (SXGA)
Brightness	350 / 1000 (Optional)
Contrast Ratio	800:1
LCD Color	16.7M
Pixel Pitch (mm)	0.264 (H) x 0.264 (V)
Viewing Angle (H-V)	170/160
Backlight MTBF	50,000 hrs (LED Backlight)

**Touch**

Resistive 5-Wire	VIO-217R-13, VIO-217HR-13, VIO-217HR-13-OB
Projected Capacitive	VIO-217C-13, VIO-217HC-13, VIO-217HC-13-OB

**I/O**

VGA	1x VGA Input
HDMI	1x HDMI
DVI-D	1x DVI-D Input
Display Port	1x DisplayPort Input
COM	1x COM (for Resistive Touch)
USB	1x USB 2.0 (for Resistive Touch or P-CAP Touch)
Audio	Audio 1x Audio Input

**Power**

Power Supply Voltage	9~48VDC
Ignition Sensing	Power Ignition Management
Power Connector	3-pin Terminal Block
Power Adapter	Optional AC/DC 12V/5A, 60W
Power Protection	OVP (Over Voltage Protection) OCP (Over Current Protection) RPP (Reverse Polarity Protection)

**Environment**

Operating Temp.	-10 °C to 60 °C (14 °F to 140 °F)
Storage Temp.	-20 °C to 70 °C (-4 °F to 158 °F)
Relative Humidity	10% ~ 80% (non-condensing)
IP Level	IP 65 Compliant Front Panel
Certifications	CE, FCC Class A

**Physical**

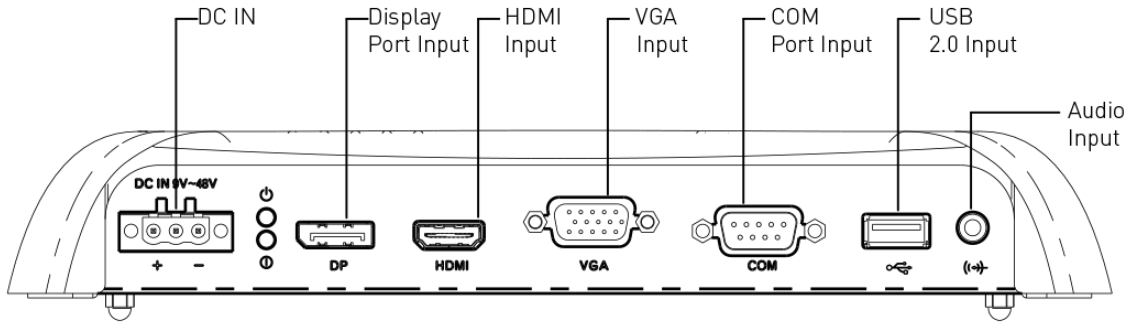
Dimensions	407.5(W) x 339(D) x 70.5(H) mm (16.0" x 13.3" x 2.8")
Weight	VIO-217R-MX100H: 6.38 kg (14.1 lb) VIO-217C-MX100H: 6.30 kg (13.89 lb)
Mounting	Panel Mount Wall / VESA Mount (Optional)

**Other Features**

Internal Speaker	AMP 10W + 10W
OSD	LCD On/Off, Auto, Menu Up and Down Multi-Language
Optical Bonding	Optional, contact us for more information

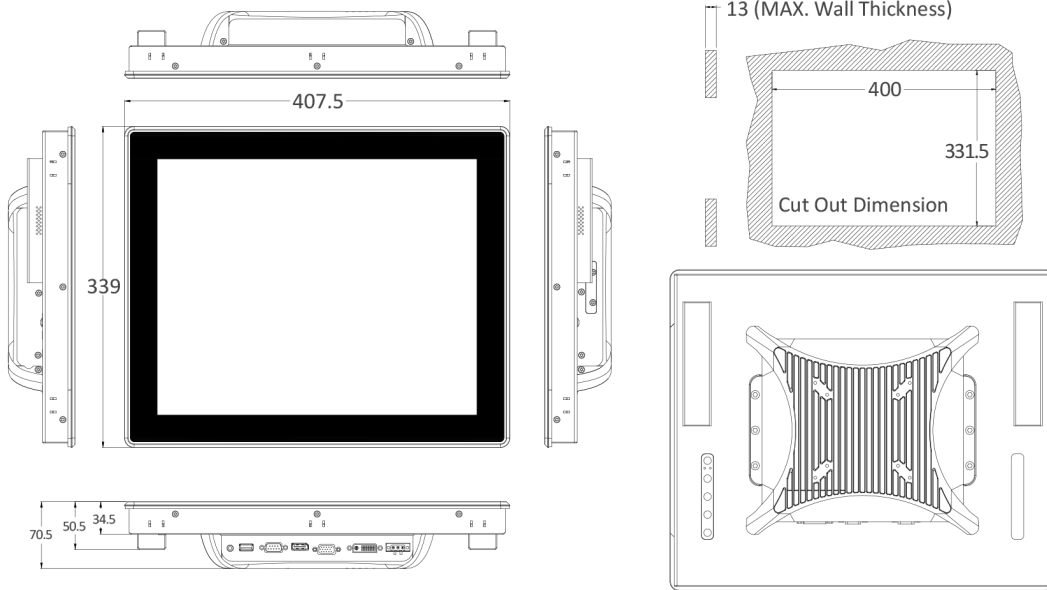
\* All specifications and photos are subject to change without notice

## EXTERNAL I/O MECHANICAL LAYOUT



## DIMENSIONS

Unit: mm



## AVAILABLE MODELS

MODEL NO.	DESCRIPTION
VIO-217R-MX100H	17" SXGA (1280x1024) 4:3 Resistive Touch Monitor with VGA/DVI-D/DisplayPort, 9~48VDC
VIO-217C-MX100H	17" SXGA (1280x1024) 4:3 Projected Capacitive Touch Monitor with VGA/DVI-D/DisplayPort, 9~48VDC

## OPTIONAL ACCESSORIES

MODEL NO.	DESCRIPTION
1-E09A06002	Adapter AC/DC 12V 5A 60W with 3-pin Terminal Block Plug 5.0mm Pitch

## PACKING LIST

- 1x VIO-217x-MX100H Series Touch Monitor
- 1x Panel Mount Kit
- 1x USB Cable
- 1x VGA Cable
- 1x Screw Pack