

ACO-6011P-8L

Surveillance Applied System with LGA 1151 for Intel® 6th/7th Gen Processor and Q170 PCH, 10x LAN, 1x PCI Expansion

FEATURES

- LGA 1151 socket for 6th /7th Gen. Intel® Core™ i7/i5/i3 or Pentium® / Celeron® Desktop Processor
- Intel® Q170 Chipset
- 2x 260-pin DDR4 SODIMM. Max up to 32GB
- Triple independent display supported by 1x DVI-I and 2x DisplayPort
- 10x Intel® GbE (w/ 2x supporting Wake-on-LAN and PXE)
- 4x 2.5" SATA HDD bay and 2x mSATA supporting RAID 0, 1, 5, 10
- 3x Full-size mini PCIe for communication or expansion modules, 3x SIM socket
- 1x PCI, 1x Universal Bracket (For mini PCIe application)
- 5x RS-232/422/485 (w/ 3x internal), 6x USB 3.0, 2x USB 2.0 (internal), TPM 1.2
- 8x DI + 8x DO with Isolation
- 9 to 48VDC wide range power input supporting AT/ATX mode
- -25°C to 70°C extended operating temperature
- Power ignition management



SPECIFICATIONS

SYSTEM

Processor
Support 6th & 7th Gen Intel® Core™ i7 / i5 / i3 / Pentium® / Celeron® Desktop Processor (LGA 1151)
- 7th Gen Intel® Core™ i7-7700T, Quad Core, 8MB cache, up to 3.8 GHz
- 7th Gen Intel® Core™ i5-7500T, Quad Core, 6MB cache, up to 3.3 GHz
- 7th Gen Intel® Core™ i3-7101TE, Dual Core, 3MB Cache, 3.4 GHz
- 6th Gen Intel® Core™ i7-6700TE, Quad Core, 8MB Cache, up to 3.4 GHz
- 6th Gen Intel® Core™ i5-6500TE, Quad Core, 6MB Cache, up to 3.3 GHz
- 6th Gen Intel® Core™ i3-6100TE, Dual Core, 4MB Cache, 2.7 GHz
- Intel® Pentium® G4400TE, Dual Core, 3MB Cache, 2.4 GHz
- Intel® Celeron® G3900TE, Dual Core, 2MB Cache, 2.3 GHz

System Chipset Intel® Q170 Express Chipset

LAN Chipset GbE1: Intel® I210-AT (Support Wake-on-LAN and PXE)
GbE2: Intel® I219LM (Support Wake-on-LAN and PXE)
GbE3~GbE10: Intel® I350-AM4

Audio Codec Realtek ALC888S

System Memory 2x 260-Pin DDR4 1866/2133MHz SODIMM. Max. up to 32GB

BIOS AMI 128Mbit SPI BIOS

Watchdog Software Programmable Supports 1~255 sec. System Reset

TPM TPM 1.2

DISPLAY

VGA Yes (by optional split cable)

DVI 1x DVI-I

DisplayPort 2x DisplayPort

Multiple Display Triple Display

STORAGE

SSD/HDD 2x Internal 2.5" SATA HDD Bay
2x Removable 2.5" SATA HDD Bay
Support RAID 0, 1, 5, 10

mSATA 2x mSATA (Shared by 2x Mini PCIe)

SIM Socket 2x External SIM socket
1x Internal SIM socket

EXPANSION

Mini PCIe 3x Full-size Mini PCIe

PCI 1x PCI

OPERATING SYSTEM

Windows 6th Gen CPU: Windows 10, Windows 7, WES7
7th Gen CPU: Windows 10

Linux Linux kernel 4.X

I/O

COM 2x RS-232/422/485
3x RS-232/422/485 (internal)

USB 6x USB 3.0
2x USB 2.0 (internal)

LAN 2x GbE RJ45
8x GbE RJ45 (module)

Audio 1x Mic-in, 1x Speaker-out

DIO 8 in / 8 out (Isolated)

Universal I/O Bracket 1x Universal I/O Bracket (For mini PCIe application)

Others 6x WiFi Antenna Holes
1x Power Switch, 1x AT/ATX Switch,
1x Remote Power On/Off

POWER

Power Mode AT, ATX

Power Supply Voltage 9~48VDC

Power Ignition Sensing Power Ignition Management

Power Connector 3-pin Terminal Block

Power Adaptor Optional AC/DC 24V/5A, 120W

Power Protection OVP (Over Voltage Protection)
OCP (Over Current Protection)
Reverse Protection

ENVIRONMENT

Operating Temp. -25°C to 70°C

Storage Temp. -30°C to 85°C

Relative Humidity 10% to 95% (non-condensing)

Vibration With SSD: 5 Grms, 5 - 500 Hz, 0.5 hr/axis
With HDD: 1 Grms, 5 - 500 Hz, 0.5 hr/axis

Shock With SSD: 50G, half sine, 11ms

Standards / Certification CE, FCC Class A, E-Mark,
EMC Conformity with EN50155 & EN50121-3-2

PHYSICAL

Construction Extruded Aluminum with Heavy Duty Metal

Dimension 240 (W) x 261 (D) x 107 (H) mm

Weight 5.47 kg

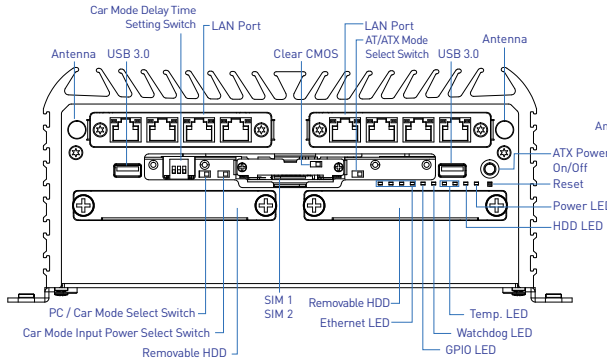
Mounting Wall Mounting

* For detailed performance specification, please refer to the data sheet or consult with the technical team.

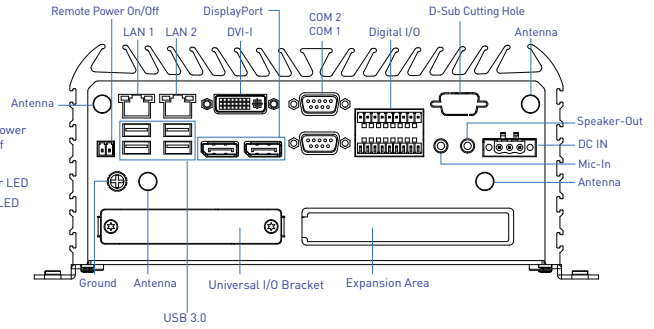
† The environmental specification covers the bare bone systems and does not include other components environmental specification.

EXTERNAL I/O MECHANICAL LAYOUT

Front Panel

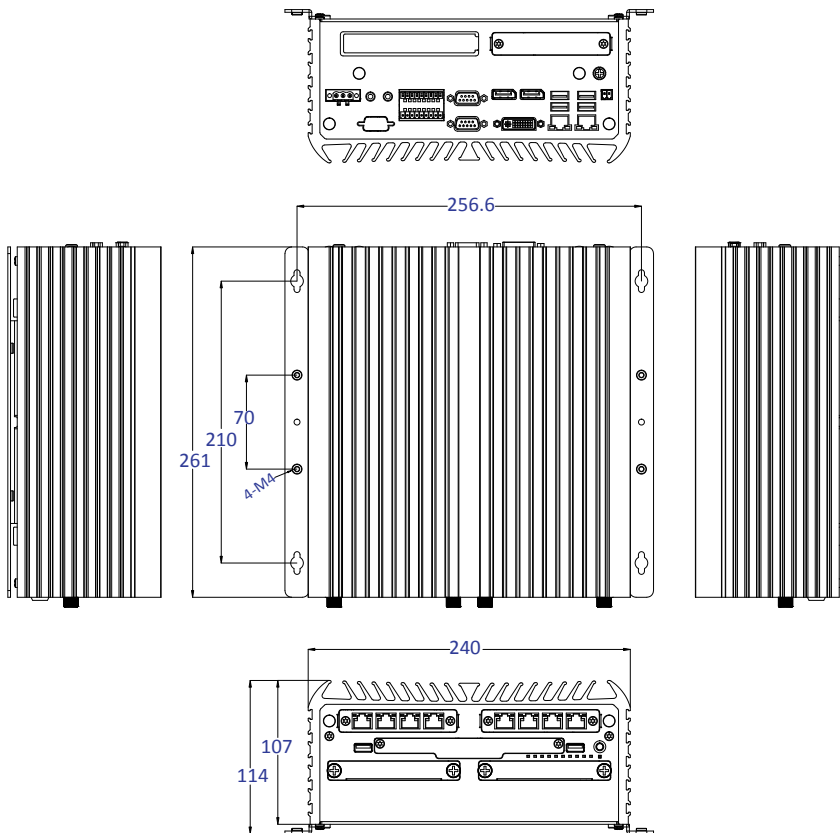


Rear Panel



DIMENSION

Unit: mm



AVAILABLE MODELS

MODEL NO.	DESCRIPTION
ACO-6011P-8L	Surveillance Applied Fanless System with LGA 1151 for Intel® 6 th /7 th Gen Processor and Q170 PCH, 10x LAN, 1x PCI Expansion

OPTIONAL ACCESSORIES

MODEL NO.	DESCRIPTION
1-E09A12002	Adapter AC/DC 24V 5A 120W with 3pin Terminal Block Plug 5.0mm Pitch
SFICBL022	Power Cord, 3-pin US Type, 180cm
1-TPCD00002	Power Cord, European Type, 180cm
1-TPCD00001	Power Cord, 3-pin UK Type, 180cm

PACKING LIST

- 1x ACO-6000 Series Applied Fanless System
- 1x Utility DVD Driver
- 1x Wall Mount Kit
- 1x Accessory Kit
- 1x DVI to VGA Adapter

