

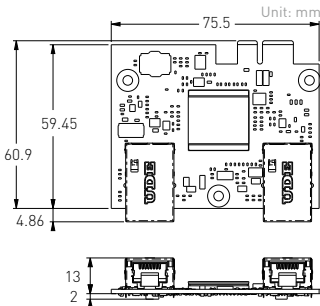
Ethernet Module series

Premio provides ethernet daughterboard modules that integrate easily into Premio embedded and edge computers through standard PCIe protocols. These flexible add-in modules provide additional ethernet I/O ports and scalable connectivity for IoT deployments that require ethernet connections in multiple RJ45 and M12 locking connectors. Both RJ45 and M12 locking connector modules can also provide PoE+ (IEEE 802.3at) for data and power through single cable. These add-in daughterboard modules complement our fanless design architecture in order to provide mission-critical reliability and connectivity for a variety of IoT applications. Popular IoT workloads that leverage these add-in ethernet modules include: security and surveillance, kiosks, railway, vehicle telematics, and industrial automation. Please consult our embedded experts to help select the best module for your IoT demands.



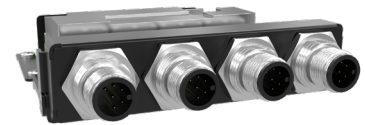
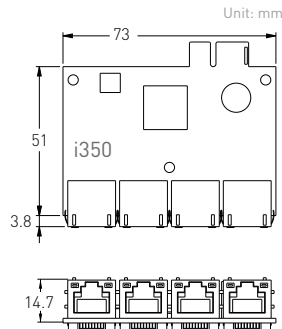
DTB-D10G

- Intel® Ethernet Controller X710-AT2
- 1x PCIe x1 Gold finger (x4 Lane)
- 2x 10GbE LAN, RJ45 Port



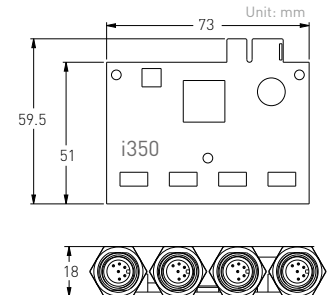
DTB-4ETH

- Intel® Ethernet Controller I350
- 1x PCIe x4 Gold finger (x4 Lane)
- 4x 1GbE LAN, RJ45 Port
- Support Power over Ethernet by an optional PoE module



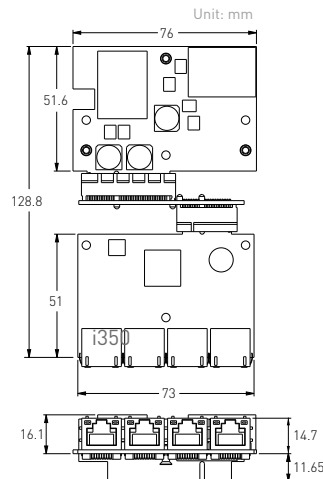
DTB-4ETH-M12

- Intel® Ethernet Controller I350
- 1x PCIe x4 Gold finger (x4 Lane)
- 4x 1GbE LAN, M12 Port
- Support Power over Ethernet by an optional PoE module



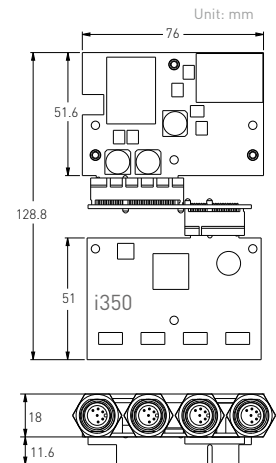
DTB-4ETH-PWR

- up to 25.2 watt per port
- Complies with IEEE 802.3at



DTB-4ETH-PWR-M12

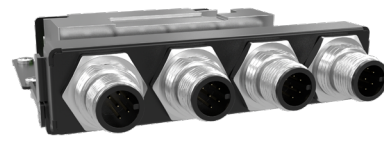
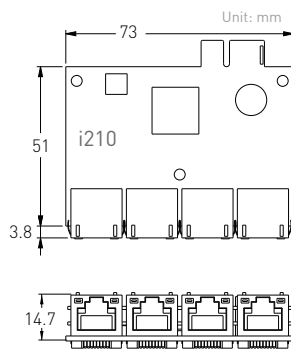
- up to 25.2 watt per port
- Complies with IEEE 802.3at





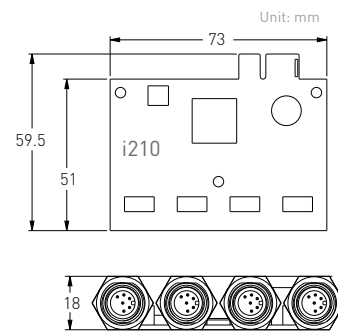
DTB-4LAN

- Intel® Ethernet Controller I210
- 1x PCIe x1 Gold finger
- 4x 1GbE LAN, RJ45 Port
- Support Power over Ethernet by an optional PoE module



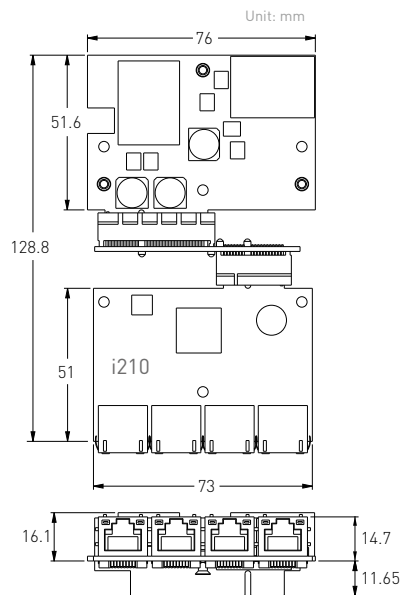
DTB-4LAN-M12

- Intel® Ethernet Controller I210-AT
- 1x PCIe x1 Gold finger
- 4x 1GbE LAN, M12 Port
- Support Power over Ethernet by an optional PoE module



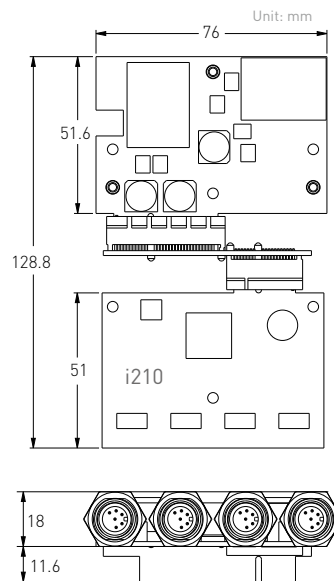
DTB-4LAN-PWR

- up to 25.2 watt per port
- Complies with IEEE 802.3at



DTB-4LAN-PWR-M12

- up to 25.2 watt per port
- Complies with IEEE 802.3at



COMPATIBLE LIST

MODEL NO.	DTB-D10G	DTB-4ETH DTB-4ETH-PWR	DTB-4ETH-M12 DTB-4ETH-PWR-M12	DTB-4LAN DTB-4LAN-PWR	DTB-4LAN-M12 DTB-4LAN-PWR-M12
RCO-3000				V	V
RCO-3200				V	V
RCO-3400				V	V
ACO-3000				V	V
RCO-6000				V	V
ACO-6000	V	V	V		
RCO-6100	V	V	V		

ORDERING INFORMATION

MODEL NO.	DESCRIPTION
DTB-D10G	DTB Module with 2x Intel 10GbE LAN
DTB-4ETH	DTB Module with 4x Intel 1GbE LAN
DTB-4ETH-M12	DTB Module with 4x Intel M12 1GbE LAN
DTB-4LAN	DTB Module with 4x Intel 1GbE LAN
DTB-4LAN-M12	DTB Module with 4x Intel M12 1GbE LAN
DTB-4ETH-PWR	DTB Module with 4x Intel 1GbE LAN with PoE module
DTB-4ETH-PWR-M12	DTB Module with 4x Intel M12 1GbE LAN with PoE module
DTB-4LAN-PWR	DTB Module with 4x Intel 1GbE LAN with PoE module
DTB-4LAN-PWR-M12	DTB Module with 4x Intel M12 1GbE LAN with PoE module

** All specifications and photos are subject to change without notice.*