



## FEATURES

- LGA 1151 socket for 6<sup>th</sup>/7<sup>th</sup> Gen. Intel® Core™ i7/i5/i3 or Pentium® / Celeron® Desktop Processor
- Intel® Q170 chipset
- 2x DDR4 1866/2133MHz SODIMM. Max. up to 32GB
- Intel® HD Graphics 530 / 630
- Triple independent display supported by 1x DVI-I, 1x DisplayPort, 1x HDMI (Optional)
- 2x Intel® GbE supporting Wake-on-LAN and PXE
- 2x internal 2.5" SATA HDD bay with RAID 0, 1, 5, 10 support, 2x mSATA (shared by 2x Mini PCIe), 1x CFast
- 2x full-size Mini PCIe (shared by 2x mSATA) for communication or expansion modules, 2x external SIM socket
- 4x RS-232/422/485 (w/ 2x internal), 6x USB 3.0, 2x USB 2.0 (internal)
- 8x DI + 8x DO with isolation
- 9 to 50VDC wide range power input supporting AT/ATX mode
- -25°C to 60°C extended operating temperature

## SPECIFICATIONS

### System

Processor	Support 6 <sup>th</sup> & 7 <sup>th</sup> Gen Intel® Core™ i7 / i5 / i3 / Pentium® / Celeron® Desktop Processor (LGA 1151)
	- 7 <sup>th</sup> Gen Intel® Core™ i7-7700T, Quad Core, 8MB cache, up to 3.8 GHz
	- 7 <sup>th</sup> Gen Intel® Core™ i5-7500T, Quad Core, 6MB cache, up to 3.3 GHz
	- 7 <sup>th</sup> Gen Intel® Core™ i3-7101TE, Dual Core, 3MB Cache, 3.4 GHz
	- 6 <sup>th</sup> Gen Intel® Core™ i7-6700TE, Quad Core, 8MB Cache, up to 3.4 GHz
	- 6 <sup>th</sup> Gen Intel® Core™ i5-6500TE, Quad Core, 6MB Cache, up to 3.3 GHz
	- 6 <sup>th</sup> Gen Intel® Core™ i3-6100TE, Dual Core, 4MB Cache, 2.7 GHz
	- Intel® Pentium® G4400TE, Dual Core, 3MB Cache, 2.4 GHz
	- Intel® Celeron® G3900TE, Dual Core, 2MB Cache, 2.3 GHz

System Chipset	Intel® Q170 Express Chipset
LAN Chipset	GbE1: Intel® I210-AT (Support Wake-on-LAN and PXE) GbE2: Intel® I219LM (Support Wake-on-LAN and PXE)
Audio Codec	Realtek ALC888S
System Memory	2x DDR4 1866/2133MHz SODIMM. Max. up to 32GB
BIOS	AMI 128Mbit SPI BIOS
Watchdog	Software Programmable Supports 1~255 sec. System Reset

### Display

Graphics	Intel® HD Graphics 530 / 630
VGA	Yes (by optional split cable)
DVI	1x DVI-I
DisplayPort	1x DisplayPort
HDMI	1x HDMI (optional)
Multiple Display	Triple Display

### Storage

SSD/HDD	2x Internal 2.5" SATA HDD Bay Support RAID 0, 1, 5, 10
mSATA	2x mSATA (shared by 2x Mini PCI Express)
CFast	1x CFast
SIM Socket	2x External SIM socket

### Expansion

Mini PCI	2x Full-size Mini PCIe (shared by 2x mSATA)
----------	---

### Operating System

Windows	6 <sup>th</sup> Gen CPU: Windows 10, Windows 7, WES7 7 <sup>th</sup> Gen CPU: Windows 10
Linux	Linux kernel 4.X
I/O	
COM	2x RS-232/422/485 2x RS-232/422/485 (internal)
USB	6x USB 3.0, 2x USB 2.0 (internal)
LAN	2x RJ45
Audio	1x Mic-in, 1x Speaker-out
DIO	8 in / 8 out (Isolated)
Others	4x WiFi Antenna Holes 1x Power Switch, 1x AT/ATX Switch, 1x Remote Power On/Off

### Power

Power Mode	AT, ATX
Power Supply Voltage	9-50VDC
Power Connector	3-pin Terminal Block
Power Adaptor	Optional AC/DC 24V/5A, 120W
Power Protection	OVP (Over Voltage Protection) OCP (Over Current Protection) Reverse Protection

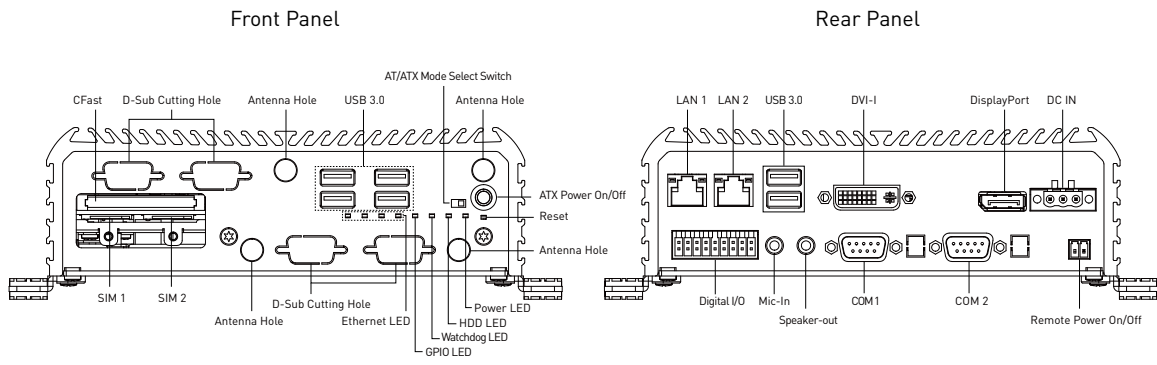
### Environment

Operating Temp.	-20°C to 60°C
Storage Temp.	-40°C to 85°C
Relative Humidity	10% to 95% (non-condensing)
Vibration	With SSD: 5 Grms, 10 - 500 Hz, 0.5 hr/axis With HDD: 1 Grms, 10 - 500 Hz, 0.5 hr/axis
Shock	With SSD: 20G, half sine, 11ms
Standards / Certification	CE, FCC Class A

### Physical

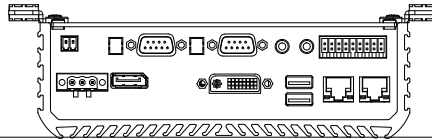
Construction	Extruded Aluminum with Heavy Duty Metal
Dimension	185 (W) x 197 (D) x 57.4 (H) mm
Weight	2.28 kg
Mounting	Wall / Book Mounting DIN-Rail Mounting (Optional)

EXTERNAL I/O MECHANICAL LAYOUT

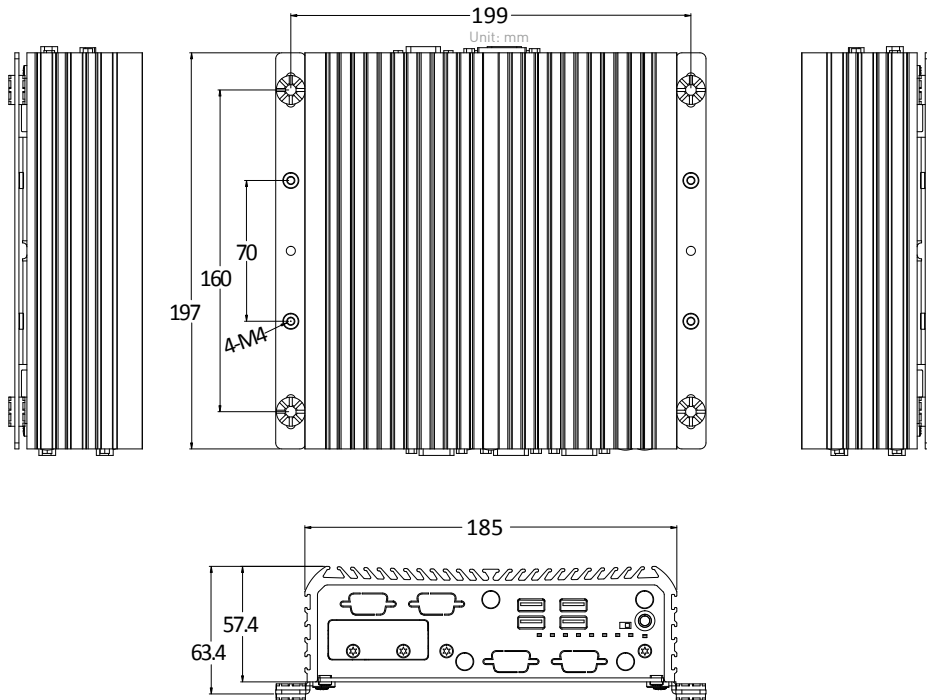


DIMENSION

Unit: mm



DIMENSION



## ORDERING INFORMATION

MODEL NO.	DESCRIPTION
1-E09A12002	Adapter AC/DC 24V 5A 120W with 3pin Terminal Block Plug 5.0mm Pitch
SFICBL022	Power Cord, 3-pin US Type, 180cm
1-TPCD00002	Power Cord, European Type
1-TPCD00001	Power Cord, 3-pin UK Type, 180cm

## PACKING LIST

- 1x RCO-3600 Series Embedded System
- 1x Utility DVD Driver
- 1x Wall Mount Kit
- 1x Accessory Kit
- 1x DVI to VGA Adapter

## AVAILABLE MODELS

MODEL NO.	DESCRIPTION
RCO-3600	Advanced Fanless Embedded System with Intel® 6 <sup>th</sup> /7 <sup>th</sup> Gen Processor and Q170 PCH